

250Ti



SPECIFICATIONS

ACOUSTIC & ELECTRICAL SPECIFICATIONS:

- Rated Impedance: 8 ohms
- Power Range: (Max) 400 Watts
- Frequency Response: 30-27 kHz
- Sensitivity: 90 dB*
- Crossover Frequencies: 400 Hz, 1.4 kHz, 5.2 kHz

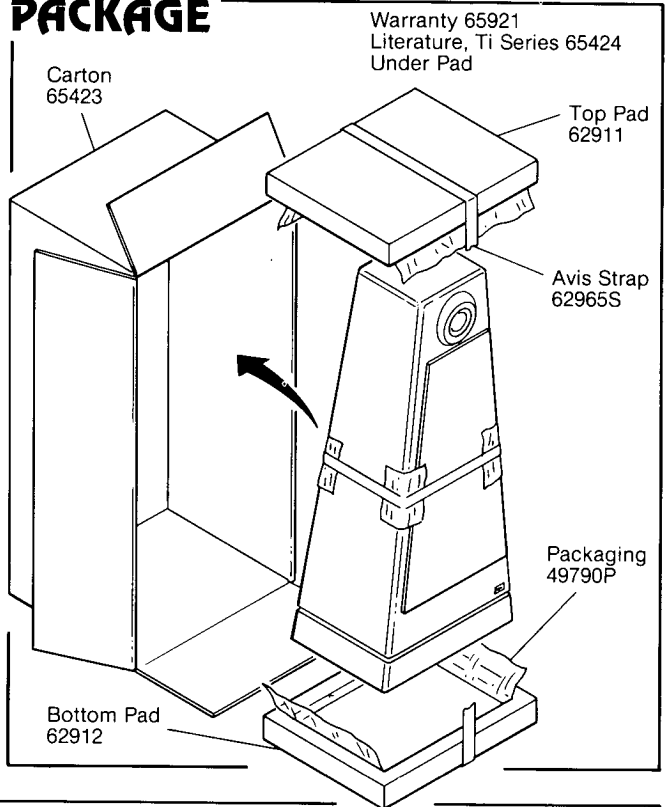
SYSTEM COMPONENTS:

- Cabinet: C250Ti
- Grille: G250Ti
- Low Frequency: LE14H-1, 14" Aquaplas Laminate
- Lower Mid Range Frequency: 108H, 8" Filled Aquaplas Laminate
- Mid Range Frequency: 104H, 5" Filled Polypropylene
- High Frequency: 044Ti, 1" Titanium Dome
- Crossover Network: N250Ti, 4 Way

PHYSICAL SPECIFICATIONS:

- Enclosure Dimensions: 52.0 x 22.5 x 14.25 (Inch)
- Shipping Weight: 150 lbs.
- *SPL, 2.83V @ 1m

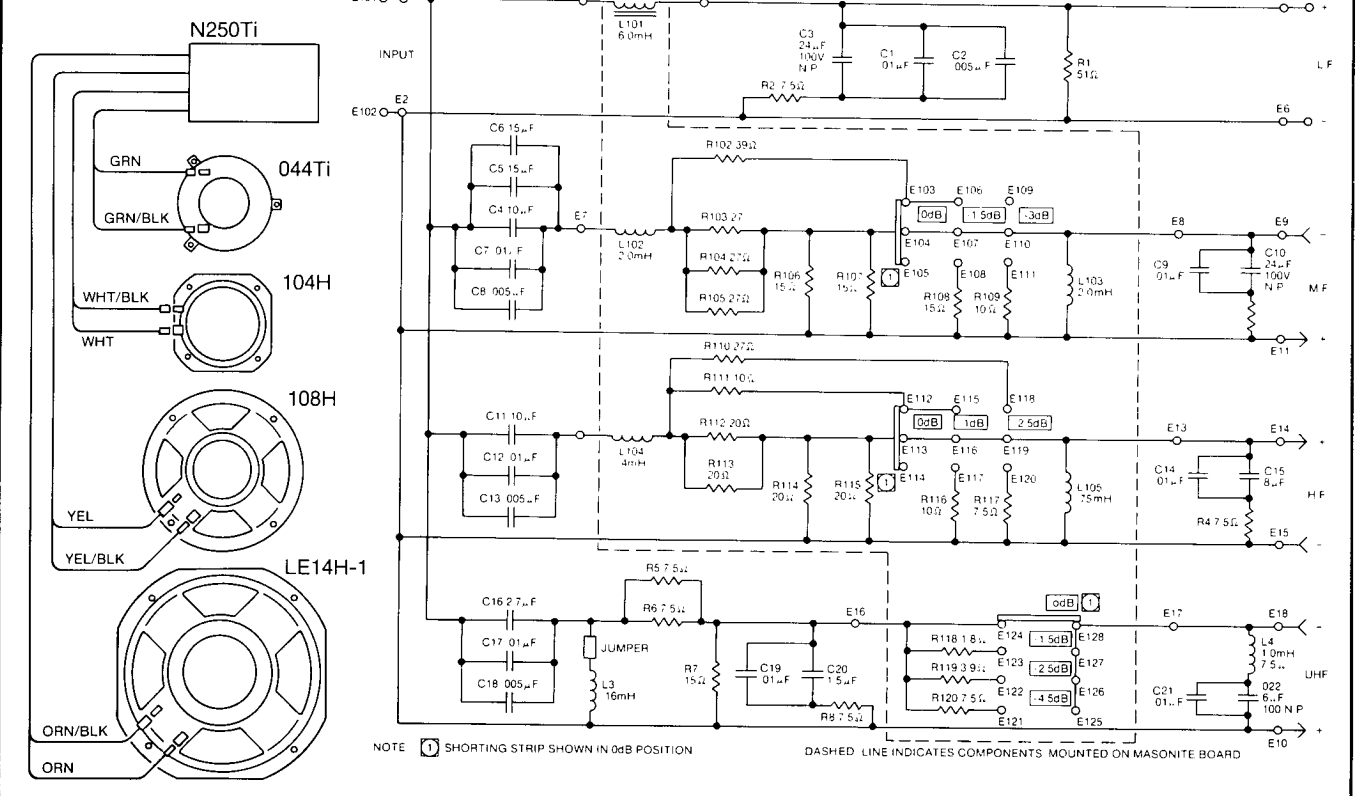
PACKAGE



WIRING DIAGRAM

(NETWORK ASSY DWG: 65422)

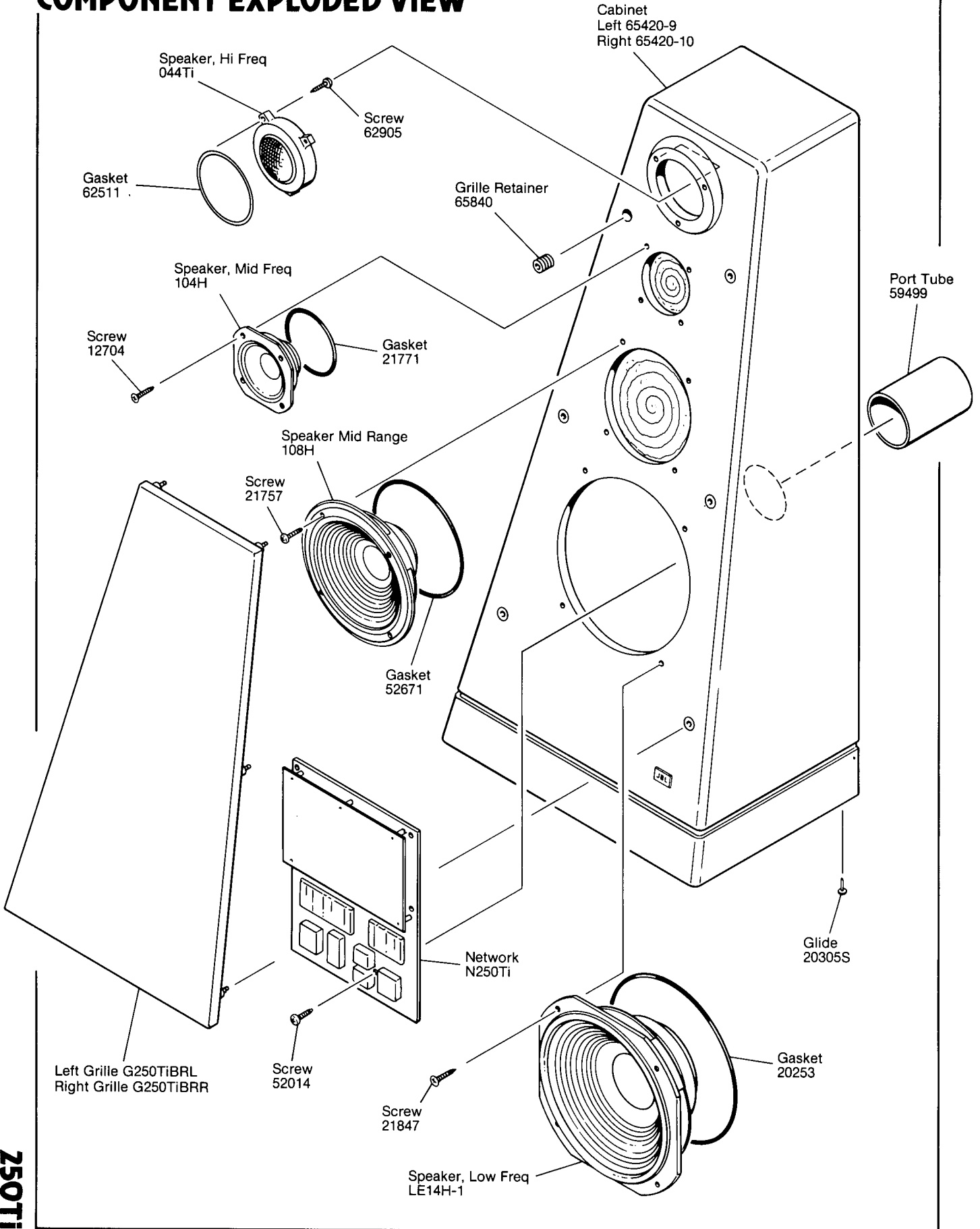
SCHEMATIC N250Ti



DRIVER	TEST VOLTAGE	SWEEP FREQUENCY	GAP GAUGE	DCR MIN-MAX.
044Ti	2.83	2KHZ-20KHZ	031"	3.6-4.4 OHMS
104H	4	7.5KHZ-12KHZ	044"	3.8-4.6 OHMS
108H	8	20HZ-1.2KHZ	051"	4.7-5.8 OHMS
LE14H-1	10	20HZ-1.2KHZ	053"	5.4-6.8 OHMS

250Ti

COMPONENT EXPLODED VIEW



250Ti