



250Ti BQ

SPECIFICATIONS

ACOUSTIC & ELECTRICAL SPECIFICATIONS:

- Nominal Impedance: 6 ohm
- Max Recommended Amplifier Power: 400W
- Frequency Response: 30-25 kHz
- Sensitivity: 89 dB SPL*
- Crossover Frequencies: 350 Hz, 1.2 kHz, 5.5 kHz

SYSTEM COMPONENTS:

- Cabinet: C250Ti (Not For Sale)
- Grille: G250Ti
- Low Frequency Transducer: LE14H-1 (14 in.) 360mm Aquaplas Laminate
- Mid Frequency Transducer: 108H (8 in.) 200mm Aquaplas Laminate
- Mid Frequency Transducer: 104H (5 in.) 130mm Filled Polypropylene
- High Frequency Transducer: 035TiA-1 (1 in.) 25mm Pure Titanium Diaphragm
- Crossover Network: N250Ti BQ

PHYSICAL SPECIFICATIONS:

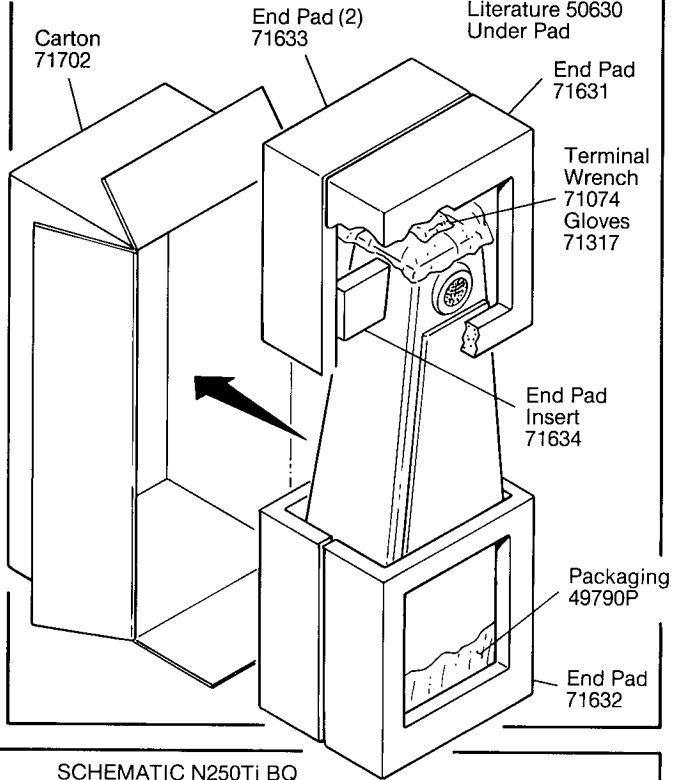
- Enclosure Dimensions: (52.0 x 22.5 x 14.25 in. D)
1321mm x 572mm x 362mm D
- Shipping Weight: 150 lbs. (68 kg)

WARRANTY INFORMATION:

- Refer to the Warranty Statement packed with each product.

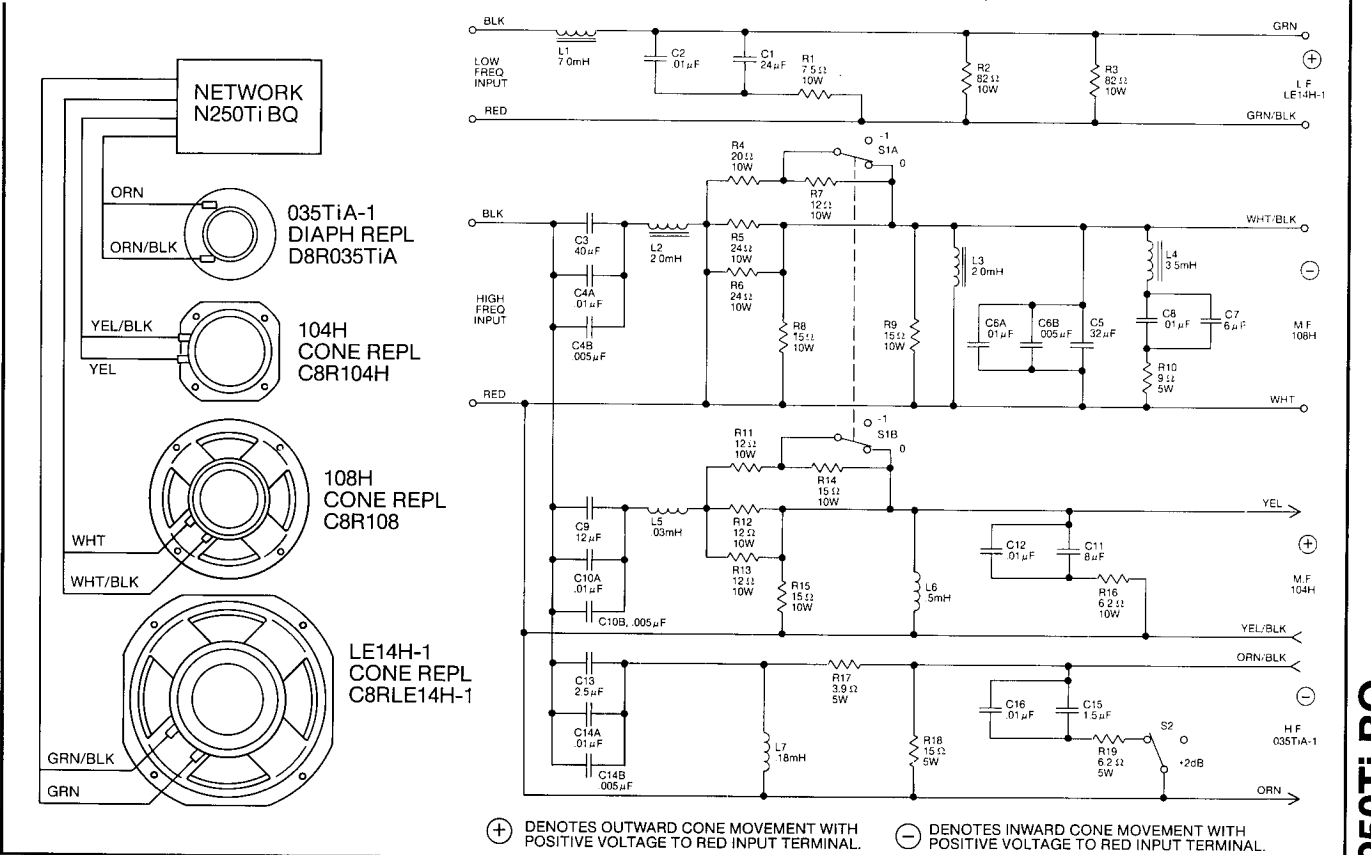
*1 Watt @ 1 Meter

PACKAGE



WIRING DIAGRAM

SCHEMATIC N250Ti BQ

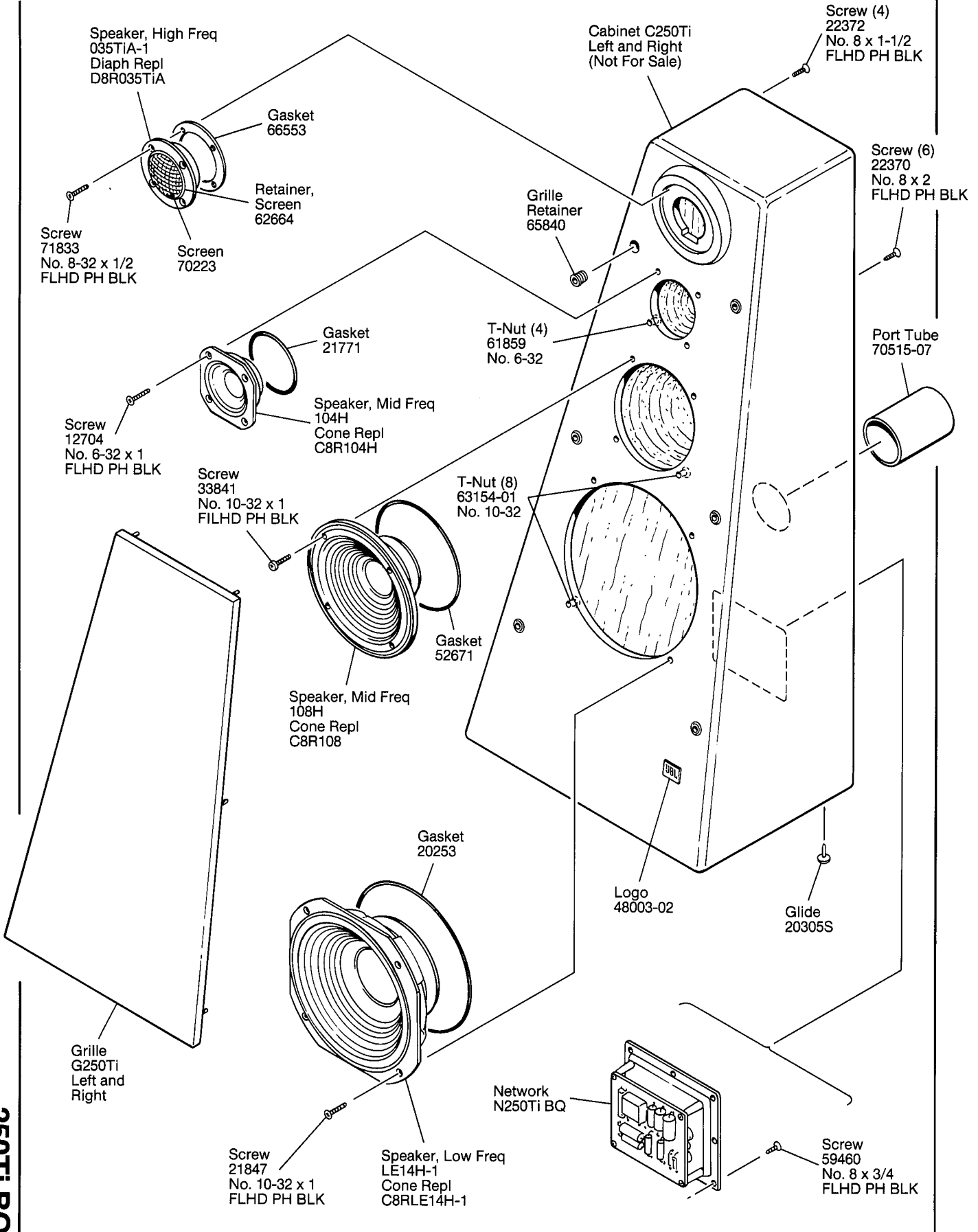


250Ti BQ

| DRIVER | TEST VOLTAGE | SWEEP FREQUENCY | GAP GAUGE | DCR MIN-MAX. |
|----------|--------------|-----------------|-----------|--------------|
| 035TiA-1 | 2.83 | 2KHZ-20KHZ | .031" | 3.5-4.2 OHMS |
| 104H | 4 | 7.5KHZ-12KHZ | .044" | 3.8-4.6 OHMS |
| 108H | 8 | 20HZ-1.2KHZ | .051" | 4.7-5.8 OHMS |
| LE14H-1 | 10 | 20HZ-1.2KHZ | .053" | 5.4-6.6 OHMS |

250Ti BQ

COMPONENT EXPLODED VIEW



250Ti BQ