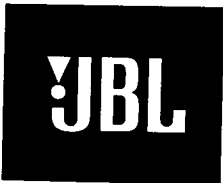


JBL 2500



SPECIFICATIONS

ACOUSTIC & ELECTRICAL SPECIFICATIONS:

- Nominal Impedance: 8 ohm
- Power Rating: 10W to 80W
- Frequency Response: 90 Hz to 23 kHz
- Sensitivity: 88 dB SPL*
- Crossover Frequencies: 3 kHz

SYSTEM COMPONENTS:

- Cabinet: 70652 (Santa Rosa Oak)
70652-01 (Blk Ash)
- Grille: 70653

*1 Watt (2.83 V RMS) @ 1 Meter

SYSTEM COMPONENTS: (cont'd)

- Low Frequency Transducer: 134mm (5.25 in.) High Polymer Laminate (305G-3A-1)
- High Frequency Transducer: 12mm (½ in.) Pure Titanium Dome (Ultra 1230) (70740)
- Crossover Network: 70560

PHYSICAL SPECIFICATIONS:

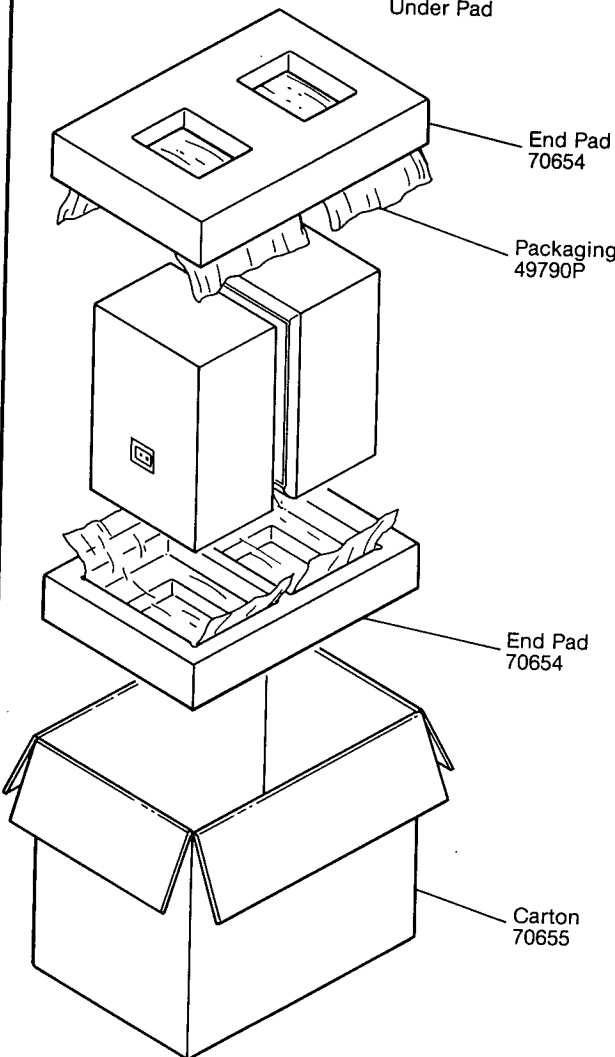
- Enclosure Dimensions: 315mm x 203mm x 162mm D
(12.375 x 8.0 x 6.375 in. D)
- Shipping Weight: 8 lbs.

WARRANTY INFORMATION:

- Refer to the Warranty Statement packed with each product.

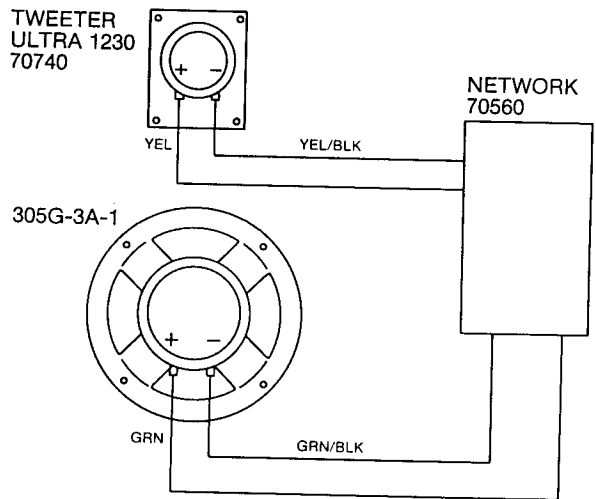
PACKAGE

Warranty 68566
Specification Sheet 70737
Under Pad

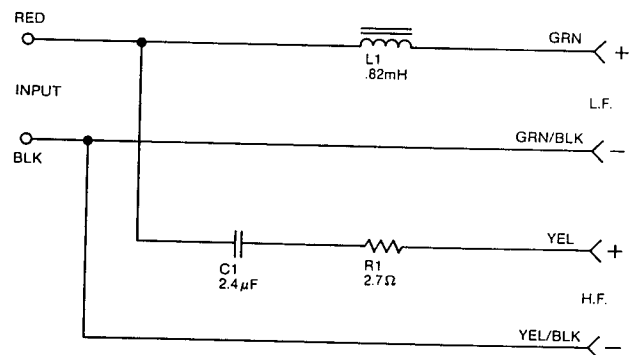


WIRING DIAGRAM

(NETWORK ASSY PART NO. 70560)



SCHEMATIC JBL 2500



NOTE: Individual parts for the above crossover are not available. A complete replacement assembly should be ordered.

JBL 2500 REV A

DRIVER	TEST VOLTAGE	SWEEP FREQUENCY	DCR MIN-MAX.
70740	2.83	5KHZ-20KHZ	5.5-6.5 OHMS
305G-3A-1	4	200HZ-1.2KHZ	3.8-4.2 OHMS

JBL 2500

COMPONENT EXPLODED VIEW

