

Technical Manual



JBL 2426H/J

SPECIFICATIONS

ACOUSTIC & ELECTRICAL SPECIFICATIONS:

- Nominal Impedance: 8 ohm (H) / 16 ohm (J)
- Power Capacity: 70W Continuous Program Above 800 Hz
100W Continuous Program Above 1.2 kHz
- Frequency Range: 500 Hz to 20 kHz
- Sensitivity: 110 dB SPL* - On-Axis On Horn²
117 dB SPL* - On Plane Wave Tube³
- Crossover Frequencies: 800 Hz or Higher

SYSTEM COMPONENTS:

- Cabinet: N/A
- Grille: N/A
- High Frequency Transducer: 44mm (1-3/4 in.) Pure Titanium Diaphragm Compression Driver (2426H/J)
- DC Resistance: 3.2 ohm ±8% Aluminum Wire (H)
6.25 ohm ±8% Aluminum Wire (J)

AURAL SWEEP TEST SPECIFICATIONS:

A. H.F. Aural Sweep Test: 2.83V Input, 550 Hz to 1.2 kHz

PHYSICAL SPECIFICATIONS:

- Enclosure Dimensions: 149mm x 149mm x 104mm D
(5.875 x 5.875 x 4.12 in. D)
- Shipping Weight: 10 lbs. (4.5 kg.)

WARRANTY INFORMATION:

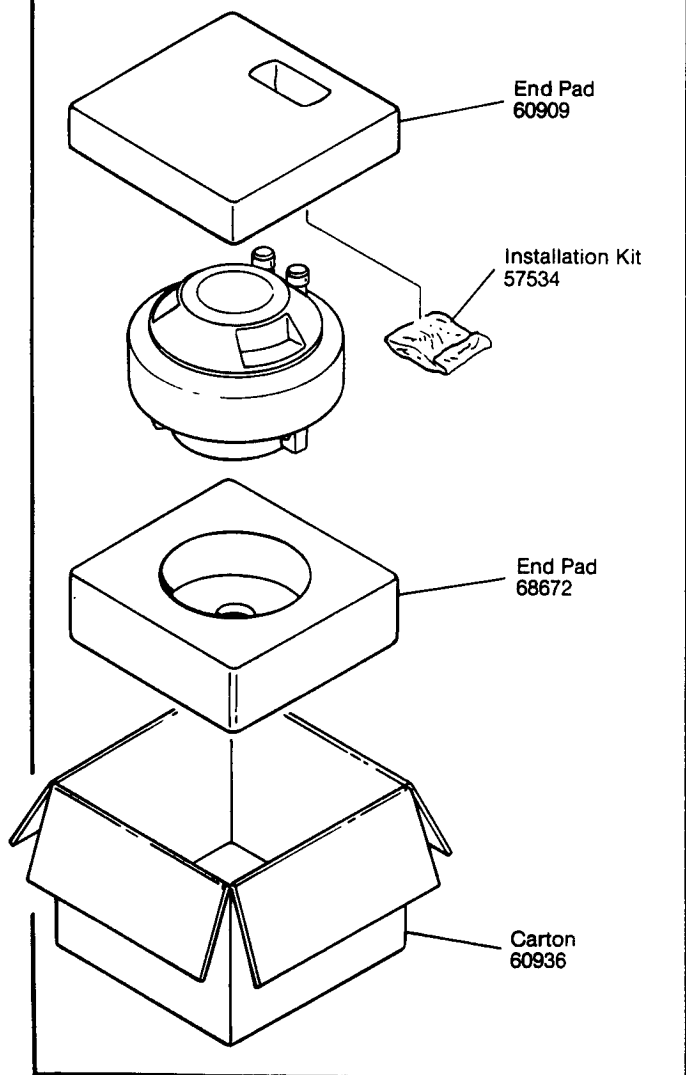
- Refer to the Warranty Statement packed with each product.

*1 Watt (2.83 V RMS) @ 1 Meter (H)

*1 Watt (4.0 V RMS) @ 1 Meter (J)

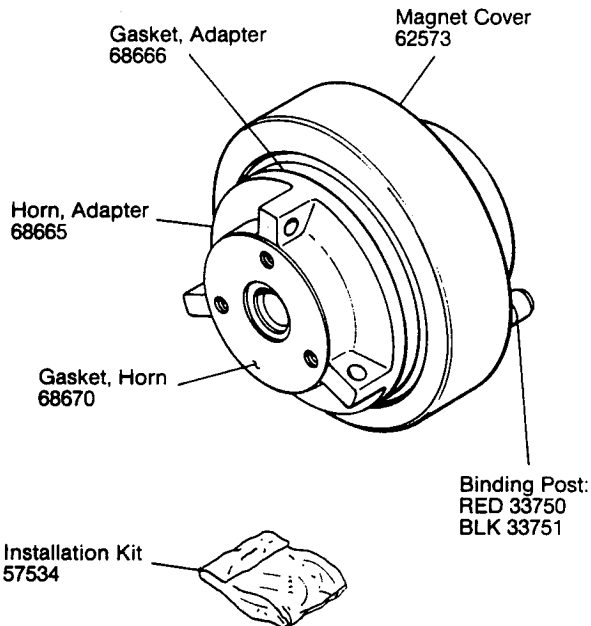
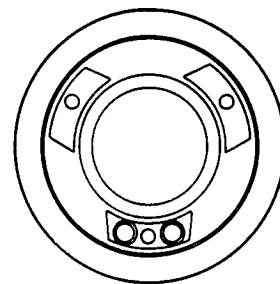
PACKAGE

Warranty 59660
Specification Sheet SS2426



COMPONENT VIEW

Speaker, High Freq
2426H/J
Diaph Repl
D8R2425 (H)
D16R2425 (J)

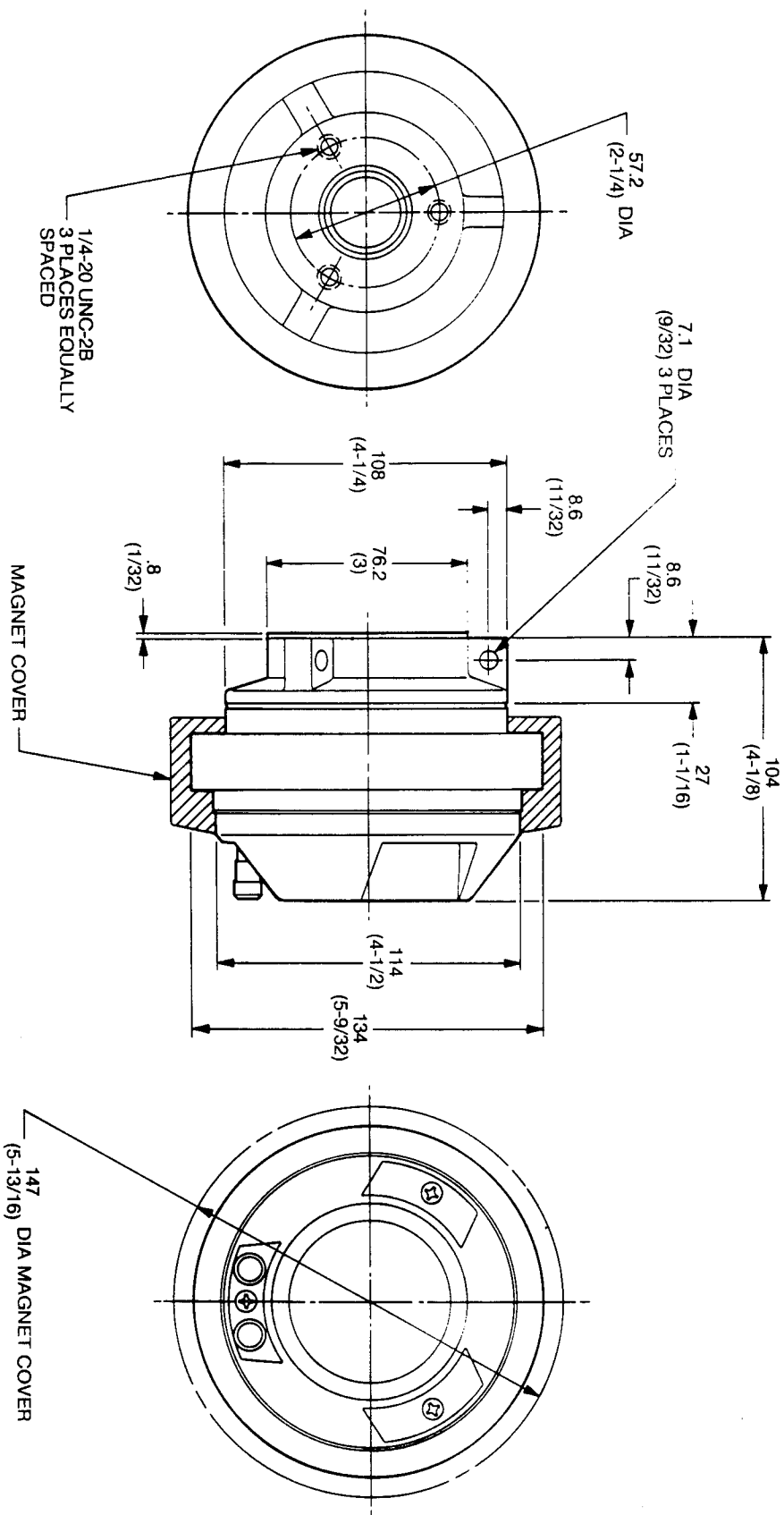


NOTE: POSITIVE VOLTAGE TO BLACK TERMINAL GIVES FORWARD DIAPHRAGM MOTION

JBL 2426H/J

MECHANICAL DRAWING

THESE DRAWINGS AND SPECIFICATIONS ARE THE PROPERTY OF JBL INCORPORATED. THEY ARE ISSUED UNDER THE CONFIDENTIAL AND PROPRIETARY POLICY OF JBL INCORPORATED. NO PART OF THIS DRAWING OR SALE OF APPARATUS WITHOUT WRITTEN PERMISSION.



ALL DIMENSIONS ARE REF. ONLY
NOTE: DIMENSIONS IN () ARE IN INCHES