

240Ti



SPECIFICATIONS

ACOUSTIC & ELECTRICAL SPECIFICATIONS:

- Rated Impedance: 8 ohms
- Power Range: (Max) 300 Watts Per Channel
- Frequency Response: 30-27 kHz
- Sensitivity: 89 dB*
- Crossover Frequencies: 900 Hz, 4 kHz

SYSTEM COMPONENTS:

- Cabinet: C240Ti
- Grille: G240Ti
- Low Frequency: LE14H-1, 14" Aquaplas Laminate

SYSTEM COMPONENTS: (cont'd)

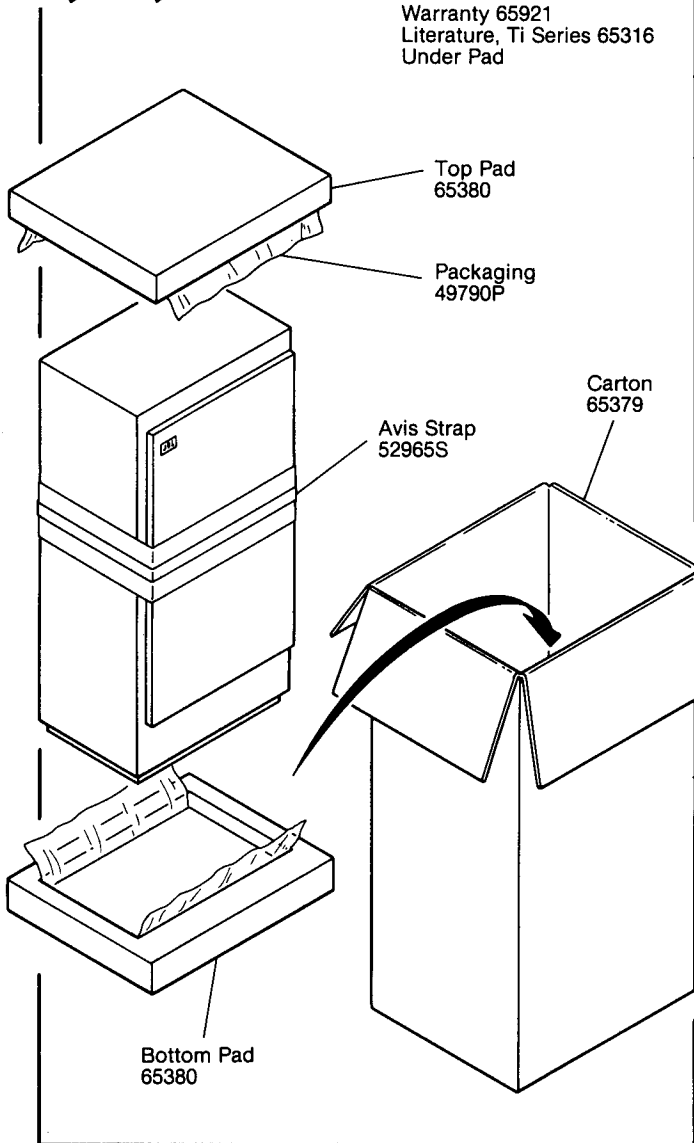
- Mid Range Frequency: 104H, 5" Filled Polypropylene
- High Frequency: 044Ti, 1" Titanium Dome
- Crossover Network: N240Ti, 3 Way

PHYSICAL SPECIFICATIONS:

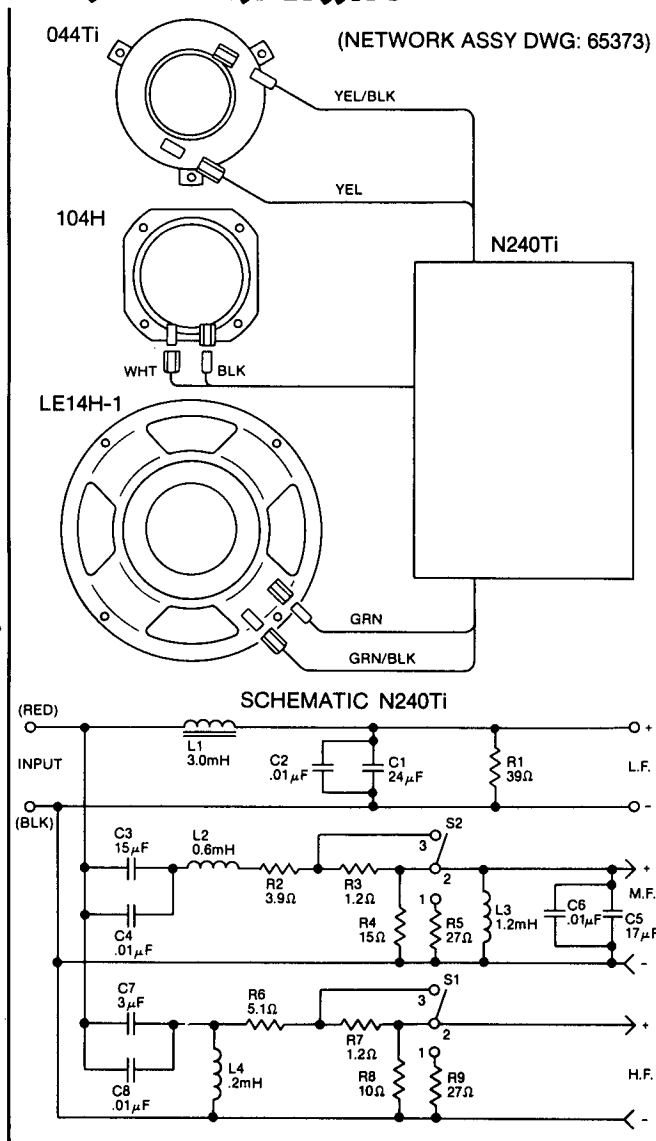
- Enclosure Dimensions: 36.625 x 18.0 x 12.0 (Inch)
- Shipping Weight: 85 lbs.

*SPL, 2.83V @ 1m

PACKAGE



WIRING DIAGRAM



DRIVER	TEST VOLTAGE	SWEEP FREQUENCY	GAP GAUGE	DCR MIN-MAX.
044Ti	2.83	2KHZ-20KHZ	.031"	3.6-4.4 OHMS
104H	4	7.5KHZ-12KHZ	.044"	3.8-4.6 OHMS
LE14H-1	10	20HZ-1.2KHZ	.053"	5.4-6.6 OHMS

240Ti

COMPONENT EXPLODED VIEW

