

Technical Manual



JBL 2402H

SPECIFICATIONS

ACOUSTIC & ELECTRICAL SPECIFICATIONS:

- Nominal Impedance: 8 ohm
- Power Capacity: 40W Continuous Program
- Frequency Range: 2.5 kHz to 15 kHz (-10 dB)
- Sensitivity: 110 dB SPL*
- Crossover Frequencies: 2.5 kHz or Higher

SYSTEM COMPONENTS:

- Cabinet: N/A
- Grille: N/A
- Ultra-High Frequency Transducer: 44mm (1-3/4 in.) Aluminum Diaphragm (2402H)
- DC Resistance: 6.25 ohm ±8% Aluminum Wire

AURAL SWEEP TEST SPECIFICATIONS:

A. H.F. Aural Sweep Test: 1.0V Input, 1.0 kHz to 20.0 kHz

PHYSICAL SPECIFICATIONS:

- Enclosure Dimensions: 121mm x 121mm x 98mm D (4.75 x 4.75 x 3.875 in. D)
- Shipping Weight: 5-3/4 lbs. (2.6 kg.)

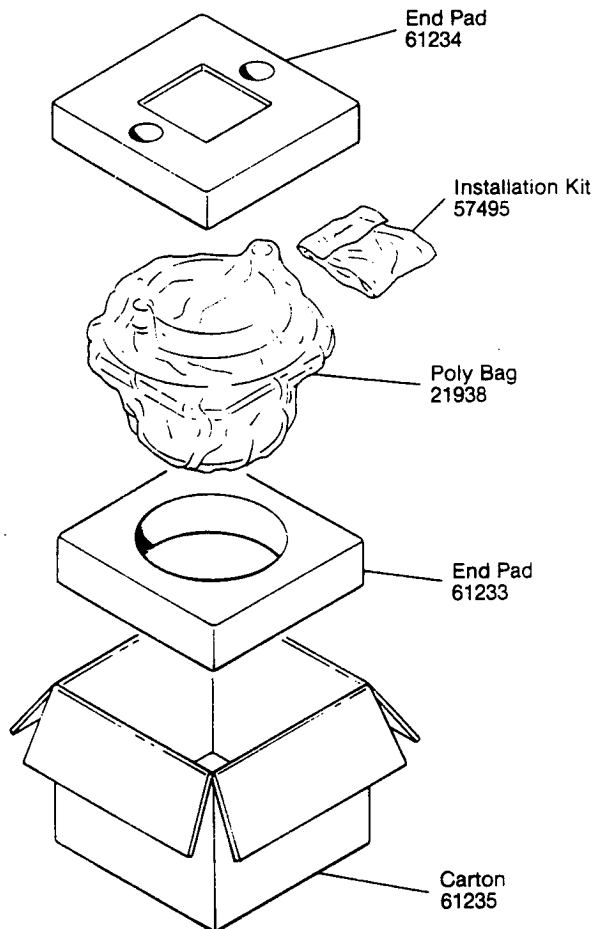
WARRANTY INFORMATION:

- Refer to the Warranty Statement packed with each product.

*1 Watt (2.83 V RMS) @ 1 Meter

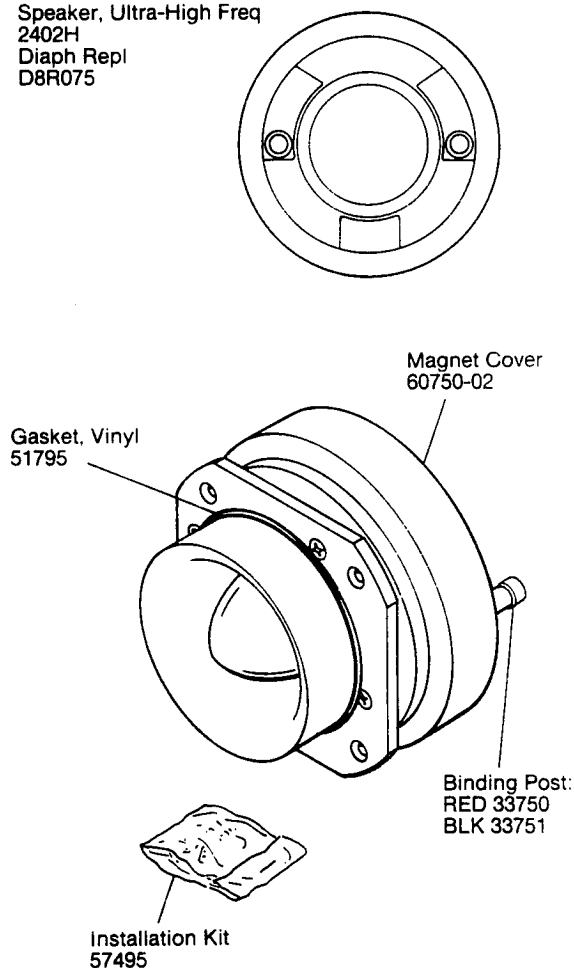
PACKAGE

Warranty 59660
Specification Sheet SS2402H



COMPONENT VIEW

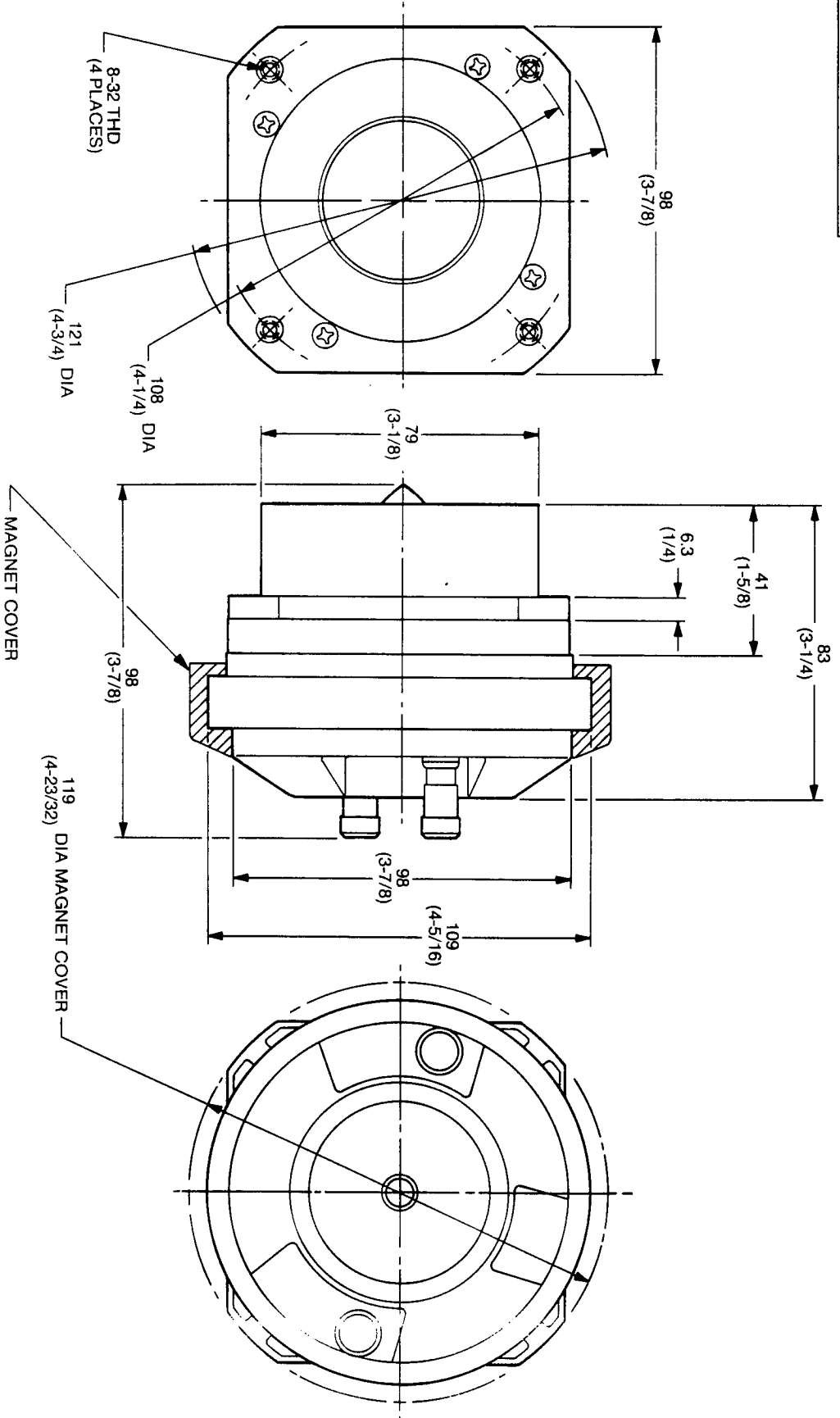
Speaker, Ultra-High Freq
2402H
Diaph Repl
D8R075



JBL 2402H

MECHANICAL DRAWING

THESE DRAWINGS AND SPECIFICATIONS ARE THE PROPERTY OF JBL INCORPORATED. THEY ARE ISSUED WITHOUT WARRANTY AND SHALL BE RETURNED TO THE SUPPLIER UPON REQUEST. NO REPRODUCTION OR SALE OF APPARATUS WITHOUT WRITTEN PERMISSION.



ALL DIMENSIONS ARE REF. ONLY
NOTE: DIMENSIONS IN () ARE IN INCHES

JBL 2402H