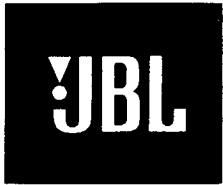


# Technical Manual



# JBL 2220H/J

## SPECIFICATIONS

### ACOUSTIC & ELECTRICAL SPECIFICATIONS:

- Nominal Impedance: 8 ohm (H)  
16 ohm (J)
- Power Capacity: 200W Continuous Program
- Frequency Range: 40 Hz to 2 kHz
- Sensitivity: 101 dB SPL\*
- Crossover Frequencies: N/A

### SYSTEM COMPONENTS:

- Cabinet: N/A
- Grille: N/A
- Low Frequency Transducer: 380mm (15 in.) Cone Transducer (2220H/J)

\*1 Watt (2.83 V RMS) @ 1 Meter

### SYSTEM COMPONENTS: (cont'd)

- DC Resistance: 5.8 ohm ±10% Copper Wire (H)  
13.2 ohm ±10% Copper Wire (J)

### AURAL SWEEP TEST SPECIFICATIONS:

- A. System Aural Sweep Test: 7.0V Input, 20 Hz to 20 kHz
- B. L.F. Aural Sweep Test: 14.0V Input, 20 Hz to 1.2 kHz

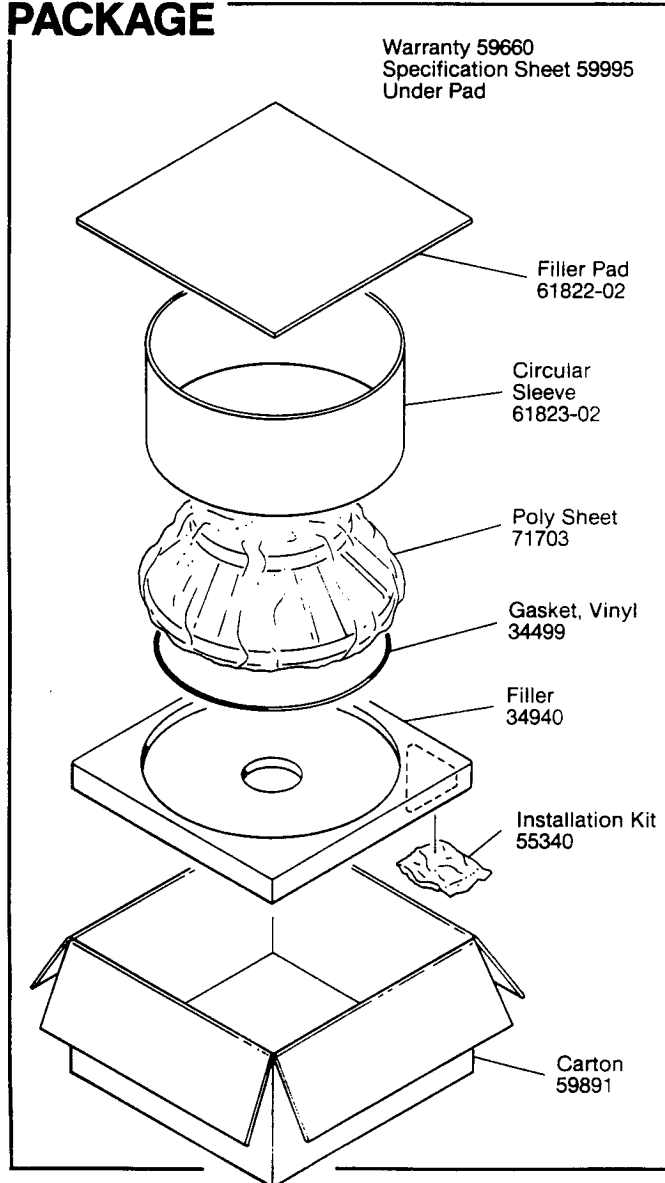
### PHYSICAL SPECIFICATIONS:

- Enclosure Dimensions: 388mm x 388mm x 146mm D  
(15.26 x 15.26 x 5.75 in. D)
- Shipping Weight: 27.75 lbs. (12.6 kg)

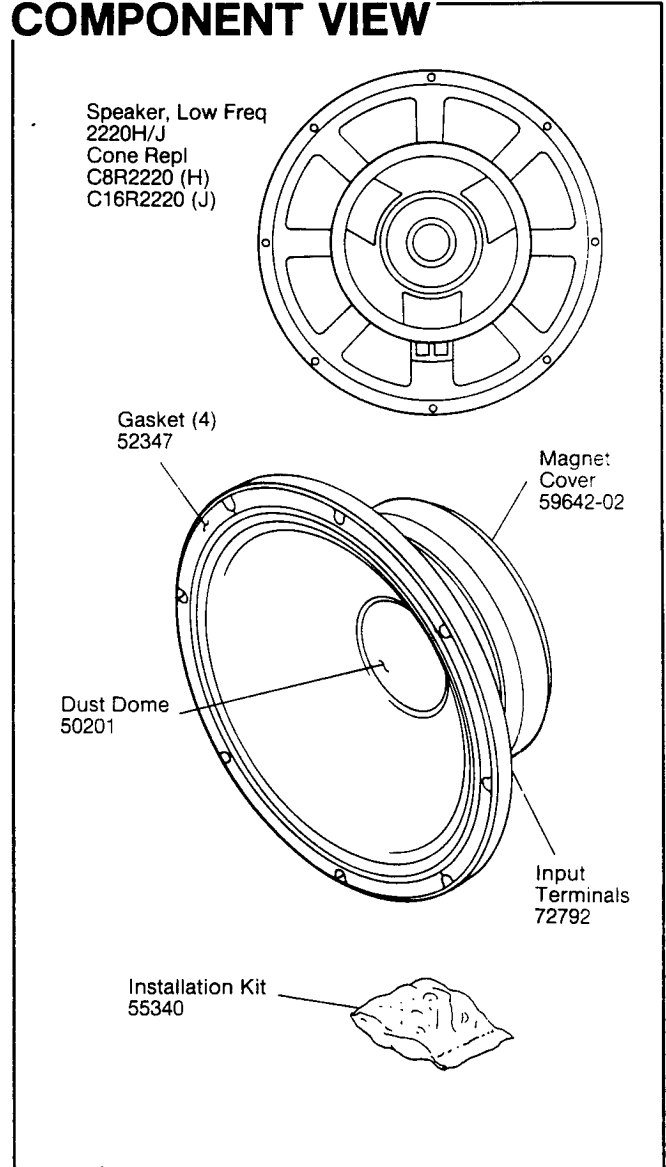
### WARRANTY INFORMATION:

- Refer to the Warranty Statement packed with each product.

## PACKAGE



## COMPONENT VIEW

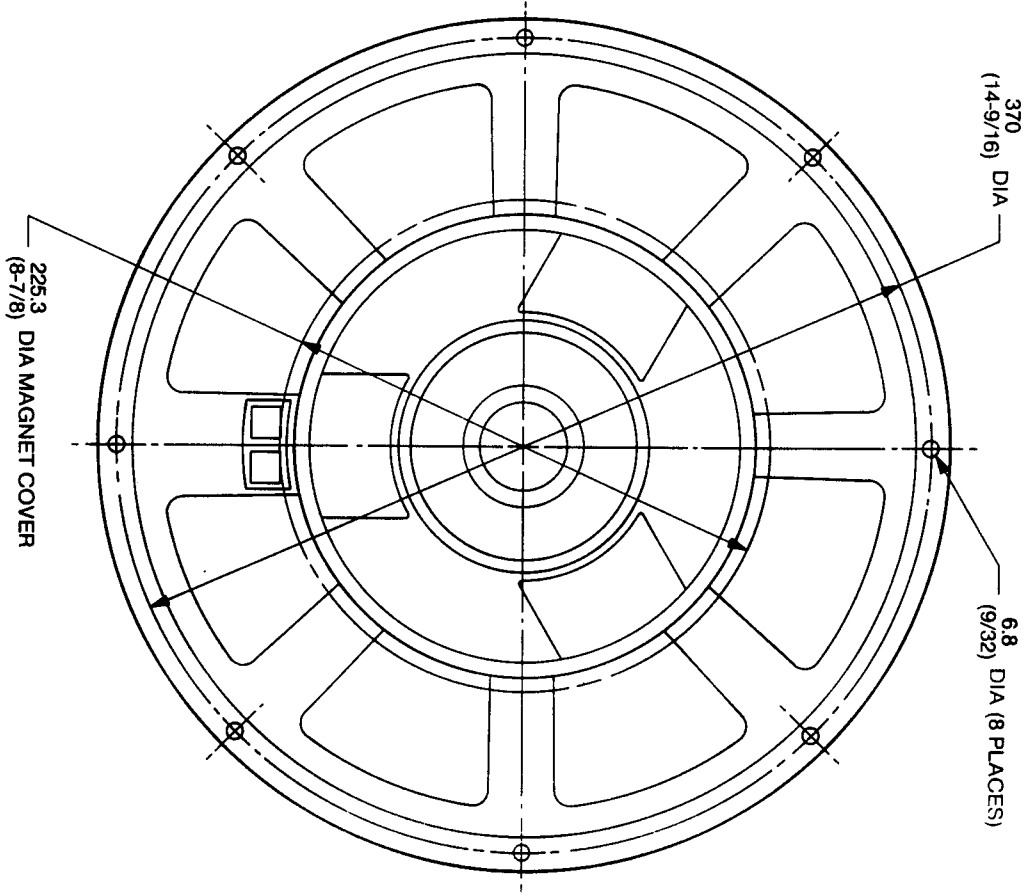
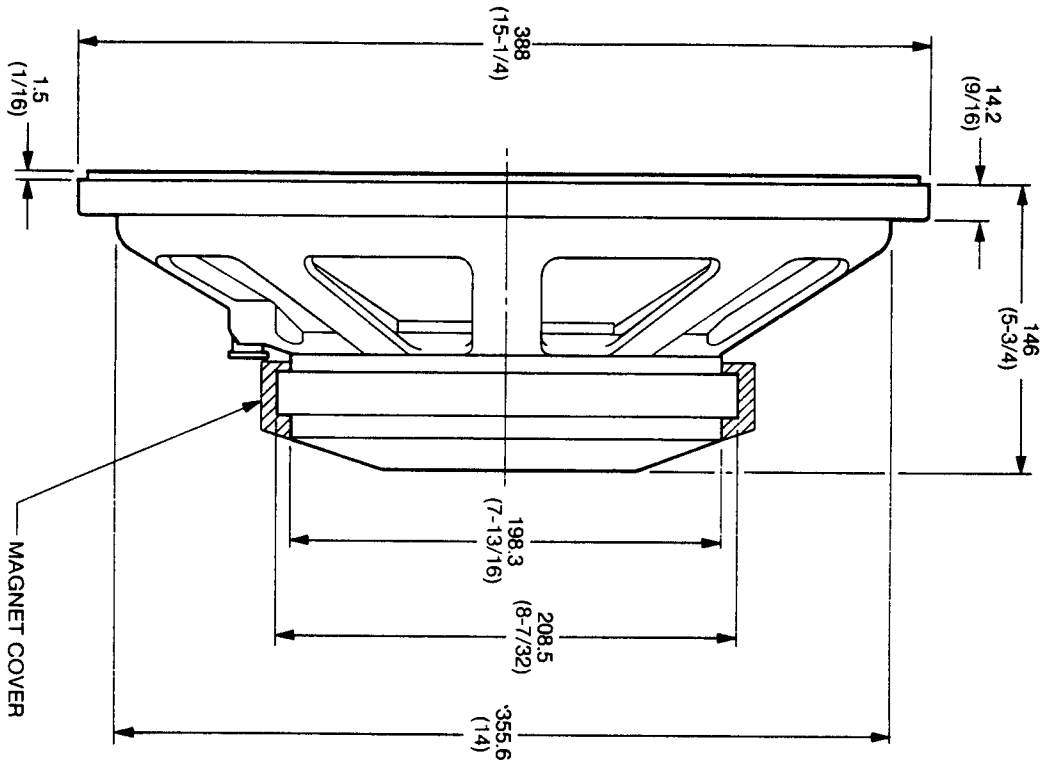


JBL 2220H/J REV A

# JBL2220H/J

## MECHANICAL DRAWING

THESE DRAWINGS AND SPECIFICATIONS ARE THE PROPERTY OF JBL. NO PARTS OF THIS DRAWING OR SPECIFICATIONS SHALL BE REPRODUCED, COPIED, OR USED AS THE BASIS FOR MANUFACTURE OR SALE OF APPLIANCES WITHOUT WRITTEN PERMISSION.



ALL DIMENSIONS ARE REF. ONLY  
NOTE: DIMENSIONS IN ( ) ARE IN INCHES

JBL2220H/J