

# Technical Manual



# JBL2142H

## SPECIFICATIONS

### ACOUSTIC & ELECTRICAL SPECIFICATIONS:

- Nominal Impedance: 8 ohm
- Power Rating: 90W Continuous Pink Noise
- Frequency Range: 60 Hz to 22 kHz (-10dB)
- Sensitivity: 97 dB SPL\*
- Crossover Frequencies: 2.7 kHz

### SYSTEM COMPONENTS:

- Cabinet: N/A
- Grille: N/A
- Low Frequency Transducer: 300mm (12 in.) Co-axial Transducer
- DC Resistance: 5.0 ohm ±10% Copper Wire

\*1 Watt (2.83 V RMS) @ 1 Meter

### SYSTEM COMPONENTS: (cont'd)

- High Frequency Transducer: 50mm (1.95 in.) Pure Titanium Diaphragm Transducer (0175Ti)
- DC Resistance: 3.6 ohm ±10% Copper Wire
- Crossover Network: N2142H (71741)

### AURAL SWEEP TEST SPECIFICATIONS:

- A. System Aural Sweep Test: 7.0V Input, 20 Hz to 20 kHz
- B. L.F. Aural Sweep Test: 6.0V Input, 20 Hz to 1.2 kHz
- C. H.F. Aural Sweep Test: 2.0V Input, 2.0 kHz to 20 kHz

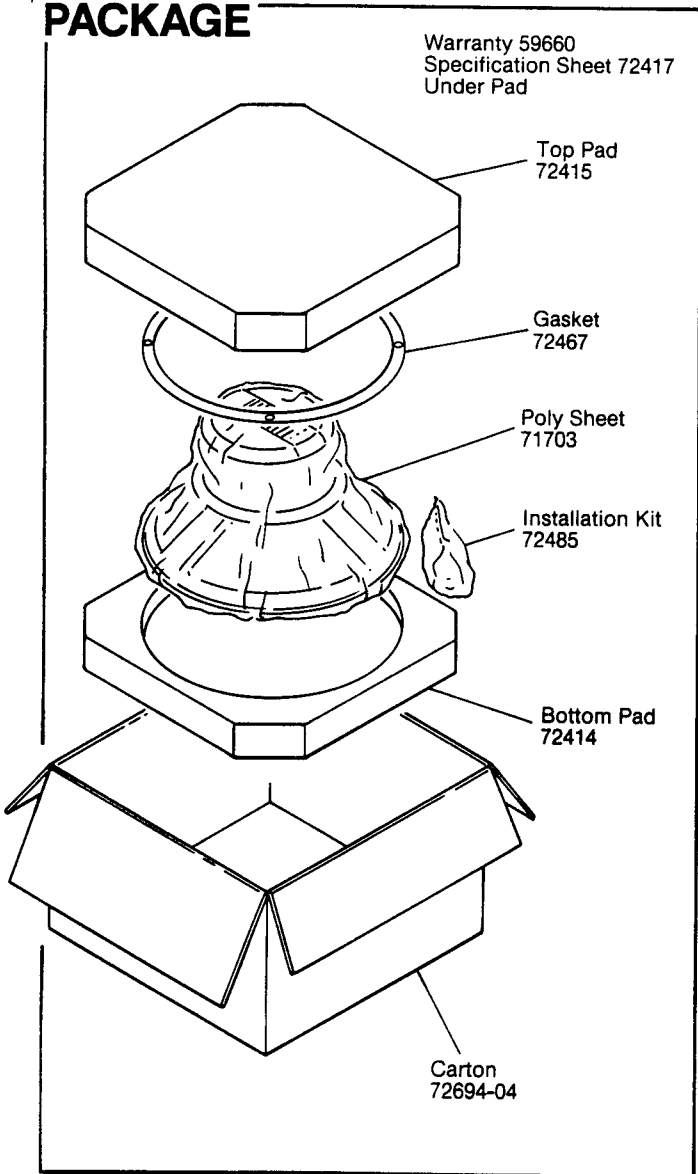
### PHYSICAL SPECIFICATIONS:

- Enclosure Dimensions: 311mm x 323mm x 176mm (12.25 x 12.75 x 6.93 in. D)
- Shipping Weight: 13.5 lbs. (6.2 kg)

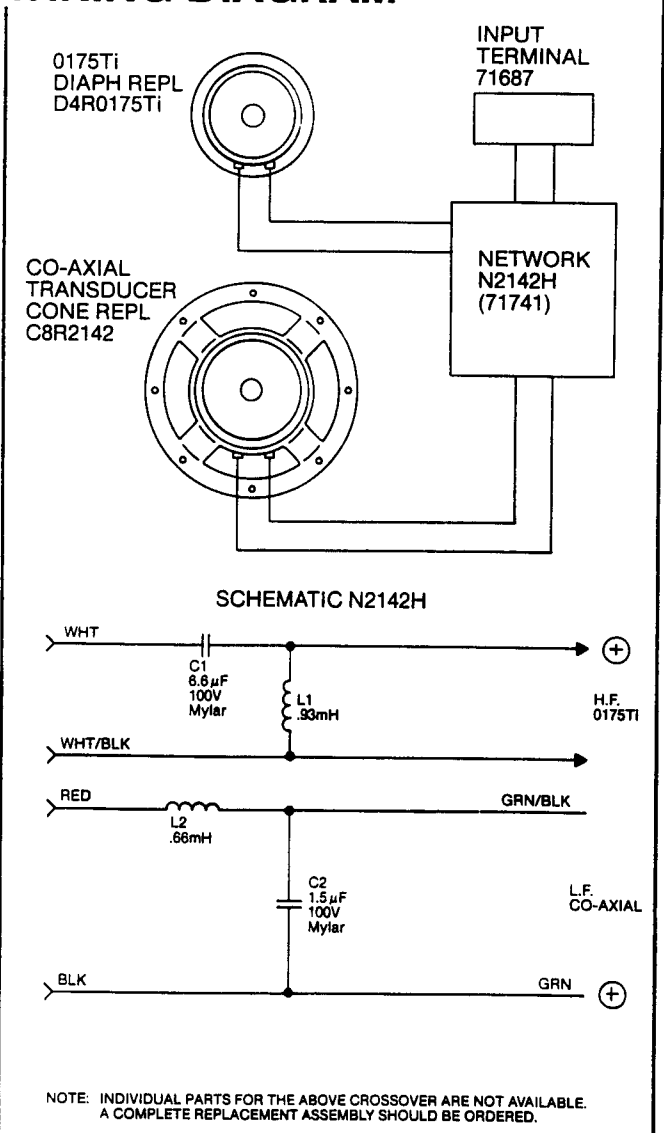
### WARRANTY INFORMATION:

- Refer to the Warranty Statement packed with each product.

## PACKAGE



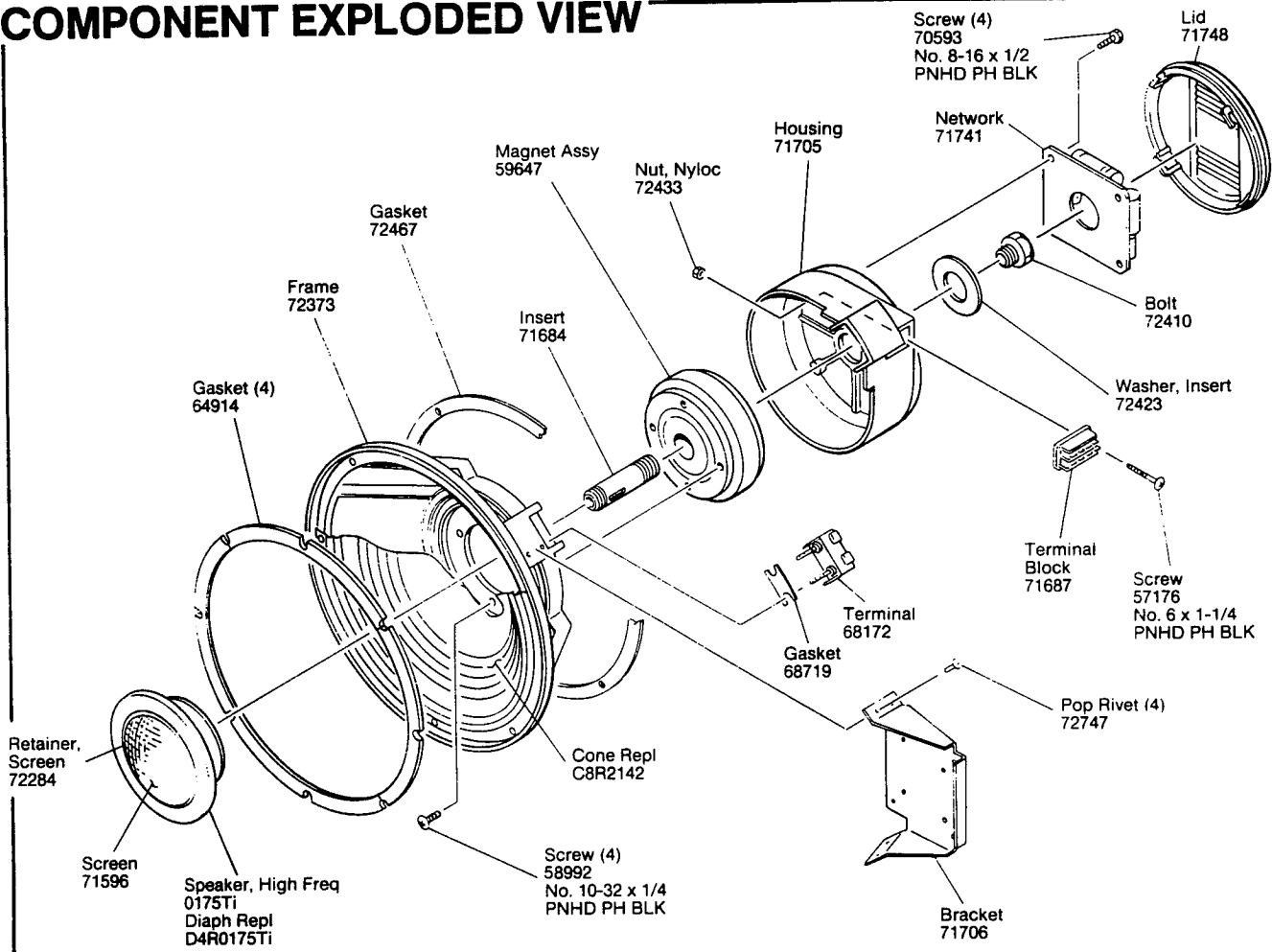
## WIRING DIAGRAM



JBL2142H REV D

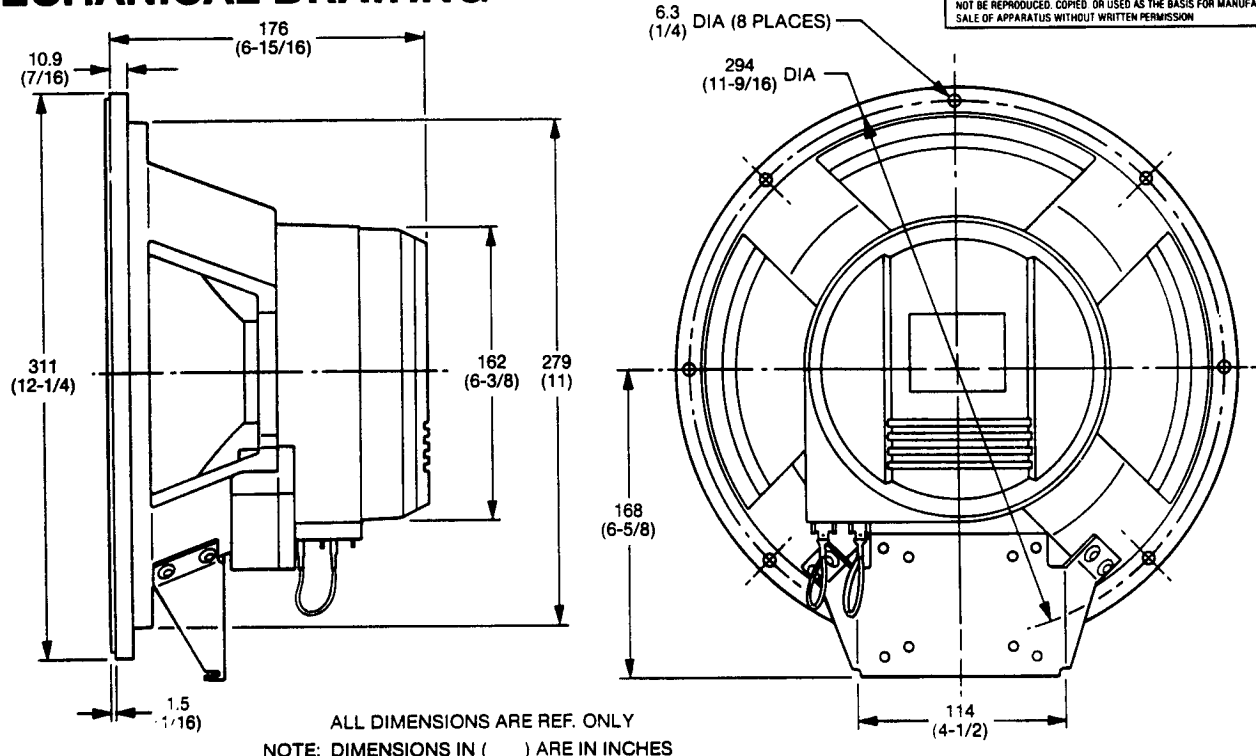
# JBL2142H

## COMPONENT EXPLODED VIEW



## MECHANICAL DRAWING

THESE DRAWINGS AND SPECIFICATIONS ARE THE PROPERTY OF JBL INCORPORATED. THEY ARE ISSUED IN STRICT CONFIDENCE AND SHALL NOT BE REPRODUCED, COPIED, OR USED AS THE BASIS FOR MANUFACTURE OR SALE OF APPARATUS WITHOUT WRITTEN PERMISSION.



ALL DIMENSIONS ARE REF. ONLY  
NOTE: DIMENSIONS IN ( ) ARE IN INCHES

JBL2142H