

Technical Manual



JBL2105H

SPECIFICATIONS

ACOUSTIC & ELECTRICAL SPECIFICATIONS:

- Nominal Impedance: 8 ohm
- Power Capacity: 50W Continuous Program
- Frequency Range: 300 Hz to 15 kHz
- Sensitivity: 94 dB SPL*
- Crossover Frequencies: N/A

SYSTEM COMPONENTS:

- Cabinet: N/A
- Grille: N/A
- Speech Range Transducer: 130mm (5 in.) Cone Transducer (2105H)
- DC Resistance: 6.1 ohm ±5% Copper Wire

AURAL SWEEP TEST SPECIFICATIONS:

- A. L.F. Aural Sweep Test: 4.0V Input, 75 Hz to 3.0 kHz

PHYSICAL SPECIFICATIONS:

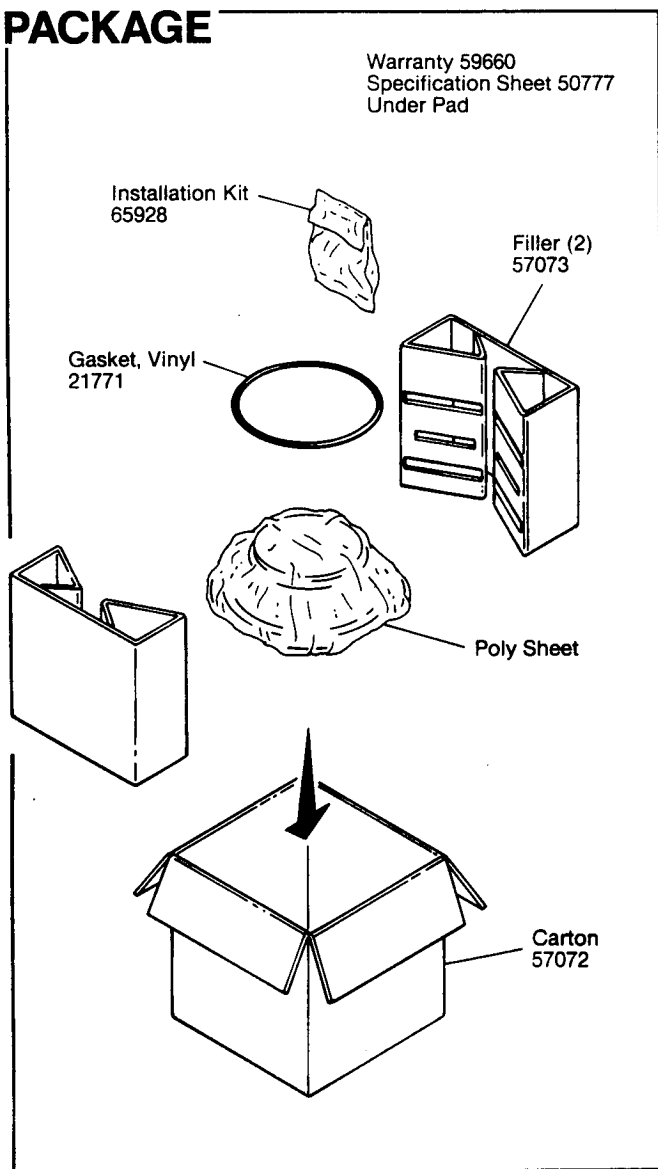
- Enclosure Dimensions: 130mm x 130mm x 46mm D (5.12 x 5.12 x 1.81 in. D)
- Shipping Weight: 3 lbs. (1.4 kg)

WARRANTY INFORMATION:

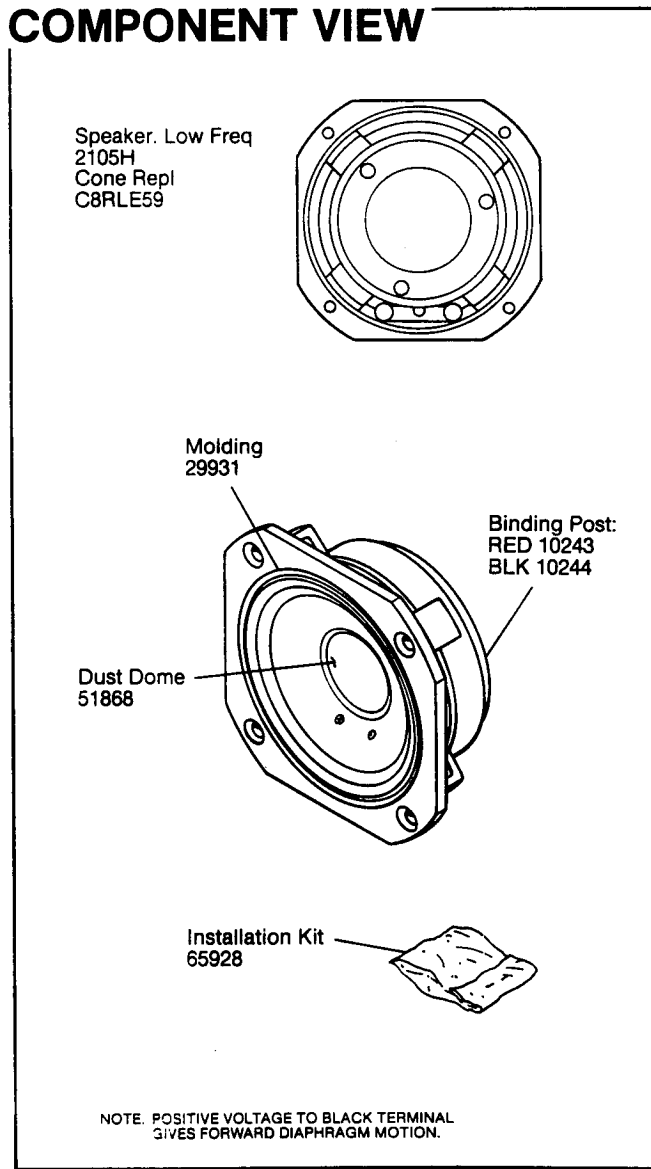
- Refer to the Warranty Statement packed with each product.

*1 Watt (2.83 V RMS) @ 1 Meter

PACKAGE



COMPONENT VIEW

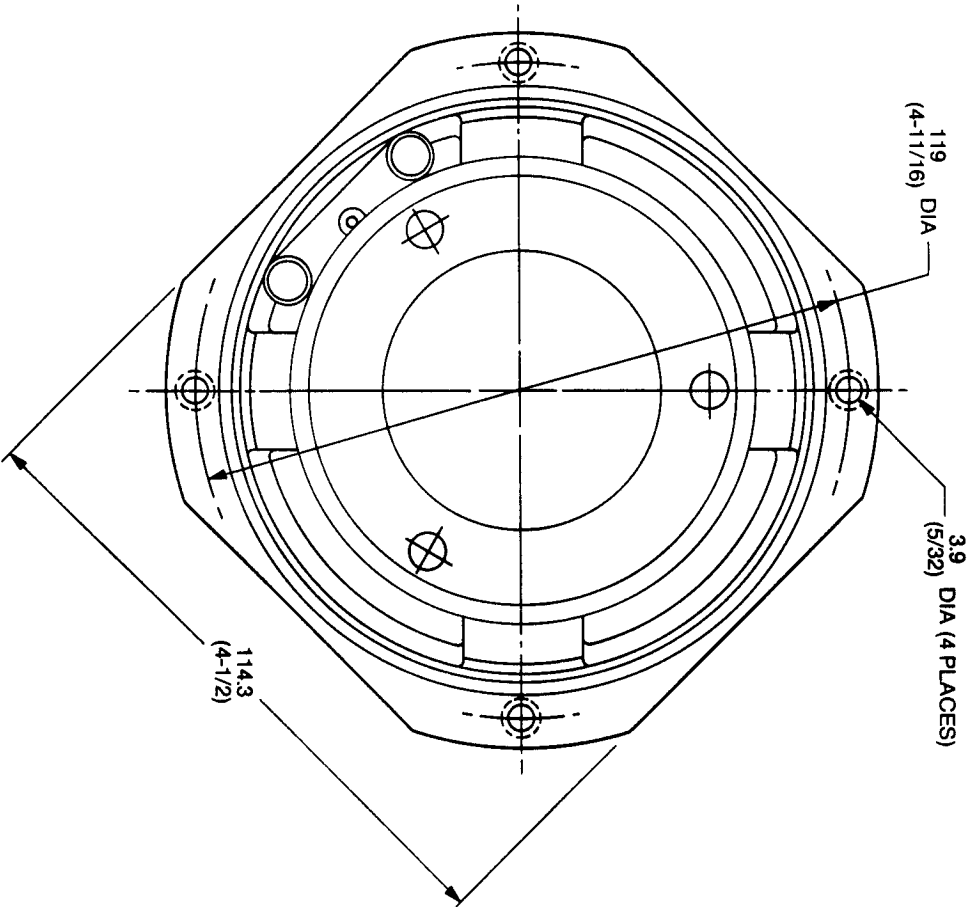
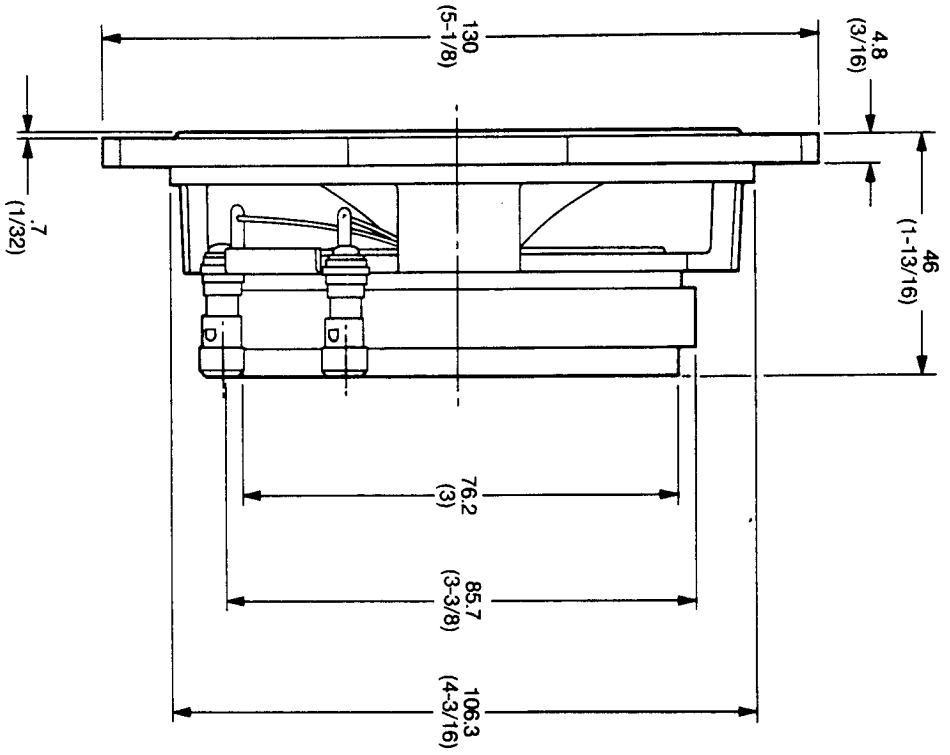


JBL2105H REV B

JBL2105H

MECHANICAL DRAWING

THESE DIMENSIONS AND SPECIFICATIONS ARE THE PROPERTY OF JBL INCORPORATED. THEY ARE ISSUED IN STRICT CONFIDENCE AND SHALL NOT BE REPRODUCED, COPIED, OR USED AS THE BASIS FOR MANUFACTURE OR SALE OF APPARATUS WITHOUT WRITTEN PERMISSION.



ALL DIMENSIONS ARE REF. ONLY
NOTE: DIMENSIONS IN () ARE IN INCHES

JBL2105H