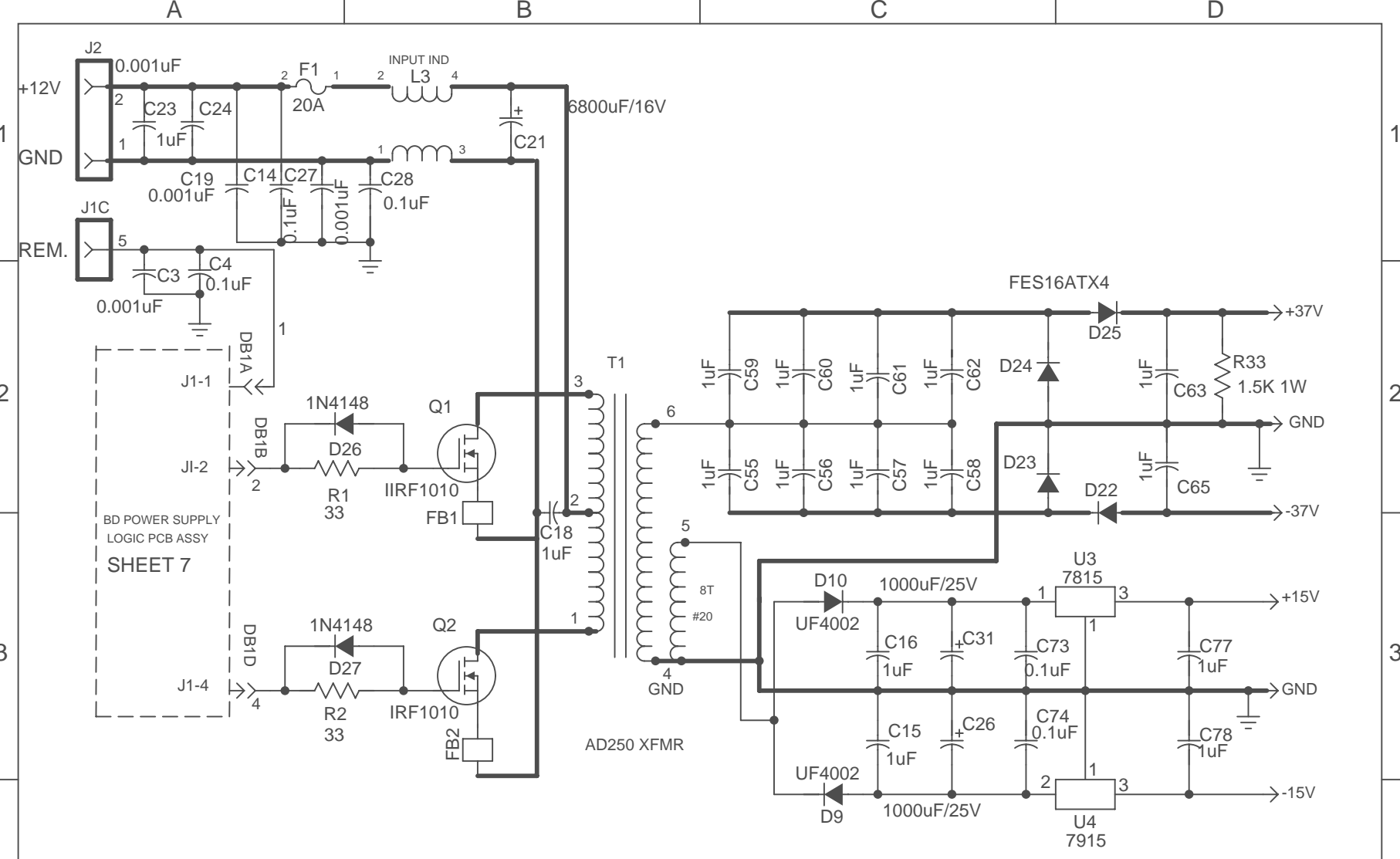


BD-50 BLOCK DIAGRAM

This document is property of harman consumer manufacturing, EL PASO. not to be reproduced or used for manufacturing purposes except on harman order on prior consent

harman consumer manufacturing, EL PASO.
 DESIGNED BY: INFINITY SYSTEMS, INC.
 CHECKED BY: V. CAMPOS
 RELEASED BY: M. RODRIGUEZ
 DOCUMENT CONTROL: FRED COOLEY

Title			BD-50 BLOCK DIAGRAM		
Size	Number	Rev			
B	ZD0210	04			
Date	06/17/97	Drawn by	R. MACIAS		
Filename	ZD0210-4.S01	Sheet	1 of 8		

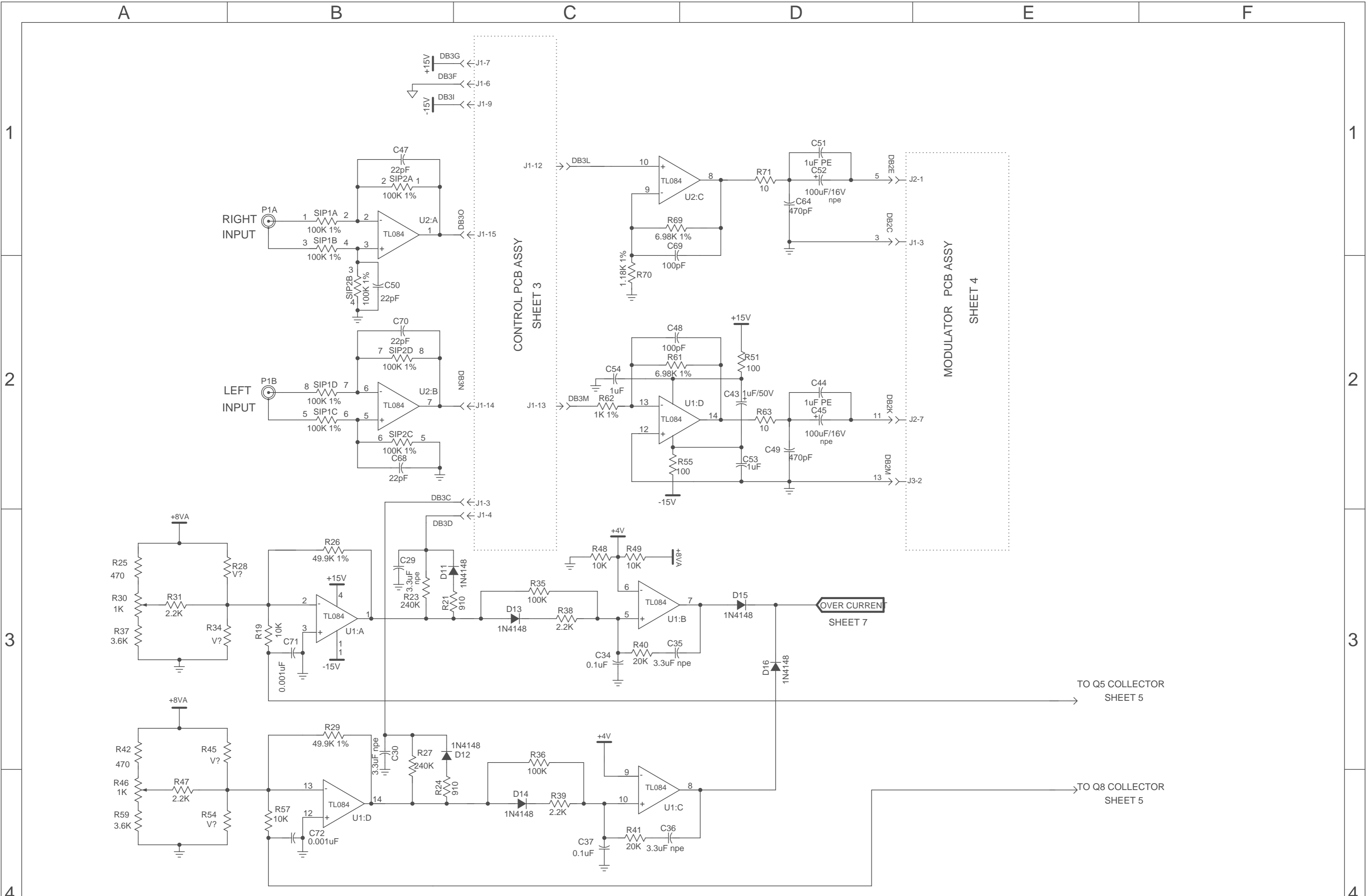


BD POWER SUPPLY
LOGIC PCB ASSY
SHEET 7

This document is property of harman consumer manufacturing, EL PASO. not to be reproduced or used for manufacturing purposes except on harman order on prior consent

harman consumer manufacturing, EL PASO.
DESIGNED BY: INFINITY SYSTEMS, INC.
CHECKED BY: V. CAMPOS
RELEASED BY: M. RODRIGUEZ
DOCUMENT CONTROL: FRED COOLEY

Title			BD-50 POWER SUPPLY	
Size	Number	Rev		
A	ZD0210	04		
Date	06/17/97	Drawn by	R. MACIAS	
Filename	ZD0210-4.S06	Sheet	6 of 8	



This document is property of harman consumer manufacturing, EL PASO. not to be reproduced or used for manufacturing purposes except on harman order on prior consent

harman consumer manufacturing, EL PASO.
 DESIGNED BY: INFINITY SYSTEMS, INC.
 CHECKED BY: V. CAMPOS
 RELEASED BY: M. RODRIGUEZ
 DOCUMENT CONTROL: FRED COOLEY

Title		BD-50 MAIN BOARD	
Size	Number	Rev	
C	ZD0210	04	
Date	06/17/97	Drawn by	R. MACIAS
Filename	ZD0210-4.S02	Sheet	2 of 8

1

1

2

2

3

3

4

4

A

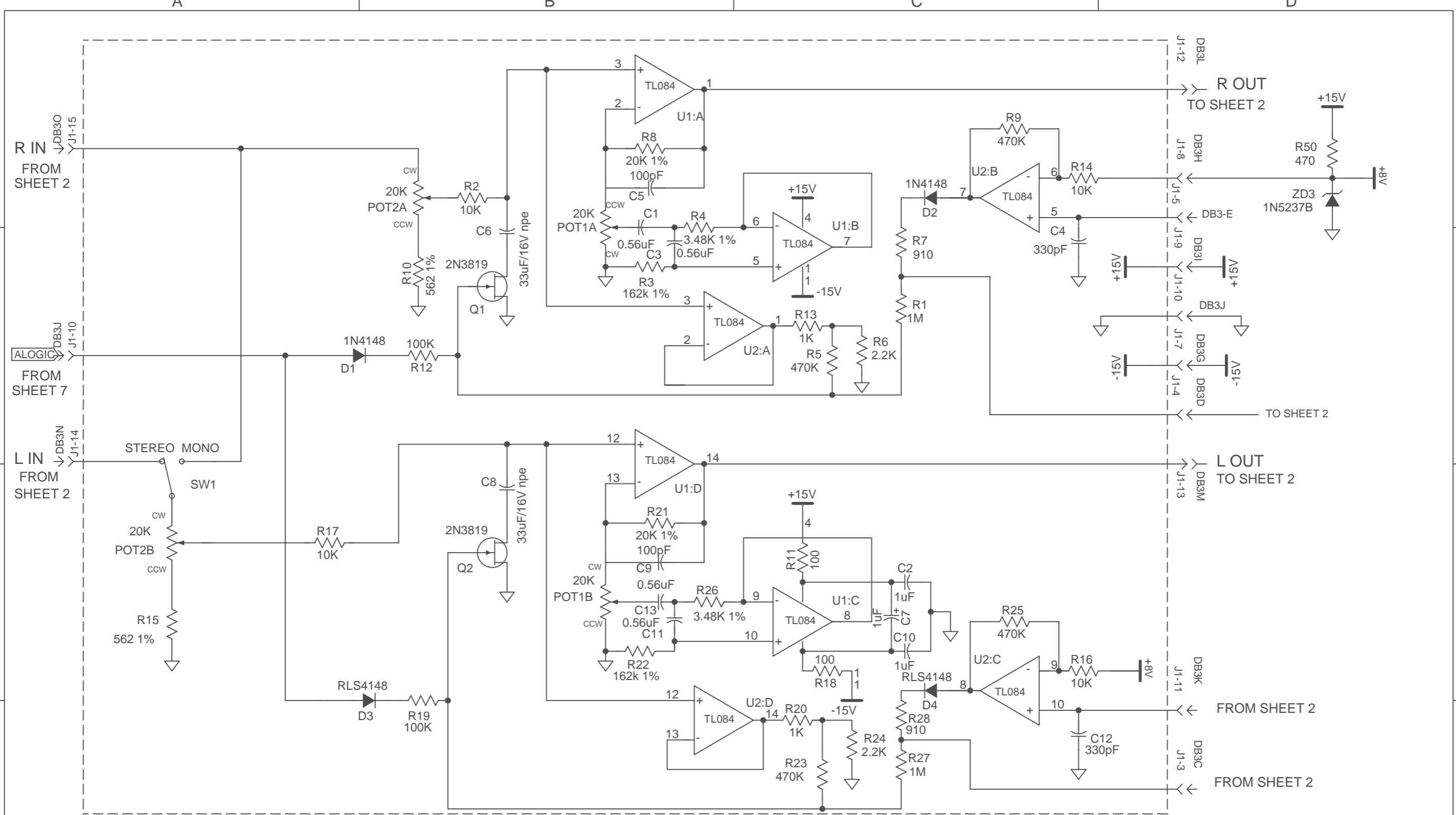
B

C

D

E

F

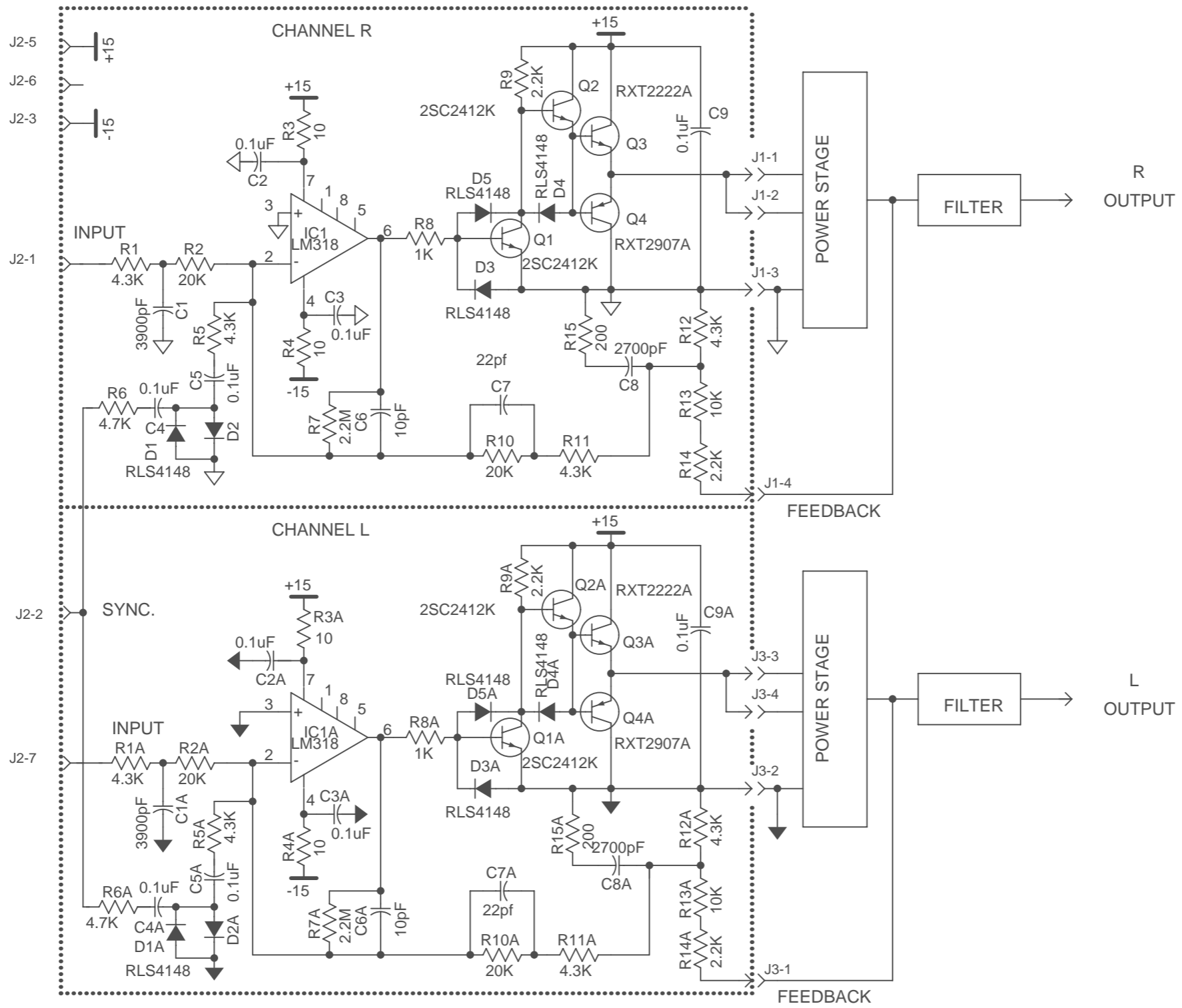


This document is property of harman consumer manufacturing, EL PASO. not to be reproduced or used for manufacturing purposes except on harman order on prior consent

harman consumer manufacturing, EL PASO.
 DESIGNED BY: INFINITY SYSTEMS, INC.
 CHECKED BY: V. CAMPOS
 RELEASED BY: M. RODRIGUEZ
 DOCUMENT CONTROL: FRED COOLEY

Title **BD-50 CONTROL PCB ASSY**
 Size **B** Number **ZD0210** Rev **04**
 Date **06/17/97** Drawn by **R. MACIAS**
 Filename **ZD0210-4.S03** Sheet **3** of **8**

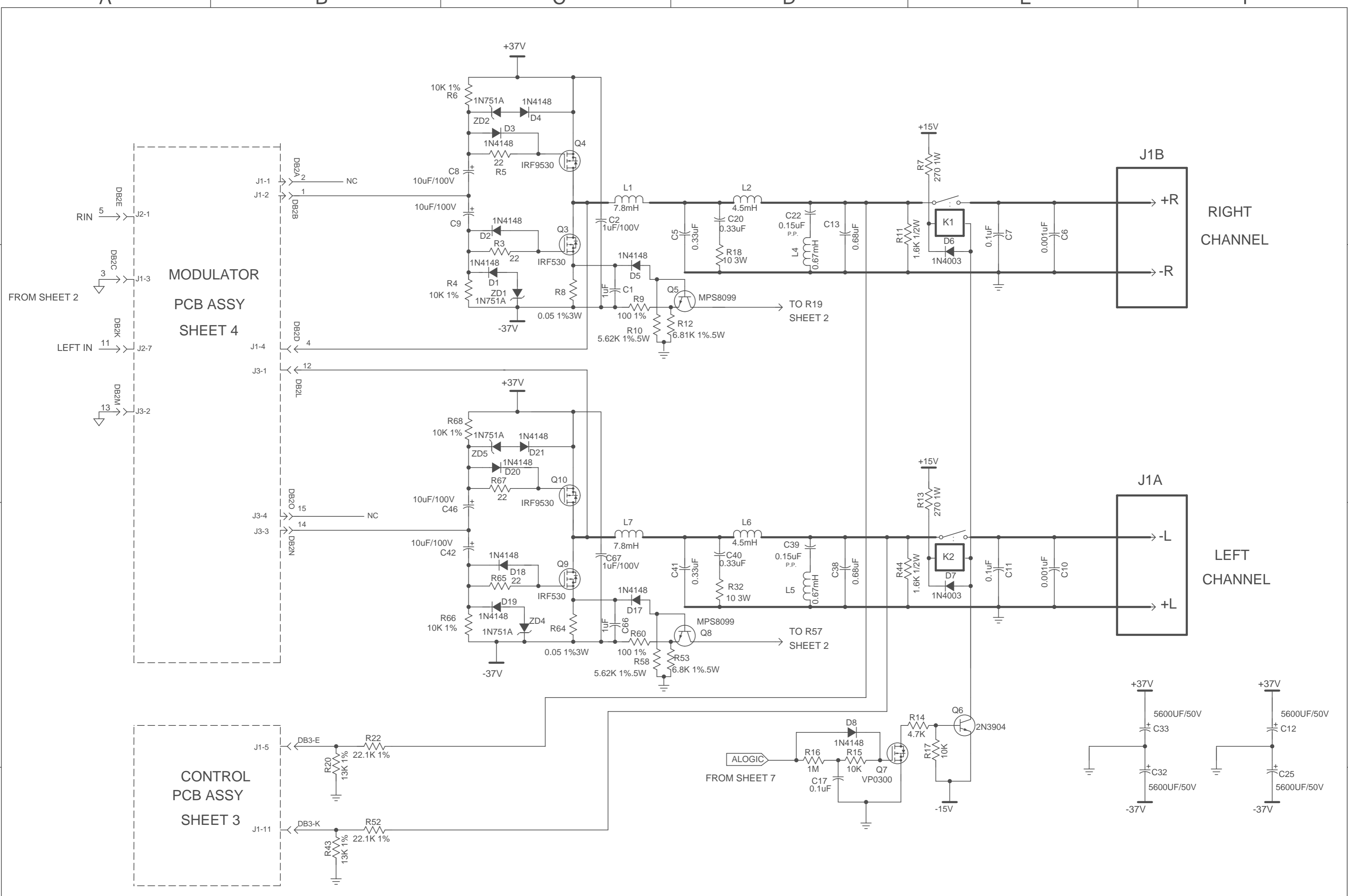
1
2
3
4



this document is property of harman consumer manufacturing, ELP. not to be reproduced or used for manufacturing purposes except on harman order on prior consent

harman consumer manufacturing ELP.
 DESIGNED BY: M. RODRIGUEZ
 CHECKED BY: V. C. FLORES
 RELEASED BY: M. RODRIGUEZ
 DOCUMENT CONTROL: FRED COOLEY

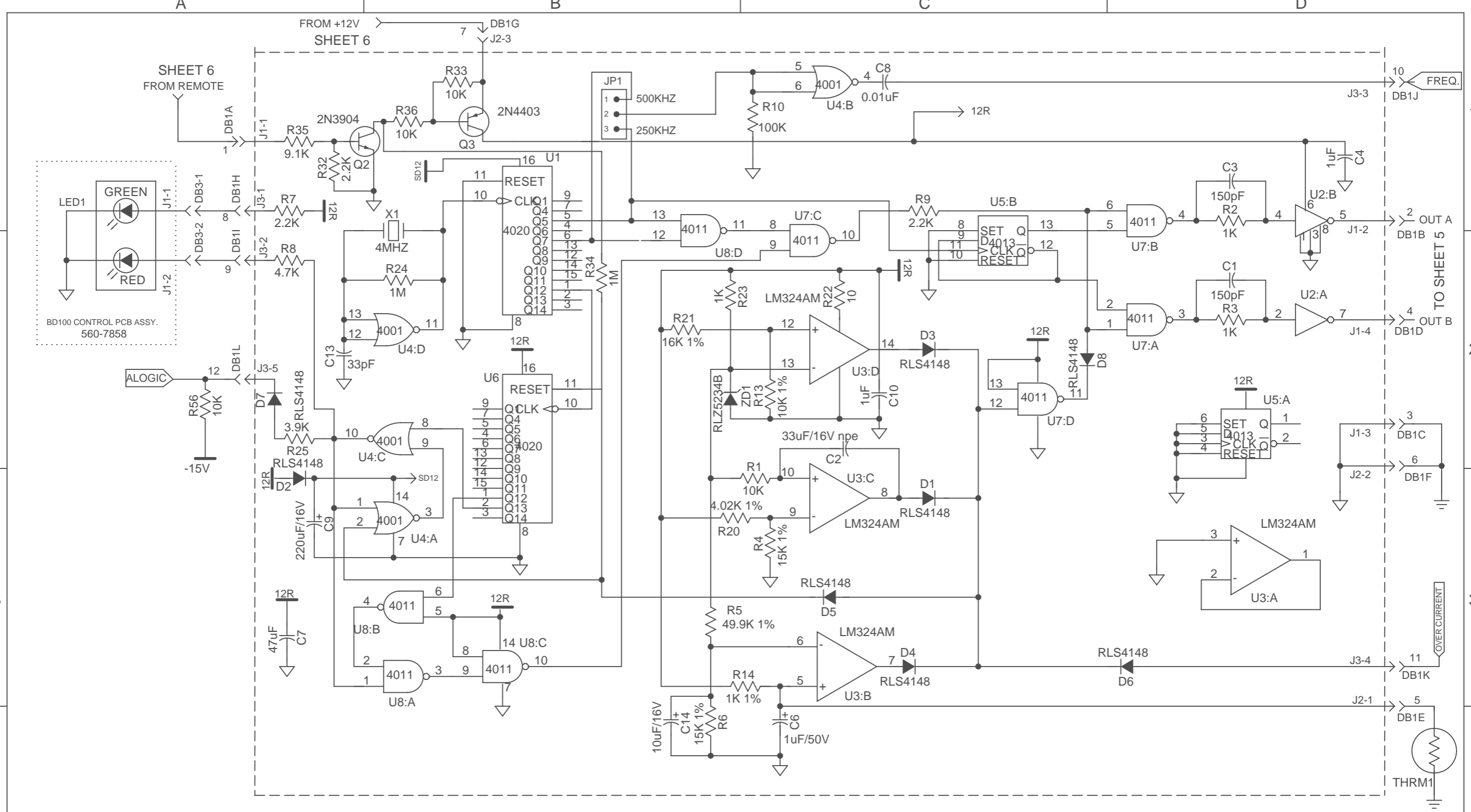
Title MANNY'S RODRIGUEZ MODULATOR		
Size B	Number ZD0210	Rev 04
Date 06/17/97	Drawn by R. MACIAS	
Filename ZD0210-4.S04	Sheet 4 of 8	



This document is property of harman consumer manufacturing, EL PASO. not to be reproduced or used for manufacturing purposes except on harman order on prior consent

harman consumer manufacturing, EL PASO.
 DESIGNED BY: INFINITY SYSTEMS, INC.
 CHECKED BY: V. CAMPOS
 RELEASED BY: M. RODRIGUEZ
 DOCUMENT CONTROL: FRED COOLEY

Title		BD-50 POWER AMP	
Size	Number	ZD0210	
C			
Date	06/17/97	Drawn by	R. MACIAS
Filename	ZD0210-4.S05	Sheet	5 of 8



This document is property of harman consumer manufacturing, EL PASO. not to be reproduced or used for manufacturing purposes except on harman order on prior consent

harman consumer manufacturing, EL PASO.		Title	
DESIGNED BY: INFINITY SYSTEMS, INC.		BD-50 P. S. LOGIC PCB ASSY	
CHECKED BY: V. CAMPOS		Size	Number
RELEASED BY: M. RODRIGUEZ		B	ZD0210
DOCUMENT CONTROL: FRED COOLEY		Date	Rev
		06/17/97	04
		Drawn by	R. MACIAS
		Filename	ZD0210-4.S07
		Sheet	7 of 8

A

B

C

D

E

F

1

1

DATE	REVISION	CHANGE DESCRIPTION	REASON OF CHANGE	CHANGED:	ECN#
03/12/97	01	A) CHANGE R20, R43 FROM 10K 1% TO 13K 1% ON POWER AMP B) CHANGE C1, C1A FROM 2700pF TO 3900pF ON MODULATOR BOARD C) CHANGE R14, R14A FROM 10K TO 2.2K ON MODULATOR BOARD D) CHANGE Q1, Q2 FROM IRFZ40 TO IRFZ44 ON POWER SUPPLY E) CHANGE R1, R2 FROM 22 OHM TO 33 OHM ON POWER SUPPLY F) CHANGE REV. T1 FROM PROTOTYPE REV. A TO REV. 00 ON POWER SUPPLY	ADJUST CLIPPING LEVEL AT 55W ADJUST AMPLITUDE AT -3db IN 20KHz ADJUST SENSITIVITY (250mV) IMPROVE P. S. OUTPUT REGULATION IMPROVE P. S. OUTPUT REGULATION IMPROVE P. S. OUTPUT REGULATION	R. MACIAS	
04/25/97	02	A) CHANGE Q1,Q2 FROM IRFZ44 TO IRF1010 ON POWER SUPPLY.	EFFICIENCY	R MACIAS	
06/10/97	03	A) CHANGE C48,C69 FROM 220pF TO 100pF. ON MAIN BOARD. B) CHANGE R23,R27 FROM 470K TO 240K ON MAIN BOARD. C) CHANGE R10,R15 FROM 499 1% TO 562 1% ON CONTROL BOARD. D) CHANGE C7 FROM 1uF TO 47uF ON LOGIC BOARD.	OSCILATION PROBLEM	R MACIAS	
06/17/97	04	A) CHANGE R23 FROM 10K TO 1K ON LOGIC BOARD. B) CHANGE R4 FROM 10K 1% TO 15K 1% ON LOGIC BOARD.	OSCILATION PROBLEM	R MACIAS	

2

2

3

3

4

4

This Document is property of
harman consumer manufacturing, EL PASO.
not to be reproduced or used for
manufacturing purposes except on
harman order on prior written consent.

harman consumer manufacturing, EL PASO.	
DESIGNED BY: INFINITY SYSTEMS, INC.	
CHECKED BY: V. CAMPOS	
RELEASED BY: M. RODRIGUEZ	
DOCUMENT CONTROL: FRED COOLEY	

Title		BD-50 DOCUMENT CONTROL	
Size	Number	Rev	
C	ZD0210	04	
Date	06/17/97	Drawn by	R. MACIAS
Filename	ZD0210-4.S08	Sheet	8 of 8

A

B

C

D

E

F