

BD-100  
BLOCK DIAGRAM

This document is property of  
harman consumer manufacturing, EL PASO.  
not to be reproduced or used for  
manufacturing purposes except on  
harman order on prior consent

harman consumer manufacturing, EL PASO.  
DESIGNED BY: INFINITY SYSTEMS, INC.  
CHECKED BY: V. CAMPOS  
RELEASED BY: M. RODRIGUEZ  
DOCUMENT CONTROL: FRED COOLEY

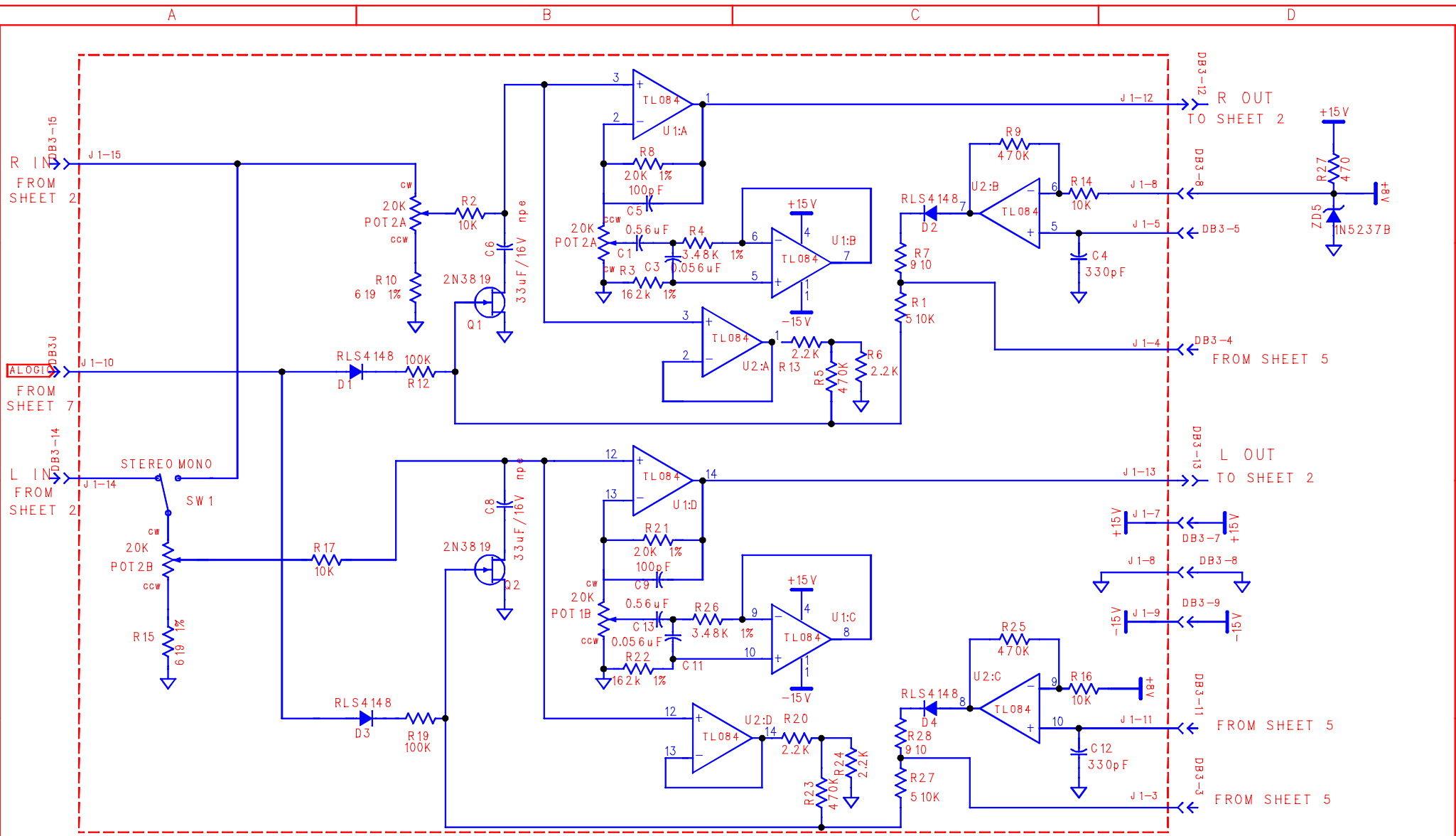
Title		BD-100 BLOCK DIAGRAM	
Size	Number	Rev	
B	ZD0211	06	
Date	06/17/97	Drawn by:	MACIAS
Filename	ZD0211-6.S01	Sheet	1 of 8

A

B

C

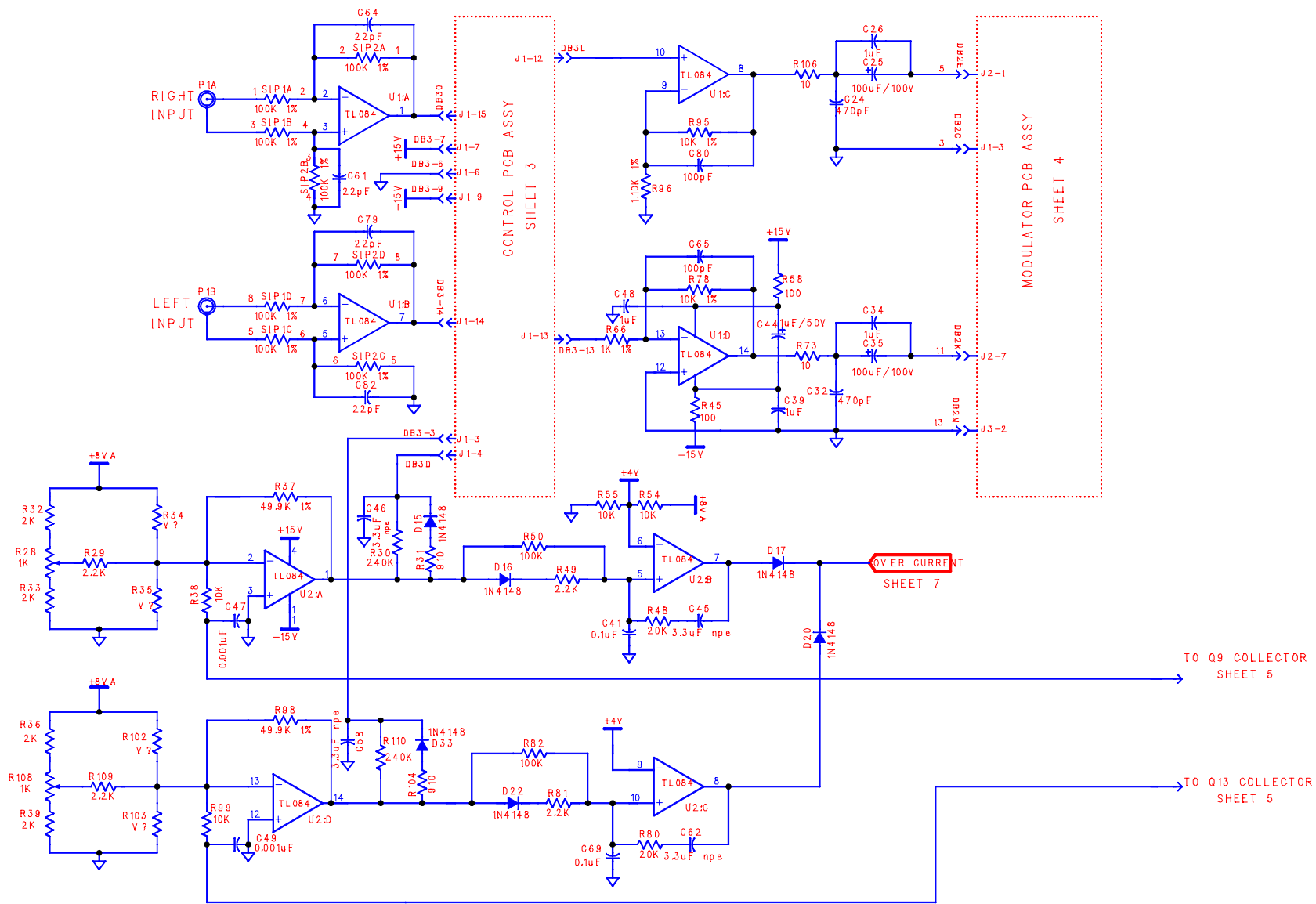
D



This document is property of  
 harman consumer manufacturing, EL PASC.  
 not to be reproduced or used for  
 manufacturing purposes except on  
 harman order on prior consent

harman consumer manufacturing, EL PASC. **BD-100 CONTROL PCB ASSY**  
 DESIGNED BY: INFINITY SYSTEMS, INC.

CHECKED BY: Y. CAMPOS	Size B	Number ZD0211	Rev 06
RELEASED BY: M. RODRIGUEZ	Date 06/17/97	Drawn by: MACIAS	
DOCUMENT CONTROL: FRED COOLEY	Filename ZD0211-6.S03	Sheet 3 of 8	



This document is property of harman consumer manufacturing, EL PASO. not to be reproduced or used for manufacturing purposes except on harman order on prior consent

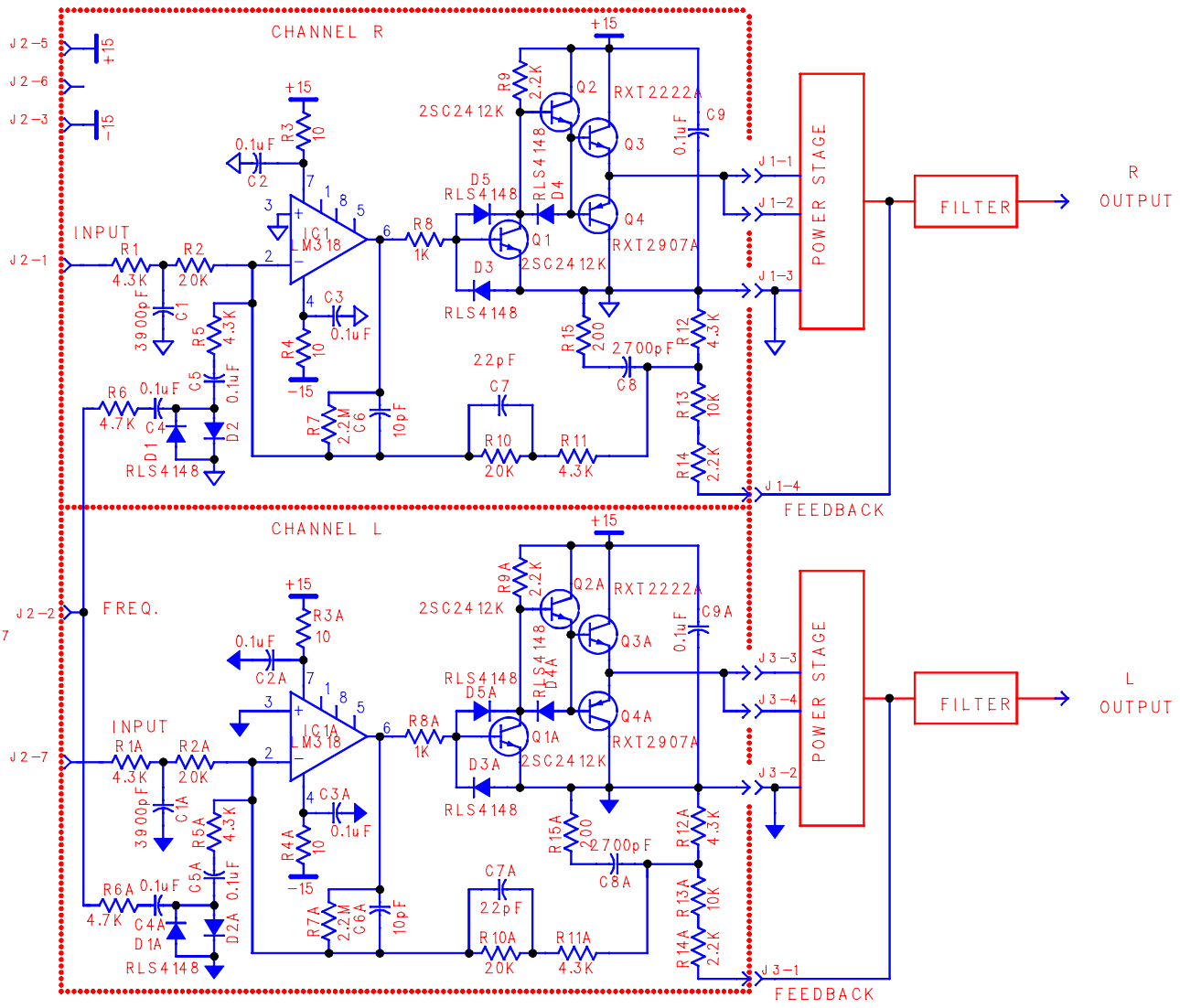
harman consumer manufacturing, EL PASO.  
 DESIGNED BY: INFINITY SYSTEMS, INC.  
 CHECKED BY: V. CAMPOS  
 RELEASED BY: M. RODRIGUEZ  
 DOCUMENT CONTROL: FRED COOLEY

Title BD-100 MAIN BOARD

Size	Number	Rev
C	ZD0211	06

Date	06/17/97	Drawn by	R. MACIAS
------	----------	----------	-----------

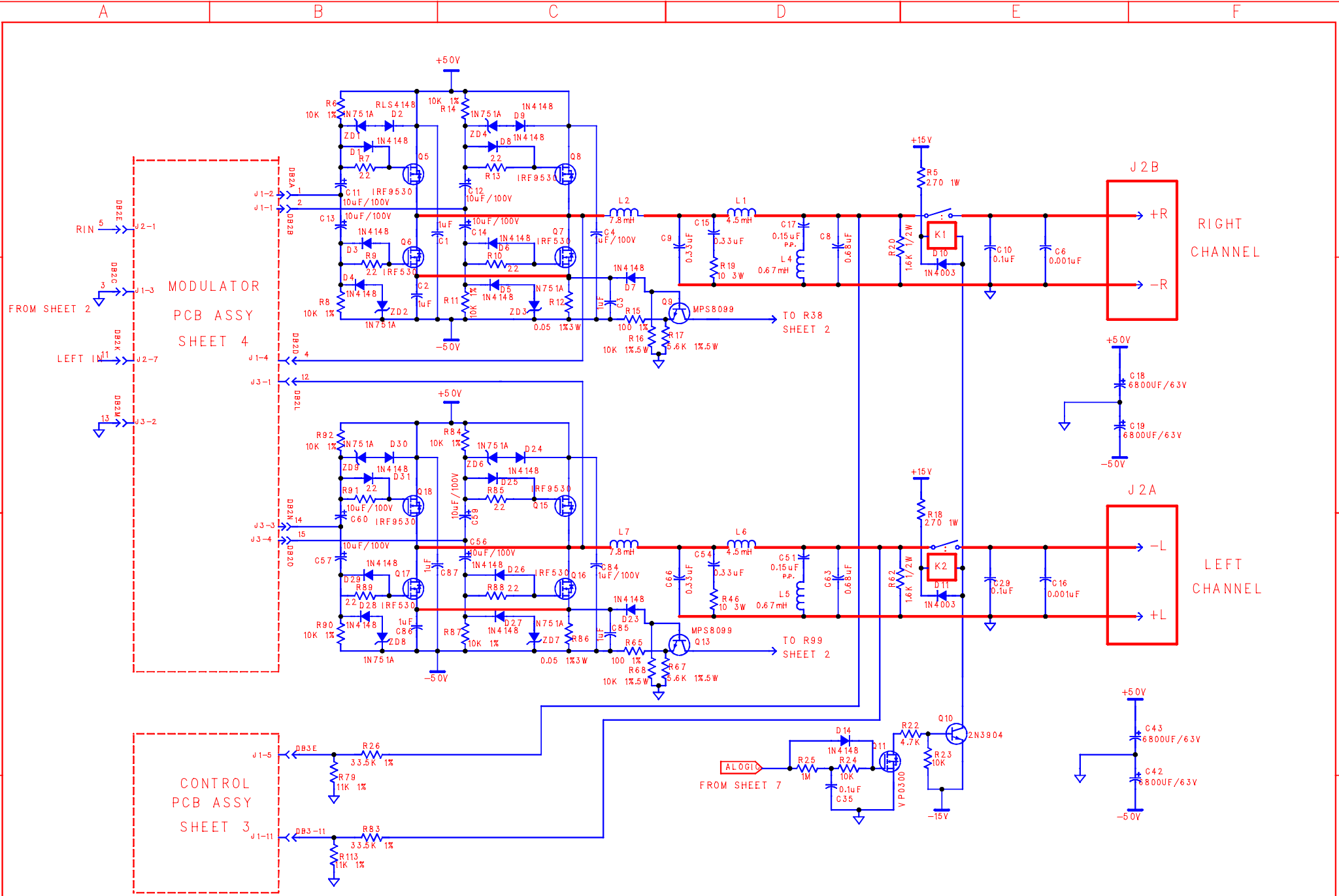
Filename	ZD0211-6.S02	Sheet	2 of 8
----------	--------------	-------	--------



this document is property of harman consumer manufacturing, ELP. not to be reproduced or used for manufacturing purposes except on harman order on prior consent

harman consumer manufacturing ELP.  
 DESIGNED BY: M. RODRIGUEZ  
 CHECKED BY: V. C. FLORES  
 RELEASED BY: M. RODRIGUEZ  
 DOCUMENT CONTROL: FRED COOLEY

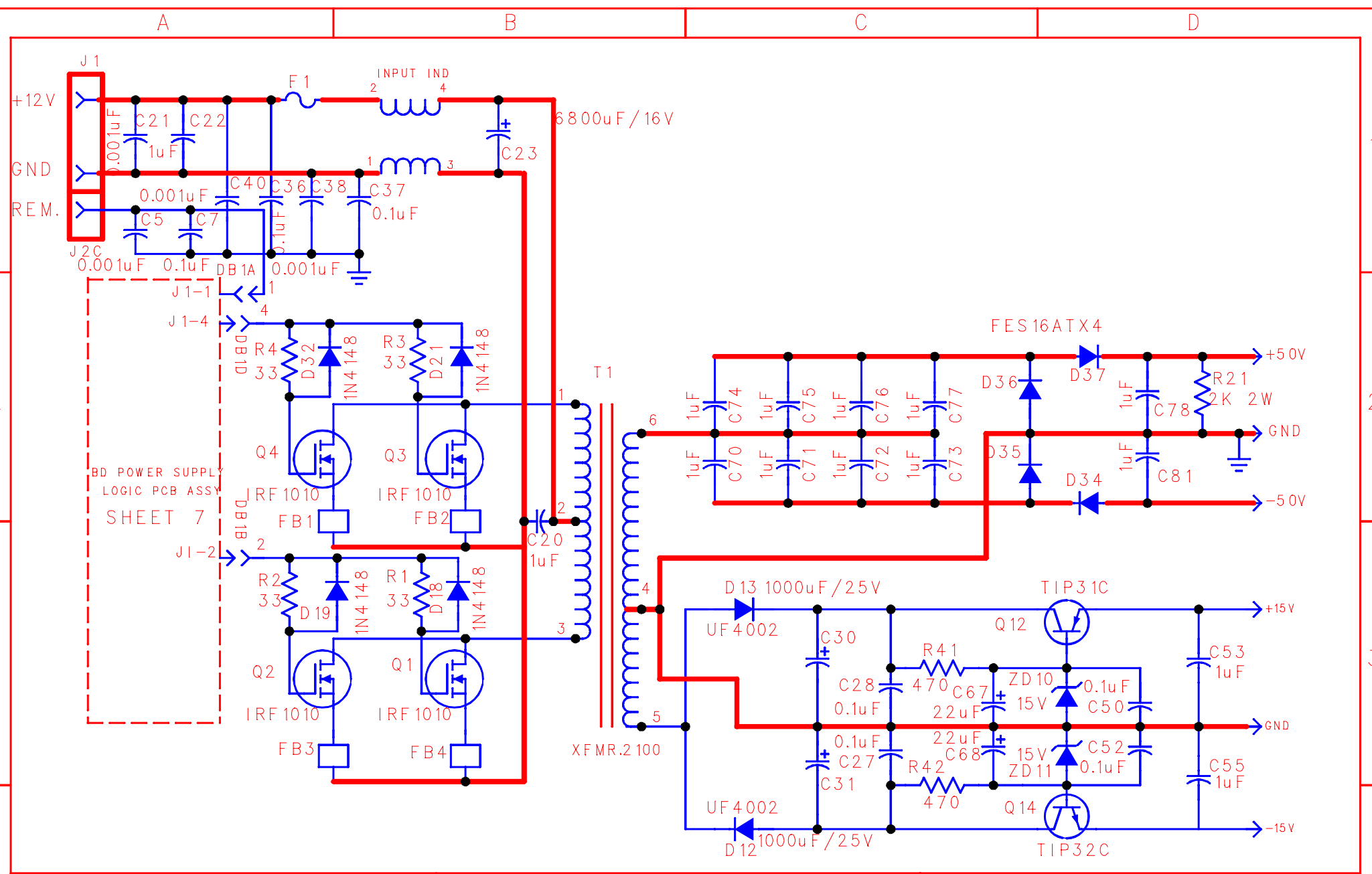
Title MANNY'S RODRIGUEZ MODULATOR		
Size B	Number ZD0211	Rev 06
Date 06/17/97	Drawn by MACIAS	
Filename ZD0211-6.S04	Sheet 4 of 8	



This document is property of harman consumer manufacturing, EL PASO, TX. not to be reproduced or used for manufacturing purposes except on harman order on prior consent

harman consumer manufacturing, EL PASO, TX  
 DESIGNED BY: INFINITY SYSTEMS, INC.  
 CHECKED BY: V. CAMPOS  
 RELEASED BY: M. RODRIGUEZ  
 DOCUMENT CONTROL: FRED COOLEY

Title		BD-100 POWER AMP	
Size	Number	ZD0211	Rev
C			06
Date	06/17/97	Drawn by	R. MACIAS
Filename	ZD0211-6.S05	Sheet	5 of 8



This document is property of  
 harman consumer manufacturing, EL PASO,  
 not to be reproduced or used for  
 manufacturing purposes except on  
 harman order on prior consent

harman consumer manufacturing, EL PASO.  
 DESIGNED BY: INFINITY SYSTEMS, INC.  
 CHECKED BY: V. CAMPOS  
 RELEASED BY: M. RODRIGUEZ  
 DOCUMENT CONTROL: FRED COOLEY

BD-100 POWER SUPPLY		Rev 06
Size A	Number ZD0211	
Date 06/17/97	Drawn by R. MACIAS	
Filename ZD0211-6.S06	Sheet 6 of 8	

A

B

C

D



DATE	REVISION	CHANGE DESCRIPTION	REASON OF CHANGE	CHANGED:	ECN#
03/11/97	02	A) CHANGE R14,R14A FROM 10K TO 2.2K ON MODULATOR BOARD.	SENSITIVITY ON 250MV.	R. MACIAS	7D346
03/11/97	03	A) CHANGE R1,R1A FROM 4.3K TO 3.3K ON MODULATOR BOARD. B) CHANGE R13,R14,R13A,R14A FROM 10K TO 6.8K ON MODULATOR BOARD. C) CHANGE R12,R12A FROM 4.3K TO 5.6K ON MODULATOR BOARD. D) CHANGE R11,R11A FROM 4.3K TO 4.7K ON MODULATOR BOARD. E) CHANGE R15,R15A FROM 200 TO 220 ON MODULATOR BOARD. F) CHANGE C6,C6A FROM 10pF TO 22pF ON MODULATOR BOARD. G) CHANGE R10,R15 FROM 549 1% TO 620 1% ON CONTROL BOARD.	ADJUST SENSIVITY(250MV -9V).	R. MACIAS	
04/25/97	04	A) CHANGE R1,R2,R3,R4 FROM 22 TO 33 ON POWER SUPPLY. B) CHANGE Q1,Q2,Q3,Q4 FRO IRFZ44 TO IRF1010 ON POWER SUPPLY C) CHANGE R79,R113 FROM 10K 1% TO 11K 1% ON MAIN BOARD. D) CHANGE C18,C19,C42,C43 FROM 5600uF50V TO 6800uF/63V ON POWER SUPPLY.	CLIPPING & PROTECTION	R. MACIAS	
06/11/97	05	A) CHANGE C65,C80 FROM 220pF TO 100pF ON MAIN BOARD. B) CHANGE R30,R110 FROM 470K TO 240K ON MAIN BOARD. C) CHANGE R32,R36 FROM 470 TO 2K ON MAIN BOARD. D) CHANGE R33,R39 FROM 3.6K TO 2K ON MAIN BOARD. E) CHANGE R10,R15 FROM 620 TO 619 1% ON CONTROL BOARD. F) CHANGE R13,R20 FROM 1K TO 2.2K ON CONTROL BOARD. G) CHANGE R1,R27 FROM 1M TO 510K ON CONTROL BOARD. H) CHANGE C7 FROM 1uF TO 47uF ON LOGIC BOARD. I) CHANGE R1,R1A FROM 3.3K TO 4.3K ON MODULATOR BOARD. J) CHANGE C1,C1A FROM 2700pF TO 3900pF ON MODULATOR BOARD. K) CHANGE R12,R12A FROM 5.6K TO 4.3K ON MODULATOR BOARD. L) CHANGE R13,R13A FROM 6.8K TO 10K ON MODULATOR BOARD.		R. MACIAS	
06/17/97	06	A) CHANGE R23 FROM 10K TO 1K ON LOGIC BOARD. B) CHANGE R4 FROM 10K 1% TO 15K 1% ON LOGIC BOARD.		R. MACIAS	

This Document is property of  
harman consumer manufacturing, EL PASO.  
not to be reproduced or used for  
manufacturing purposes except on  
harman order on prior written consent.

harman consumer manufacturing, EL PASO.

DESIGNED BY: INFINITY SYSTEMS, INC.

CHECKED BY: V. CAMPOS

RELEASED BY: M. RODRIGUEZ

DOCUMENT CONTROL: FRED COOLEY

Title BD-100 DOCUMENT CONTROL

Size	Number	Rev
C	ZD0211	06

Date	06/17/97	Drawn by	R. MACIAS
------	----------	----------	-----------

Filename	ZD0211-6.S08	Sheet	8 of 8
----------	--------------	-------	--------