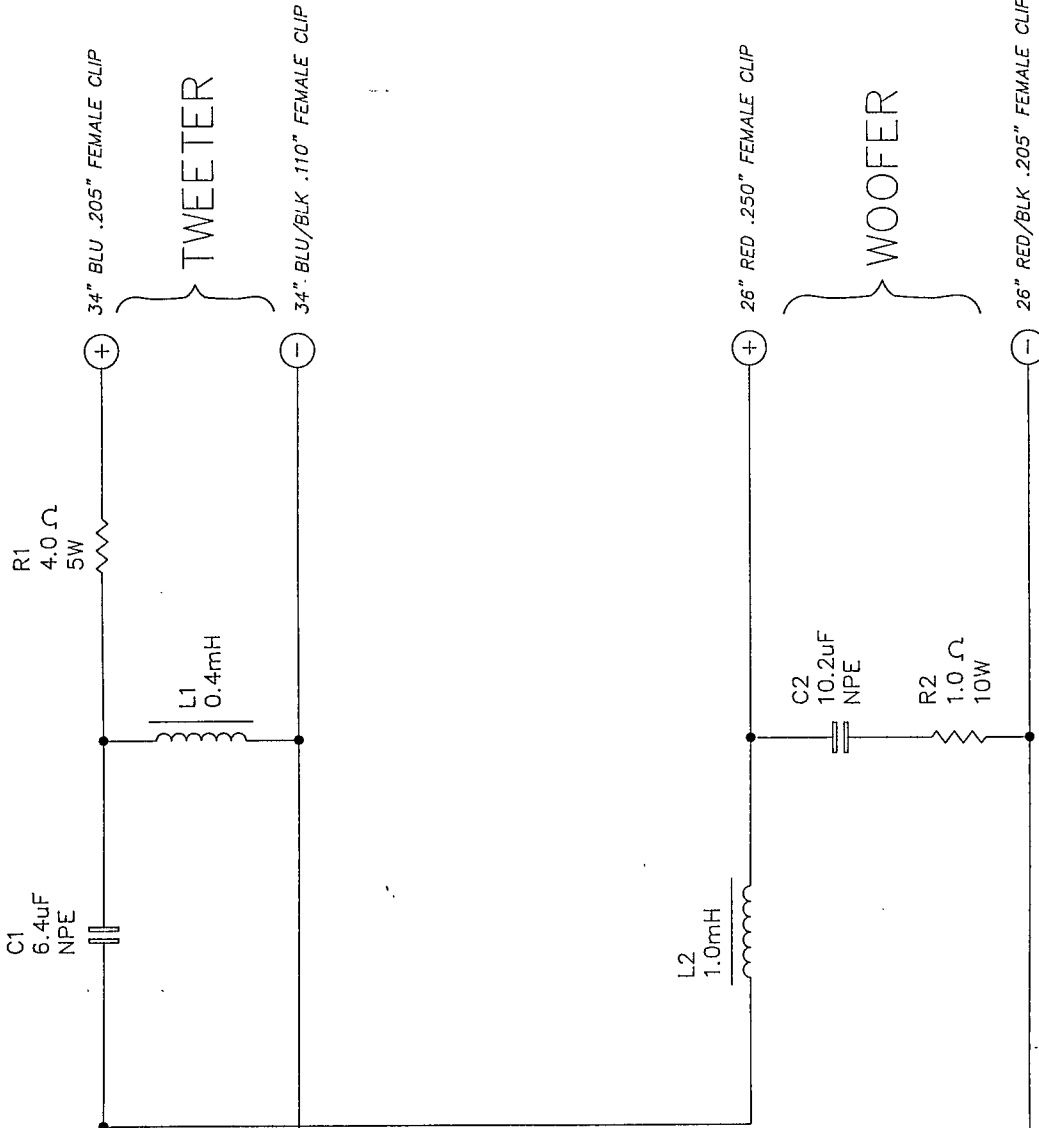


ECO	REV.	DESCRIPTION	DATE	APPROVED
-	A	RELEASE FOR PRODUCTION	01-18-93	SL 50



Bill of Material
01-18-93

Inductors	Value	Tol%	Amperes	DCR	Diag.	Type	Material	Size
Ref. L1	0.4mH	5	-	.27	9.60	SLUG	FERRITE	10x30mm
Ref. L2	1.0mH	5	-	.23	13.47	I	STEEL LAM	41x6x7mm

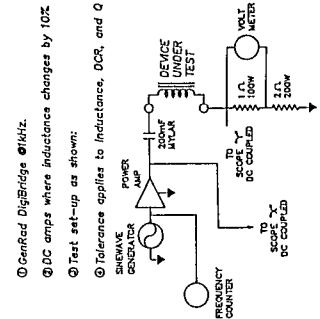
Capacitors	Value	Tol%	D.F. % (Hz)	AC Volts	Type	Brand
Ref. C1	6.4	10	6.0	100	NPE	-
Ref. C2	10.2	10	6.0	100	NPE	-

Resistors	Value	Tol%	Watts	Type
Ref. R1	4.0 OHM	5	5	WIRE WOUND
Ref. R2	1.0 OHM	5	10	WIRE WOUND

JAN 18 1993

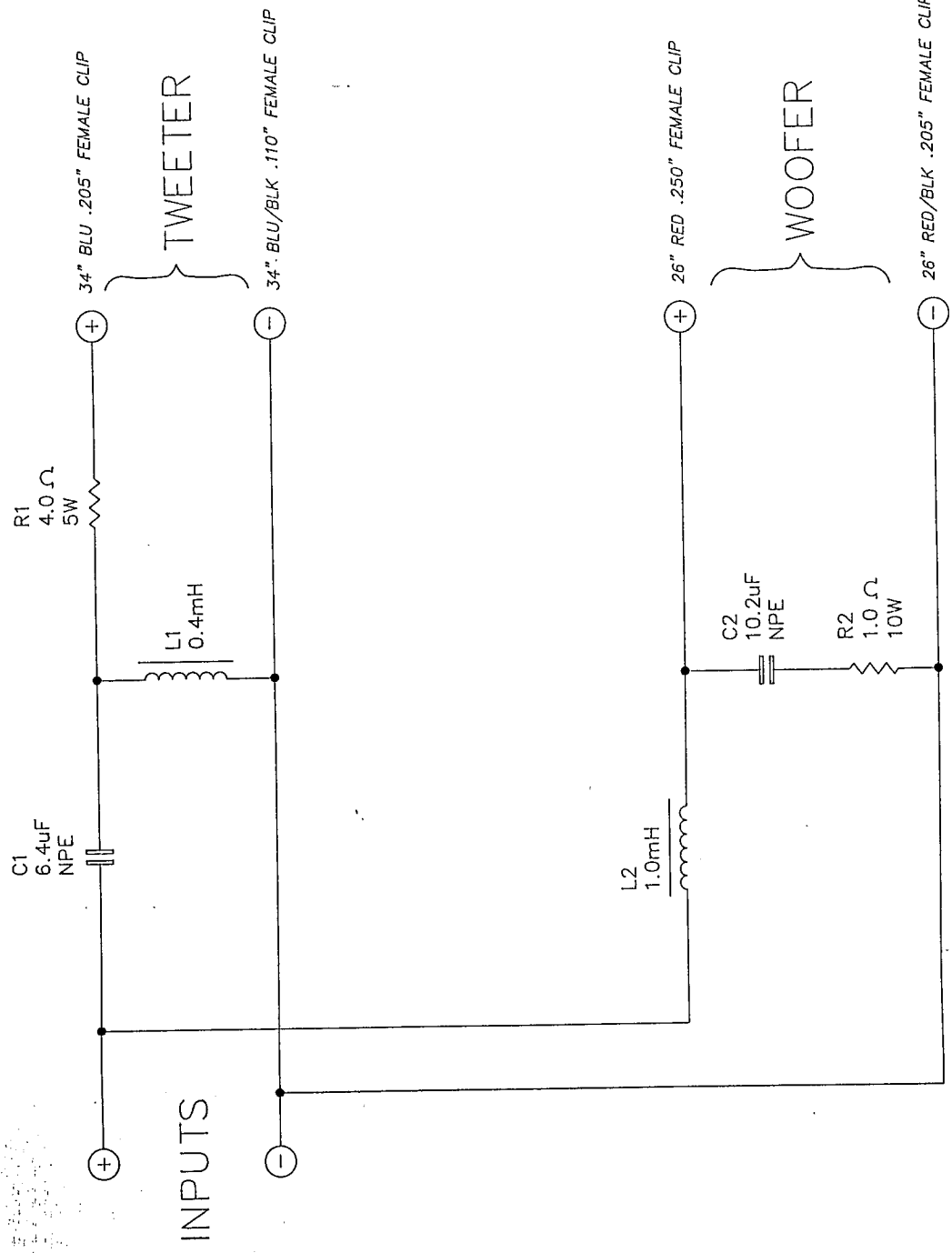
PROTECTION DEVICES: None
 PCB: MATERIAL (CEML) Thickness: 1.6mm) COPPER WT. 1 oz
 WIRES: UL1015 #18 AVG OR EQUIVALENT
 CLIPS: SEE LEFT
 CUP: PUSH TERMINAL - 712-6296

INFINITY SYSTEMS, INC. PROPRIETARY
 This document contains confidential and proprietary information that is and may not be disclosed to or duplicated for others except as authorized by Infinity Systems, Inc.



- ⊙ GenRad Digibridge @1kHz.
- ⊙ DC amps where inductance changes by 10%
- ⊙ Test set-up as shown.
- ⊙ Tolerance applies to inductance, DCR, and Q

Infinity Systems Inc.	
SL 50	
CROSSOVER SCHEMATIC	
P/N: 015-6360	
DWG NO: 015-6360-01650-42E	
DRAWN BY: R. BAHL	SCALE: N/A
DATE: 12-11-92	APPROVED: [Signature]
MATERIAL: SEE NOTES	
FINISH: SEE NOTES	
TOLERANCES: ANG. ± .5° FRACT. ± 1/32	
DECIMALS: .XX ± .01 .XXX ± .005	
REVISION: A	SHEET 1 OF 1



Inductors

Ref.	Value	Tol%	D.F.
L1	0.4mH	5	5
L2	1.0mH	5	5

Capacitors

Ref.	Value	Tol%	D.F.
C1	6.4	10	6.0
C2	10.2	10	6.0

Resistors

Ref.	Value	Tol%	Watt
R1	4.0 OHM	5	5
R2	1.0 OHM	5	1

PROTECTION DEVICES: None
 PCB: MATERIAL: GEM1J, TH1C
 LAYERS: UL1015 #18 AVG DR
 CLIPS: SEE LEFT
 CUP: PUSH TERMINAL - 712

