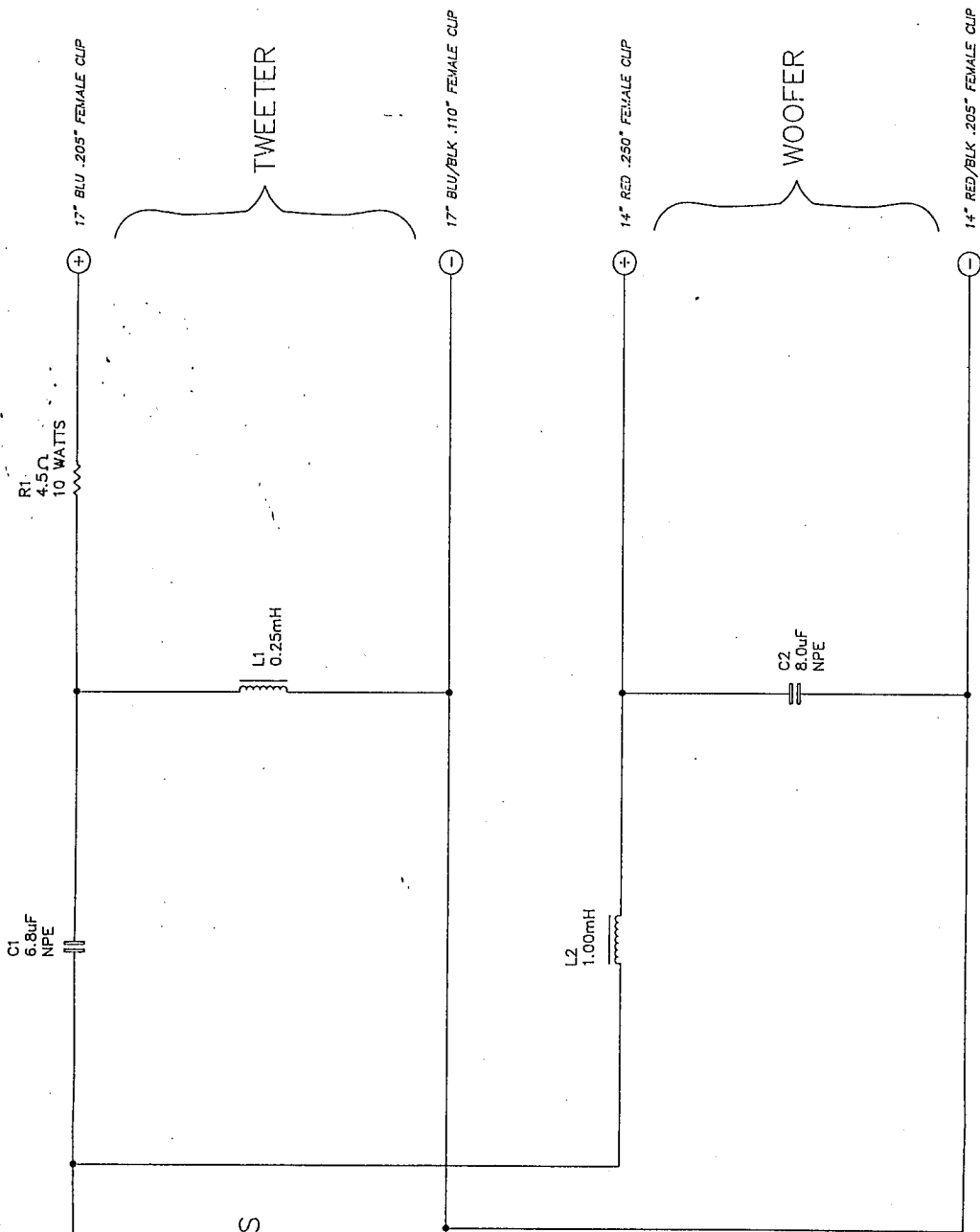


REVISIONS		
ECO	REV.	DESCRIPTION
--	A	RELEASE FOR PRODUCTION
		DATE APPROVED
		01-15-93



Bill of Material
01-15-93

Inductors	Value	Tol%	Amps	DCR	Doz/k	Type	Air Gap	Material	Size
Ref.	0.25mH	10	0.18	9.6	0	SLUG	-	FERRITE	10x30mm
L1	0.25mH	10	0.18	9.6	0	SLUG	-	FERRITE	10x30mm
L2	1.00mH	10	0.22	13.6	0	I	-	STEEL LAM	41x6x7mm

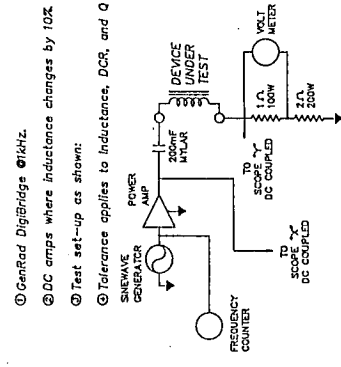
Capacitors	Value	Tol%	D.F. %	(Hz)	AC Volts	Type	Brand
Ref.	5.8uF	10	6.0	1K	100	NPE	-
C1	5.8uF	10	6.0	1K	100	NPE	-
C2	8.0uF	10	6.0	1K	100	NPE	-

Resistors	Value	Tol%	Watts	Type
Ref.	4.5 OHM	10	10	WIRE WOUND
R1	4.5 OHM	10	10	WIRE WOUND

PROTECTION DEVICES: None
PCB: MATERIAL: GEM1; Thickness: 1.6mm COPPER WEIGHT: 1 Oz.
WIRES: UL1015 #18 AWG STRANDED
CLIPS: SEE LEFT
CROSSOVER LABEL: NONE
KNOB: NONE
CUP: PUSH TERMINALS - 712-6294

INFINITY SYSTEMS, INC. PROPRIETARY!
This document contains confidential and proprietary information that is the property of Infinity Systems, Inc. and may not be disclosed to or duplicated for others except as authorized by Infinity Systems, Inc.

JAN 15 1993



Infinity Systems Inc.	
SL 30	CROSSOVER SCHEMATIC
P/N: 015-6335	
DWG NO: 015-6355-01666-42C	
DRAWN BY: R. RAHL	SCALE: N/A
DATE: 12-28-92	
APPROVED: <i>[Signature]</i>	
MATERIAL: SEE NOTES	
FINISH: SEE NOTES	
TOLERANCES: ANG: ± .5° FRACT: ± 1/32	
DECIMALS: .XX ± = .01 .XXX ± = .005	
REVISION: A	SHEET 1 OF 1

C1
6.8uF
NPE

R1
4.5Ω
10 WATTS

INPUTS

L1
0.25mH

L2
1.00mH

C2
8.0uF
NPE

