

REVISIONS		DATE	APPROVED
ECO	REV.	DESCRIPTION	
-	A	RELEASE FOR PRODUCTION	03-30-93

LEFT OUTPUT

RIGHT OUTPUT

WOOFER 1

WOOFER 2

C1
225uF
NPE

C2
225uF
NPE

L1
1.5mH

L2
1.5mH

14" GRN .250" FEMALE CLIP

14" GRN/BLK .205" FEMALE CLIP

14" WHT .250" FEMALE CLIP

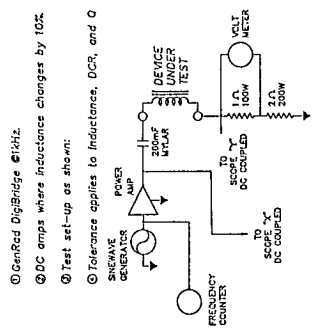
14" WHT/BLK .205" FEMALE CLIP

Bill of Material
03-30-93

Inductors	Value	Tol%	Amps ²	DCR	Dwg Lk	Type	Brand	Material	Size
Ref.	1.5mH	5	-	.39	13	I	-	STEEL LAM	41x6x7mm
L1	1.5mH	5	-	.39	13	I	-	STEEL LAM	41x6x7mm
L2	1.5mH	5	-	.39	13	I	-	STEEL LAM	41x6x7mm

Capacitors	Value	Tol%	D.F. % (Hz)	AC Volts	Type	Brand
Ref.	225uF	10	10	120	NPE	-
C1	225uF	10	10	120	NPE	-
C2	225uF	10	10	120	NPE	-

PROTECTION DEVICES: None
PCB: CEM-1 THICKNESS: 1.6mm, COPPER WEIGHT: 1 Oz.
WIRES: UL1015 #18 AWG STRANDED OR ENGINEERING APPROVED EQUIVALENT
CLIPS: SEE LEFT P/N SPT100 OR ENGINEERING APPROVED EQUIVALENT
INPUTS: SHUN CHI P/N SPT100 OR ENGINEERING APPROVED EQUIVALENT



- ⊙ Center Dip/Switch 6kHz
- ⊙ DC amps where inductance changes by 10%
- ⊙ Test set-up as shown
- ⊙ Tolerance applies to inductance, DCR, and Q

MAR 30 1993

INFINITY SYSTEMS, INC. PROPRIETARY
This document contains confidential and proprietary information that is the property of Infinity Systems, Inc. and may not be disclosed to or duplicated for others except as authorized by Infinity Systems, Inc.

Infinity Systems Inc.	
SL MICRO SBWFR 6 1/2	
CROSSOVER SCHEMATIC	
P/N: .015..6475	
DWG NO: 015-6475-01717-42F	
DRAWN BY: R. RAHL	
DATE: 02-03-93	SCALE: N/A
APPROVED: <i>[Signature]</i>	CAD FILE NAME: F:\SL\SUB\65A
TOLERANCES: ANG. ± .5°	FRACT. ± 1/32
DECIMALS: .XX ± .01	.XXX ± .005
REVISION: A	

