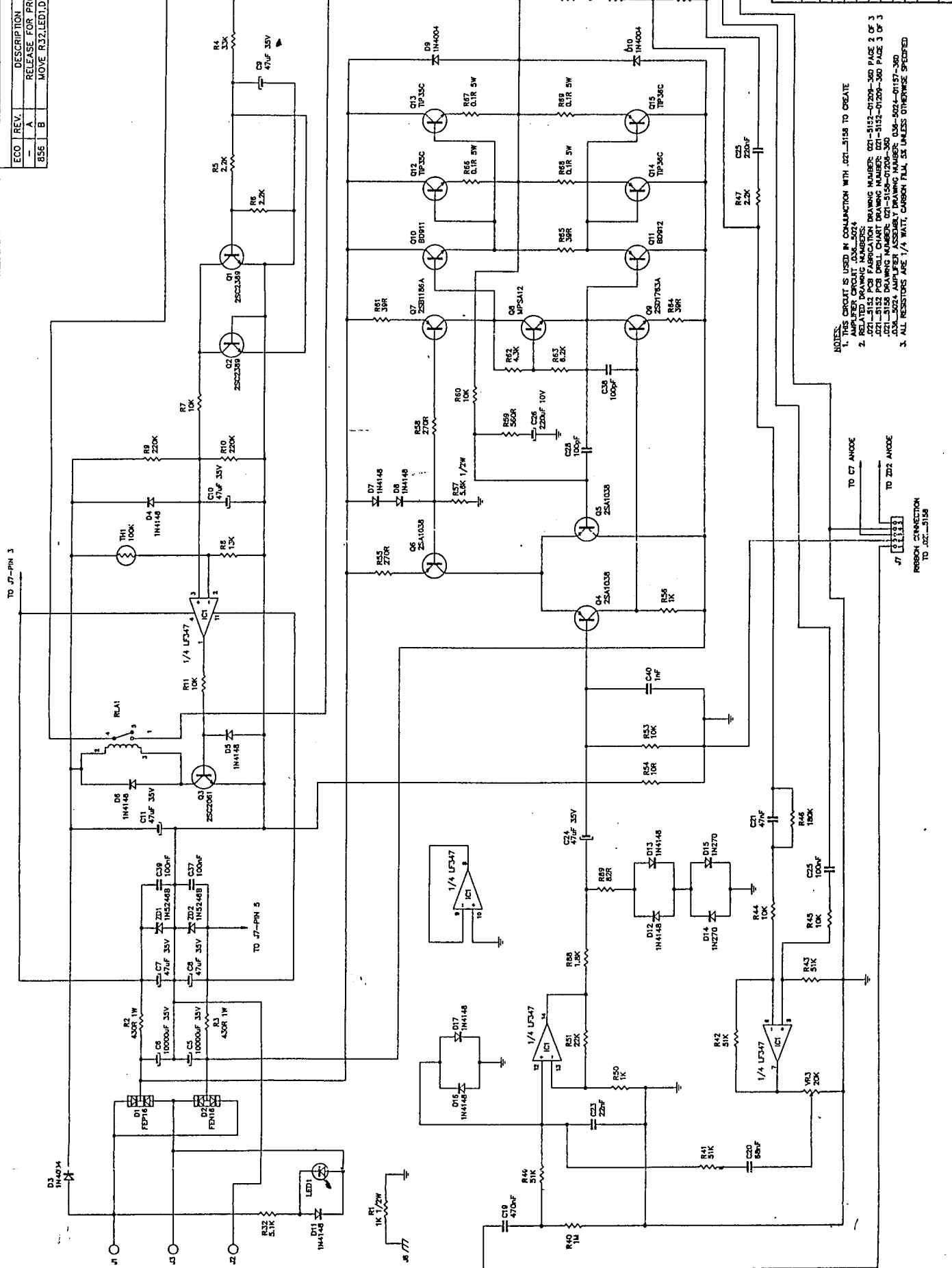


ECO	REV.	DESCRIPTION	DATE	APPROVED
-	A	RELEASE FOR PRODUCTION	02-25-91	RP
156	B	MOVE R32,LED1,D11,03 ON PCB ONLY	04-22-91	

REVISIONS	
DATE	DESCRIPTION

**INFINITY SYSTEMS, INC. PROPRIETARY**  
 This document contains confidential and proprietary information that is and may not be disclosed to or duplicated for others except as authorized by Infinity Systems, Inc.



MAY 23 1991

**Infinity Systems Inc.**  
**SERVO SUBWOOFER**  
 AMPLIFIER/SERVO BOARD SCHEMATIC  
 P/N: 021-5152  
 DWG NO: 021-5152-01209-380  
 DRAWN BY: R. RAHL  
 DATE: 02-25-91  
 APPROVED: RP (RAHL)  
 MATERIAL: SEE NOTES  
 FINISH: SEE NOTES  
 TOLERANCES: ANG ± .5 FRACT. ± = 1/32  
 DIMENSIONS: XX ± = .01 .XXX ± = .005  
**REVISION: B** page 1 of 3

- NOTES:
- THIS CIRCUIT IS USED IN CONJUNCTION WITH 021-5158 TO CREATE 1. AMPLIFIER CIRCUIT 021-5024
  - RELATED DRAWING NUMBERS: 021-5152 PCB FABRICATION DRAWING NUMBER: 021-5152-01209-380 PAGE 2 OF 3  
021-5152 PCB FABRICATION DRAWING NUMBER: 021-5152-01209-380 PAGE 3 OF 3  
021-5158 DRAWING NUMBER: 021-5158-01209-380  
021-5158 DRAWING NUMBER: 021-5158-01209-380  
021-5158 DRAWING NUMBER: 021-5158-01209-380
  - 021-5158 DRAWING NUMBER: 021-5158-01209-380  
021-5158 DRAWING NUMBER: 021-5158-01209-380  
021-5158 DRAWING NUMBER: 021-5158-01209-380

TO C7 ANODE  
 TO ZD2 ANODE  
 RIBBON CONNECTION TO J21-5158