

Technical Manual

REF-31MKII



SPECIFICATIONS

ACOUSTIC & ELECTRICAL SPECIFICATIONS:

- * Nominal Impedance: 6 ohm
- * Recommended Amp Power: 10-75W
- * Frequency Response: 60 Hz - 25 kHz (-6dB)
- * Sensitivity: 90 dB / 2,83V / 1 m
- * Crossover frequency: 4 kHz

SYSTEM COMPONENTS:

- * Cabinet: CREF-31MKII (Not for sale)
- * Grille: GREF-31MKII (2408040)
- * Woofer: W70410-5 165mm Woofer Coated Paper

SYSTEM COMPONENTS: (cont'd)

- * Tweeter: TW0101Y Gold 10mm Gold Plated Polymer dome tweeter
- * Crossover Network: NREF-31MKII (2708330)

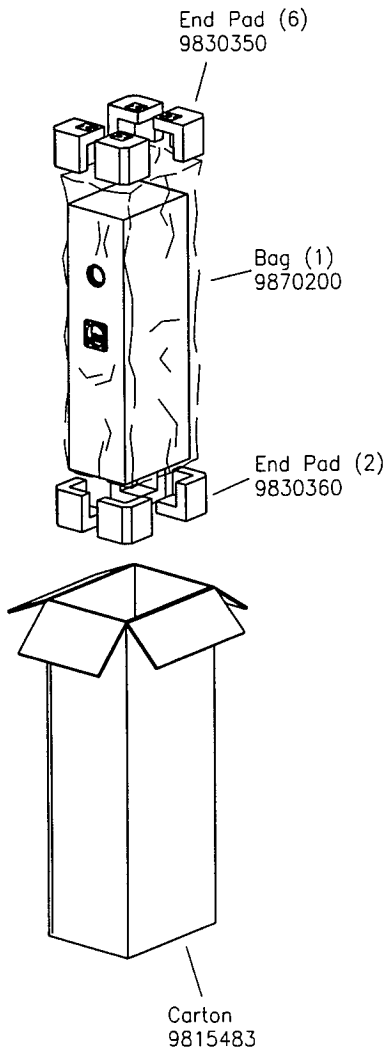
PHYSICAL SPECIFICATIONS:

- * Enclosure Dimensions (H.W.D): 31,5x8,2x12 In. D (800x208x307mm D)
- * Shipping Weight: 33 lbs. (15 kg.)

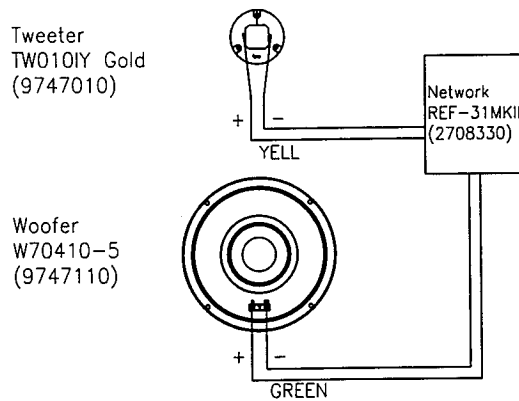
WARRANTY INFORMATION:

- * Refer to the Warranty Statement packed with each product

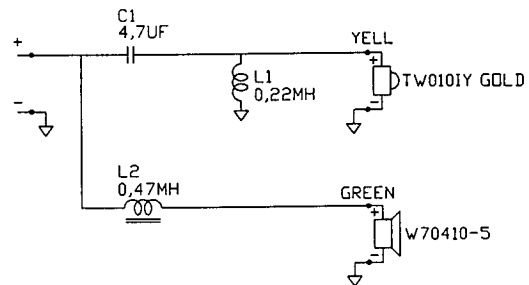
PACKAGE



WIRING DIAGRAM



SCHEMATIC REF-31 MKII



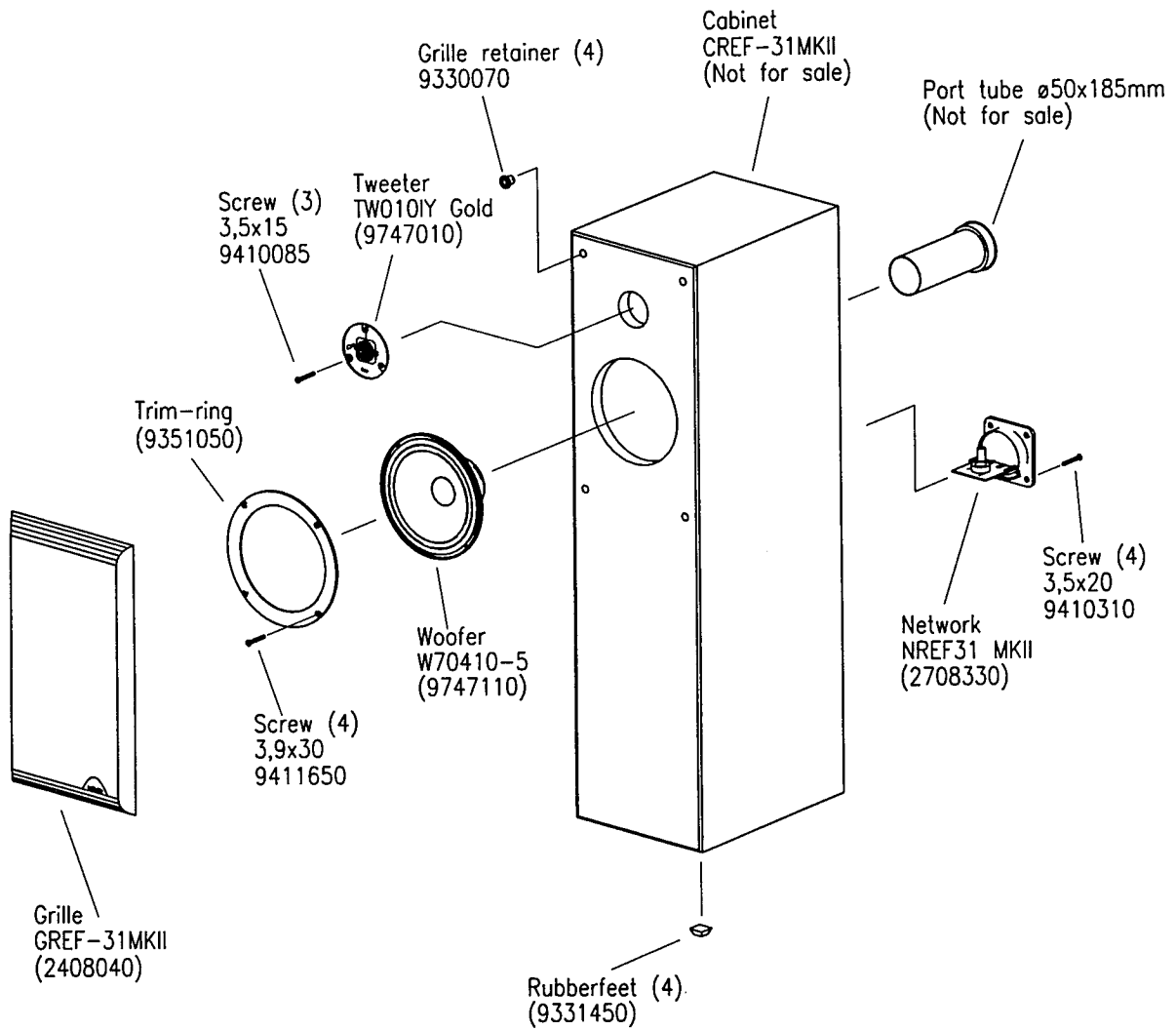
NOTE: CONE/DIAPHRAGM KIT NOT AVAILABLE.
DEFECTIVE DRIVER SHOULD BE REPLACED.

Valid from serial no. 01001
Rev. 8/10-1997

REF-31MKII

REF-31MKII

COMPONENT EXPLODED VIEW



REF-31MKII