

# Technical Manual

# REF-1 MKII



## SPECIFICATIONS

### ACOUSTIC & ELECTRICAL SPECIFICATIONS:

- \* Nominal Impedance: 6 ohm
- \* Recommended Amp Power: 10-50W
- \* Frequency Response: 65 Hz - 25 kHz (-6dB)
- \* Sensitivity: 89 dB / 2,83V / 1 m
- \* Crossover frequency: 4 kHz

### SYSTEM COMPONENTS:

- \* Cabinet: CREF-1 MKII (Not for sale)
- \* Grille: GREF-1 MKII (2408000)
- \* Woofer: W70410-7 130mm Woofer Coated Paper

### SYSTEM COMPONENTS: (cont'd)

- \* Tweeter: TW0101Y Gold 10mm Gold Plated Polymer dome tweeter
- \* Crossover Network: NREF-1 MKII (2708300)

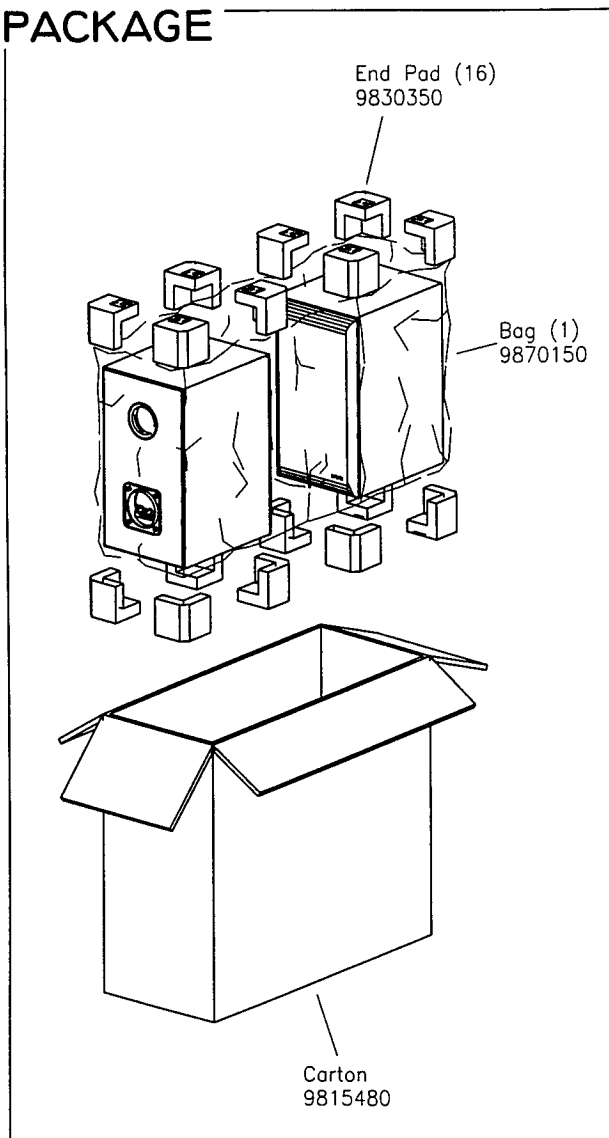
### PHYSICAL SPECIFICATIONS:

- \* Enclosure Dimensions (H.W.D): 12,8x7,1x9,6 in. D (326x180x244mm D)
- \* Shipping Weight: 24 lbs. (11 kg.)

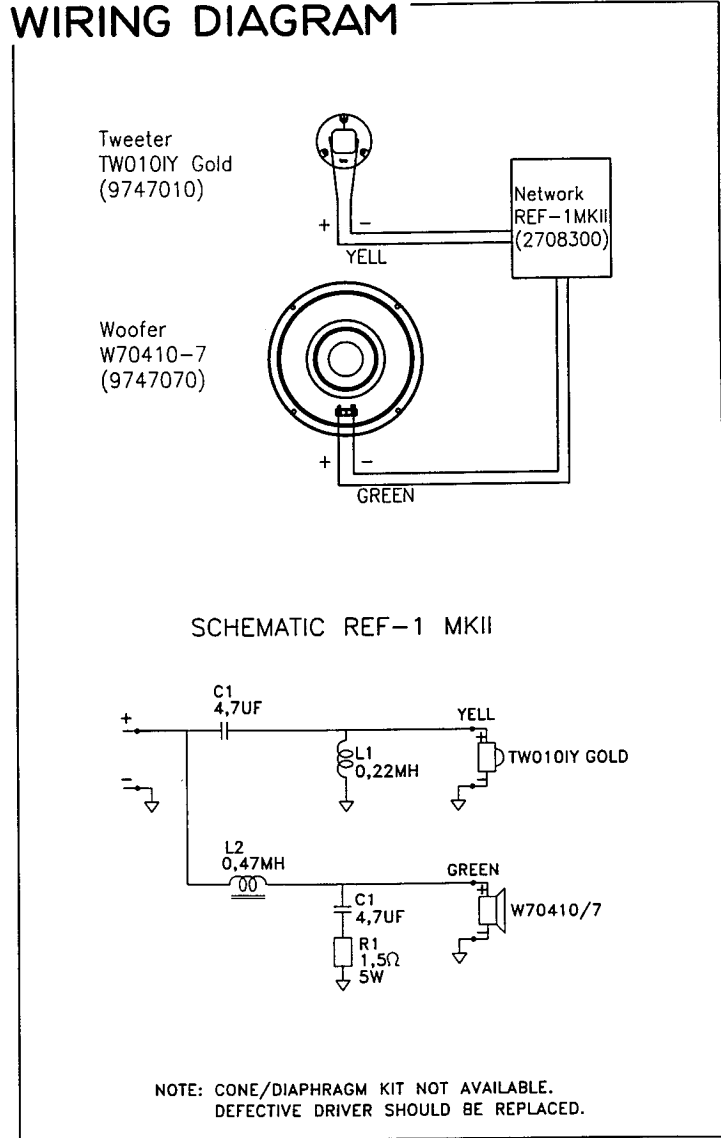
### WARRANTY INFORMATION:

- \* Refer to the Warranty Statement packed with each product

## PACKAGE



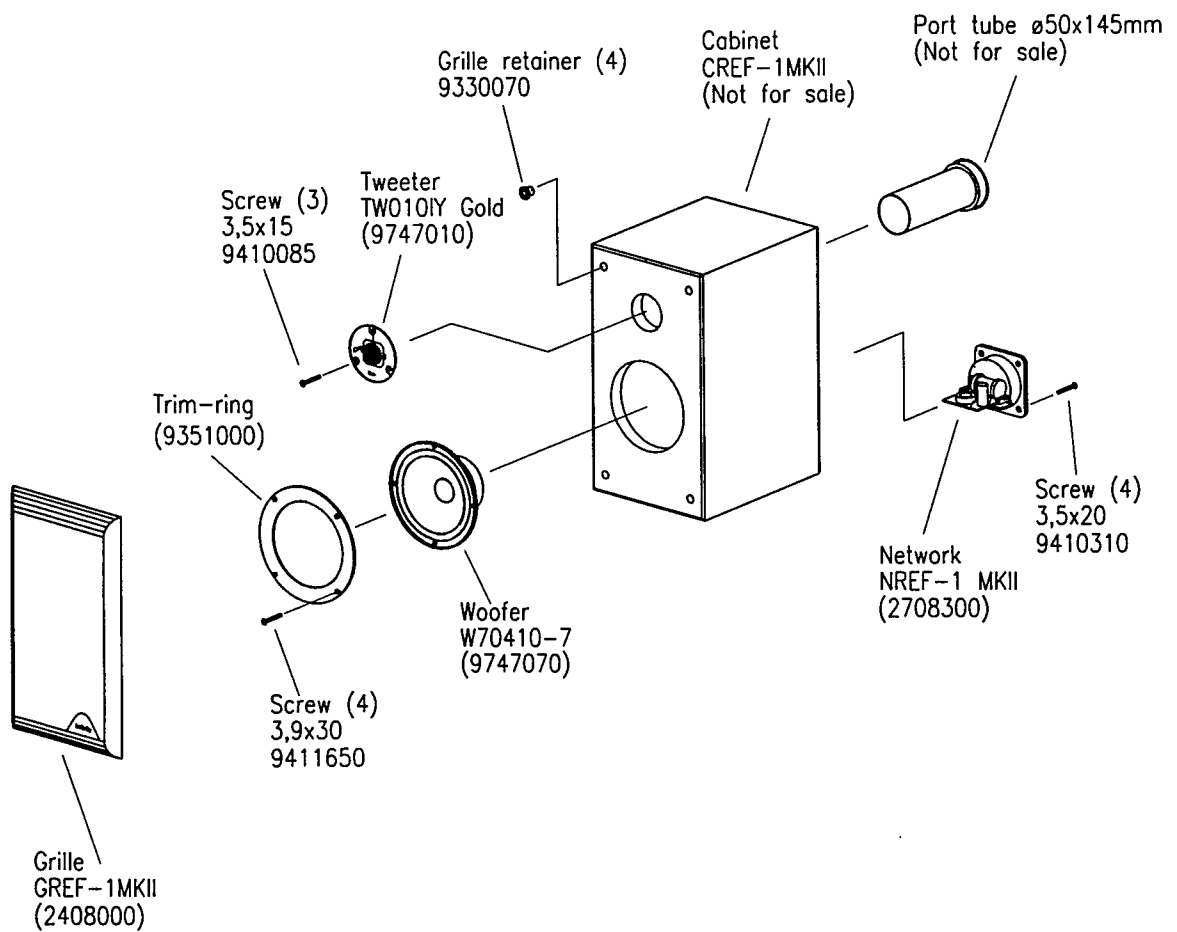
## WIRING DIAGRAM



**REF-1MKII**

# REF-1MKII

## COMPONENT EXPLODED VIEW



REF-1MKII