

Technical Manual

KAPPA-100



SPECIFICATIONS

ACOUSTIC & ELECTRICAL SPECIFICATIONS:

- * Nominal Impedance: 6 ohm
- * Recommended Amp Power: 50-400 W
- * Frequency Response: 30 Hz - 45 kHz (± 2 dB)
- * Sensitivity: 89 dB / 2,8V / 1 m
- * Crossover frequency: 250/800/3,5 KHZ

SYSTEM COMPONENTS:

- * Cabinet: CLKAPPA100 (Not for sale)
- * Grille: GLKAPPA100 (2408710)
- * Grille: GLKAPPA100 (2408712)
- * Woofer: HT300JLO 330mm Woofer
47mm voice coil
- DC Resistance: 11,5 ohm
- * Midrange: M11MG-09-04 115mm Midrange
27mm voice coil

SYSTEM COMPONENTS: (cont'd)

- DC Resistance: 3,4 ohm
- * Tweeter: EMIT-B
- DC Resistance: 3,8 ohm
- * Crossover Network: NKAPPA100 (2708710)
- * Crossover Network: NKAPPA100 (2708711)

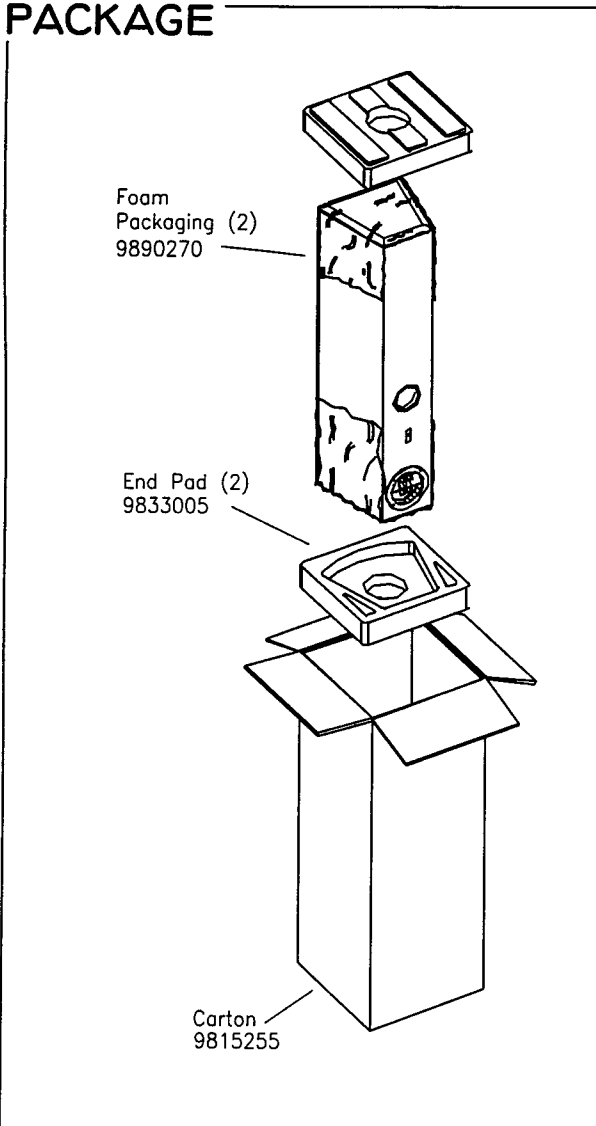
PHYSICAL SPECIFICATIONS:

- * Enclosure Dimensions (H.W.D): 57,8x16,9x16,5 In. D
(1470x430x420mm D)
- * Shipping Weight: 137 lbs. (62 kg.)

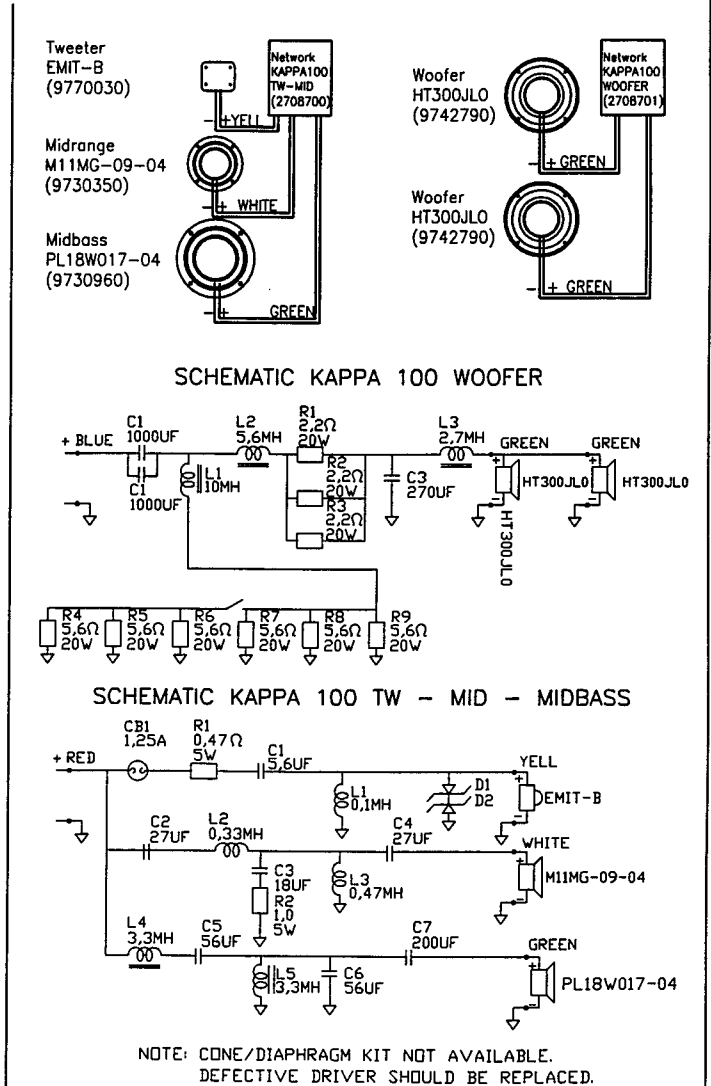
WARRANTY INFORMATION:

- * Refer to the Warranty Statement packed with each product

PACKAGE



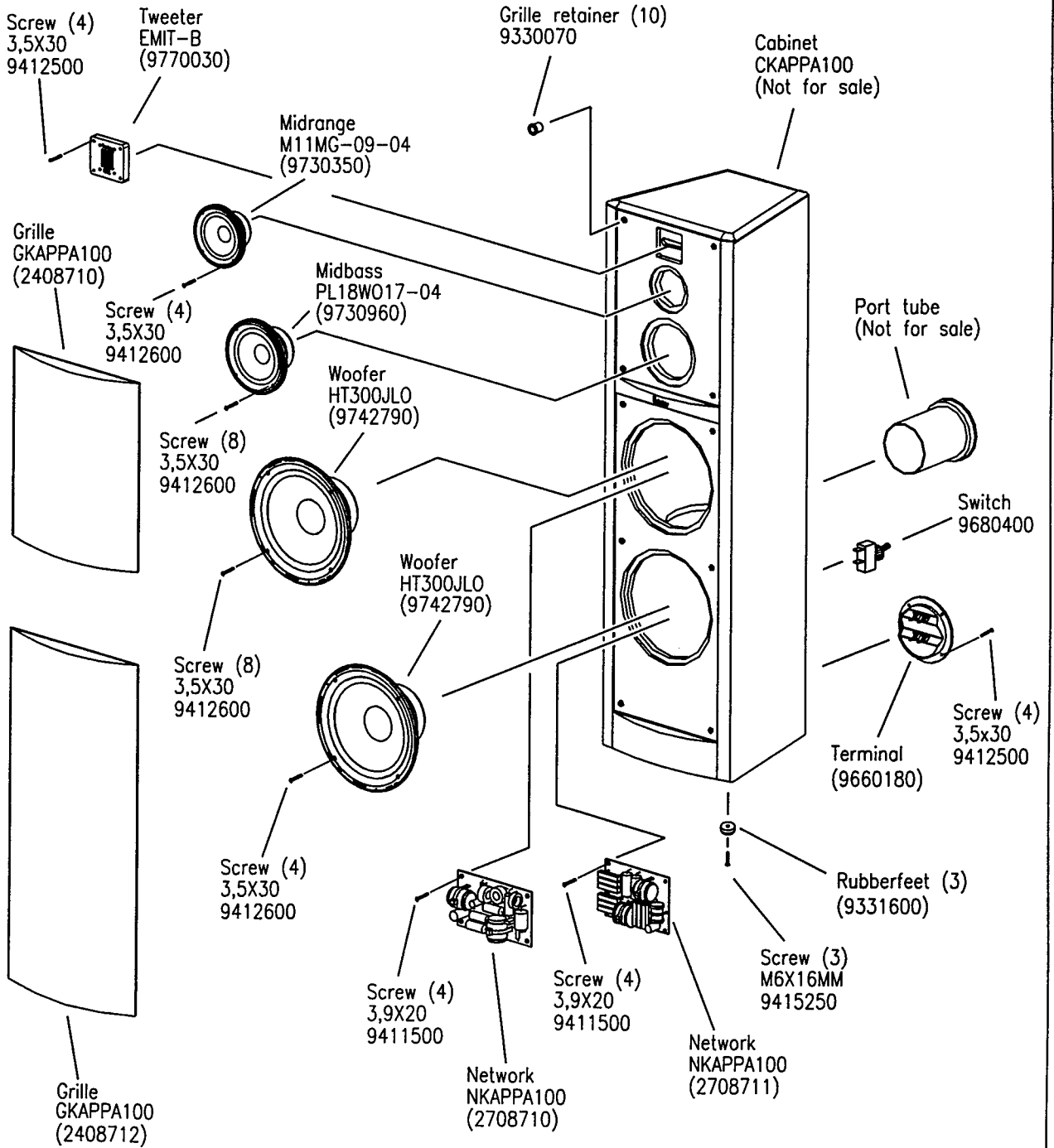
WIRING DIAGRAM



KAPPA-100

KAPPA-100

COMPONENT EXPLODED VIEW



KAPPA-100