

KAPPA-90



SPECIFICATIONS

ACOUSTIC & ELECTRICAL SPECIFICATIONS:

- * Nominal Impedance: 6-8 ohm
- * Recommended Amp Power: 30-300 W
- * Frequency Response: 35 Hz - 45 kHz (\pm 2dB)
- * Sensitivity: 89 dB / 2,8V / 1 m
- * Crossover frequency: 250 HZ / 3,5 KHZ

SYSTEM COMPONENTS:

- * Cabinet: CLKAPPA90 (Not for sale)
- * Grille: GLKAPPA90 (2408700)
- * Grille: GLKAPPA90 (2408702)
- * Woofer: HT240IY0 250mm Woofer
38mm voice coil
- DC Resistance: 12,2 ohm
- * Midrange: M11MG-09-04 115mm Midrange
25mm voice coil

SYSTEM COMPONENTS: (cont'd)

- DC Resistance: 3,4 ohm
- * Tweeter: EMIT-B
- DC Resistance: 3,8 ohm
- * Crossover Network: NKAPPA90 (2708700)
- * Crossover Network: NKAPPA90 (2708701)

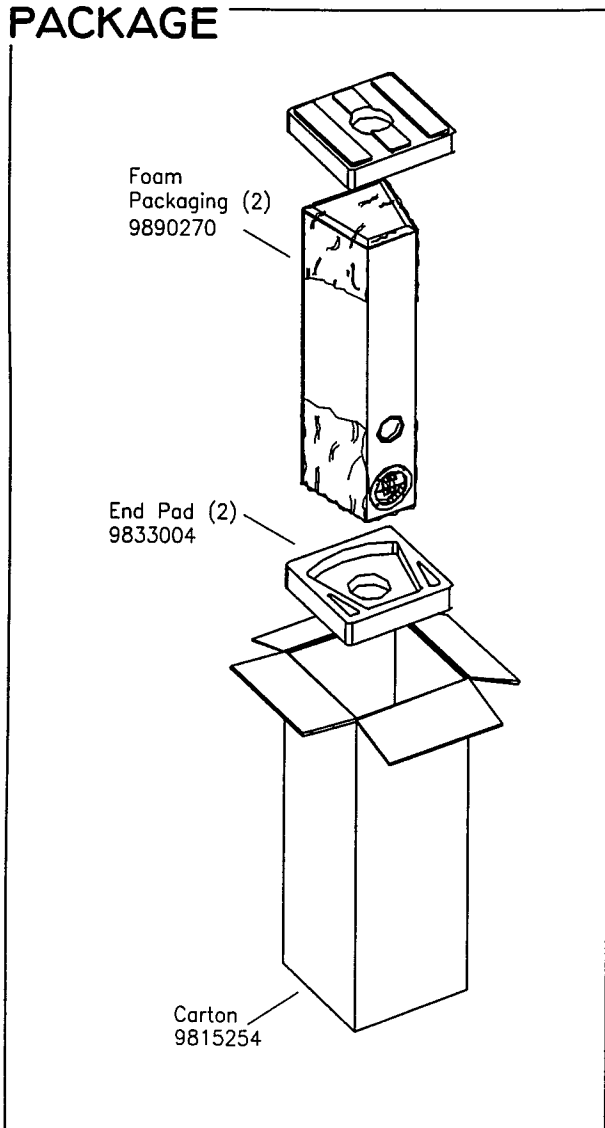
PHYSICAL SPECIFICATIONS:

- * Enclosure Dimensions (H.W.D): 48,0x15,35x14,76 In. D
(1220x390x375mm D)
- * Shipping Weight: 103 lbs. (47 kg.)

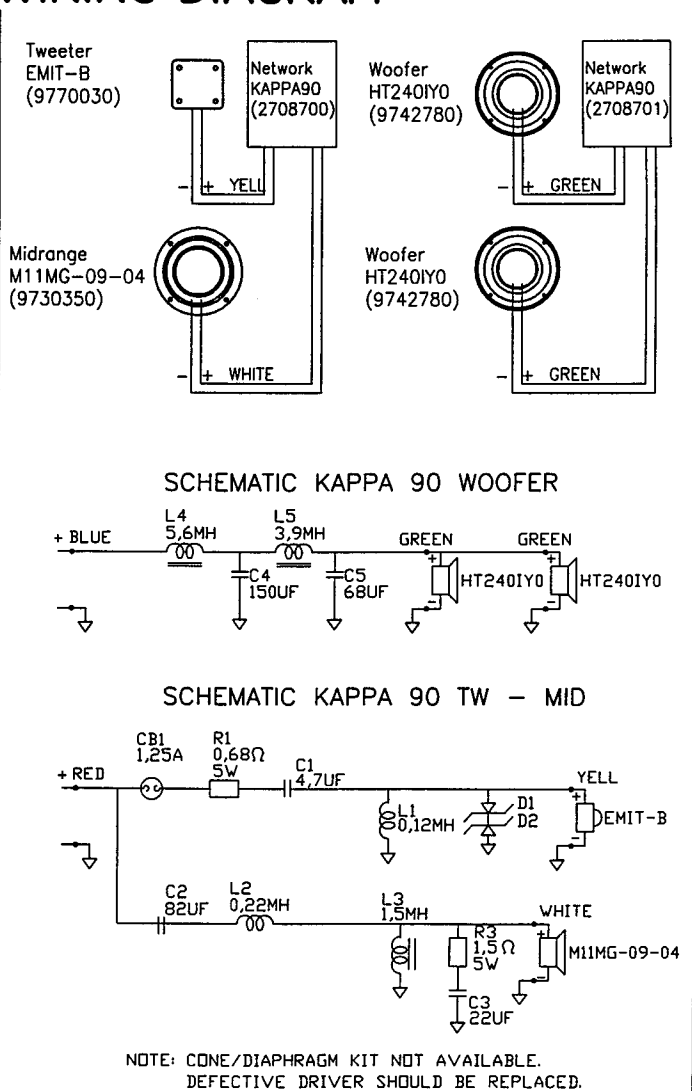
WARRANTY INFORMATION:

- * Refer to the Warranty Statement packed with each product

PACKAGE



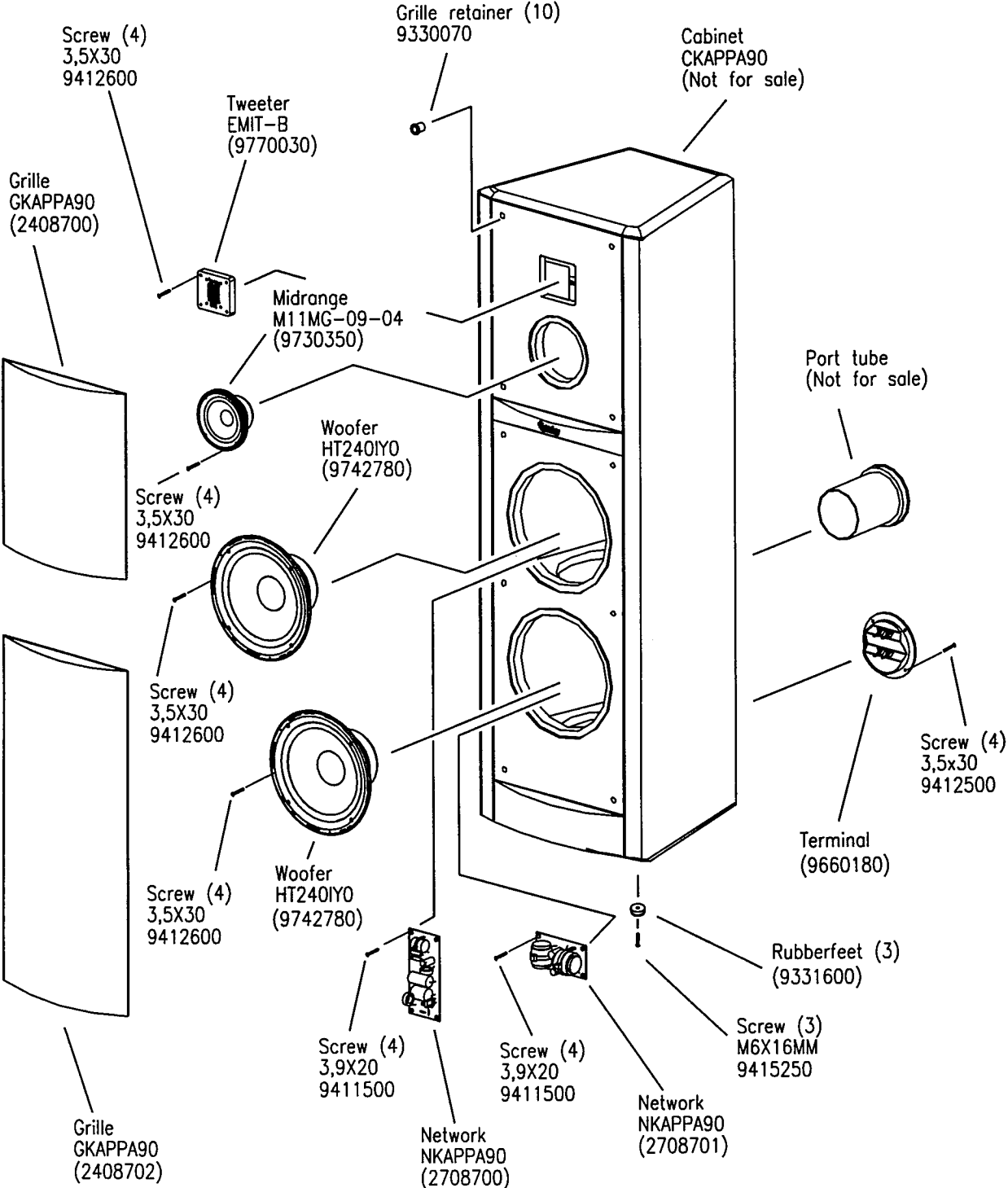
WIRING DIAGRAM



KAPPA-90

KAPPA-90

COMPONENT EXPLODED VIEW



KAPPA-90