

# KAPPA-80



## SPECIFICATIONS

### ACOUSTIC & ELECTRICAL SPECIFICATIONS:

- \* Nominal Impedance: 6-8 ohm
- \* Recommended Amp Power: 25-250 W
- \* Frequency Response: 40 Hz - 35 kHz ( $\pm 2$ dB)
- \* Sensitivity: 89 dB / 2,8V / 1 m
- \* Crossover frequency: 300 HZ / 3,5 KHZ

### SYSTEM COMPONENTS:

- \* Cabinet: CLKAPPA80 (Not for sale)
- \* Grille: GLKAPPA80 (2408690)
- \* Grille: GLKAPPA80 (2408692)
- \* Woofer: HT210IY6 210mm Woofer  
38mm voice coil  
11,6 ohm
- \* Midrange: M11MG-09-04 115mm Midrange  
25mm voice coil

### SYSTEM COMPONENTS: (cont'd)

- DC Resistance: 3,4 ohm
- \* Tweeter: EMIT-R
- DC Resistance: 3,4 ohm
- \* Crossover Network: NKAPPA80 (2708690)
- \* Crossover Network: NKAPPA80 (2708691)

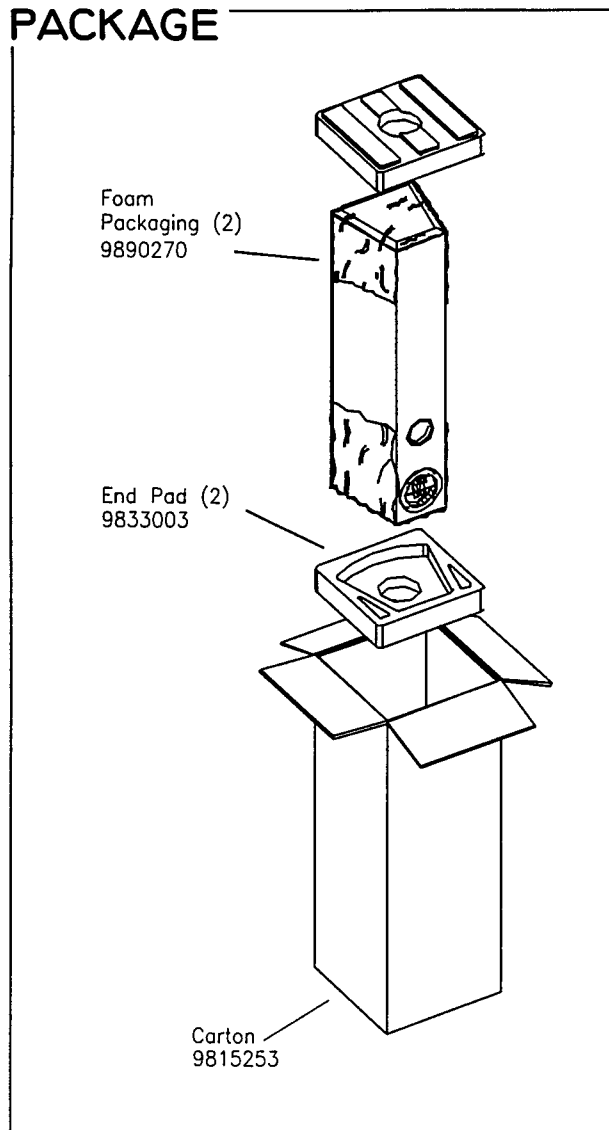
### PHYSICAL SPECIFICATIONS:

- \* Enclosure Dimensions (H.W.D): 42,5x13,3x12,9 In. D  
(1080x340x330mm D)
- \* Shipping Weight: 77 lbs. (35 kg.)

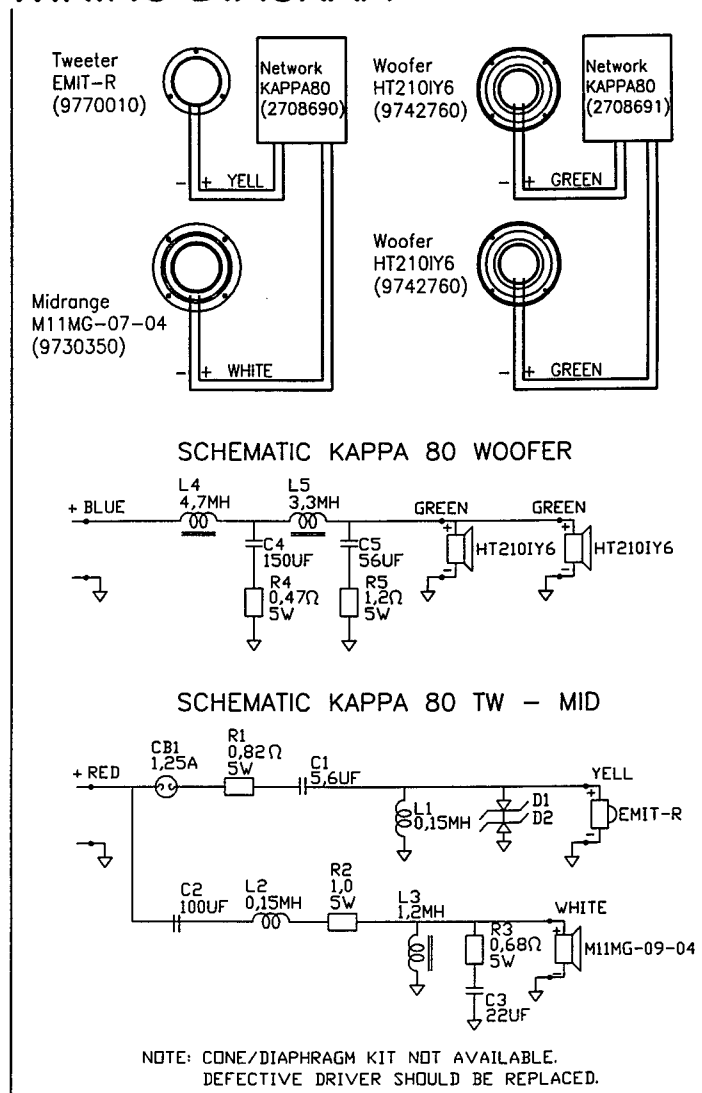
### WARRANTY INFORMATION:

- \* Refer to the Warranty Statement packed with each product

## PACKAGE



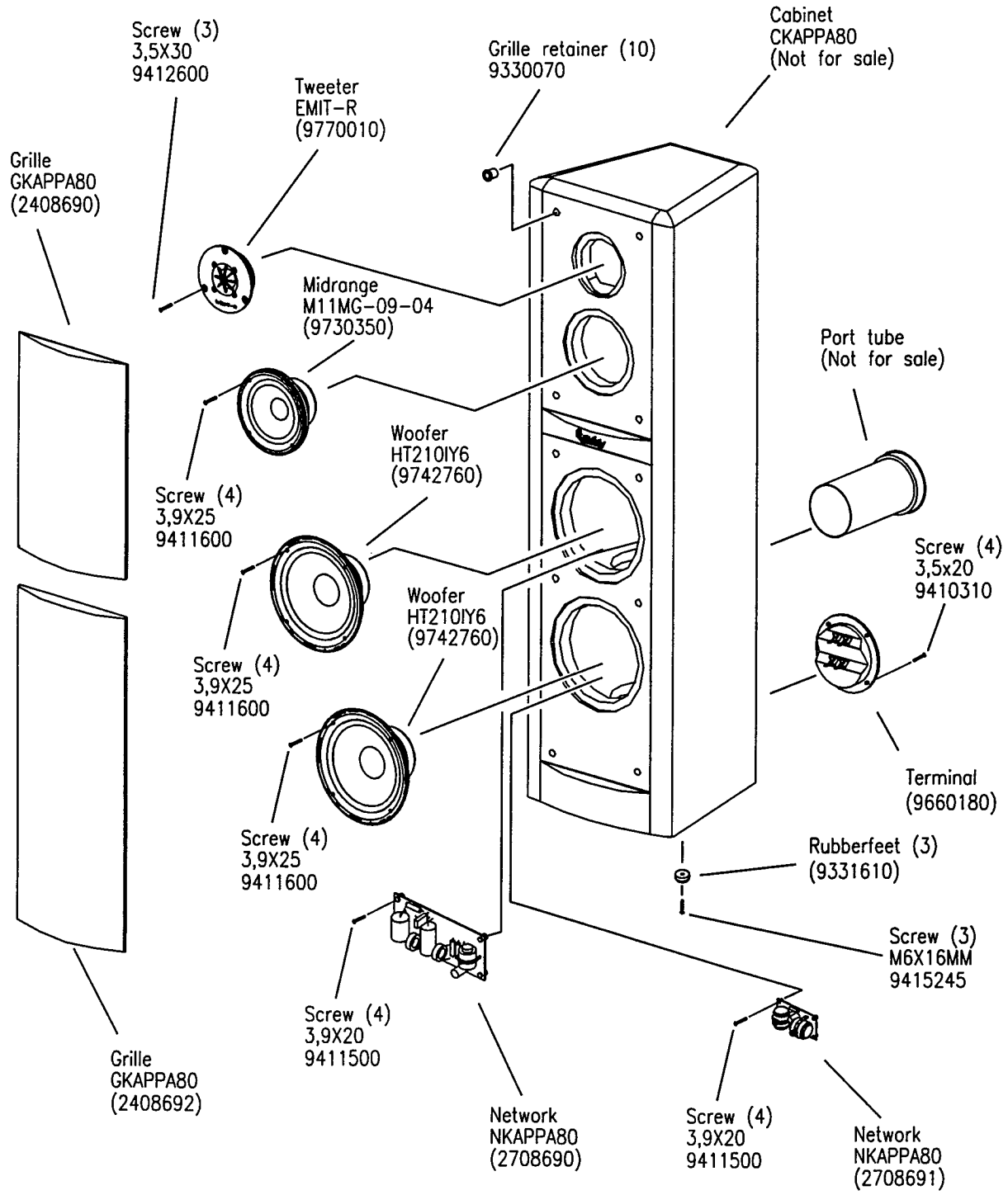
## WIRING DIAGRAM



**KAPPA-80**

# KAPPA-80

## COMPONENT EXPLODED VIEW



**KAPPA-80**