

EL20



SPECIFICATIONS

ACOUSTIC & ELECTRICAL SPECIFICATIONS:

- * Nominal Impedance: 8 ohm
- * Recommended Amp Power: 15-100W
- * Frequency Response: 60 Hz - 20 kHz (± 3 dB)
- * Sensitivity: 90 dB / 2,83V / 1 m
- * Crossover frequency: 600HZ / 3 kHz

SYSTEM COMPONENTS:

- * Cabinet: CEL20 (Not for sale)
- * Grille: GEL20 (2408550)
- * Woofer: HT210JL16 210mm Woofer
25mm voice coil
- DC Resistance: 6 ohm
- * Midrange: HT110JL10 110mm Midrange
25mm voice coil

SYSTEM COMPONENTS: (cont'd)

- DC Resistance: 4,2 ohm
- * Tweeter: TW010IY3 10mm
Dome Tweeter
- DC Resistance: 5,5 ohm
- * Crossover Network: NEL20 (2708550)

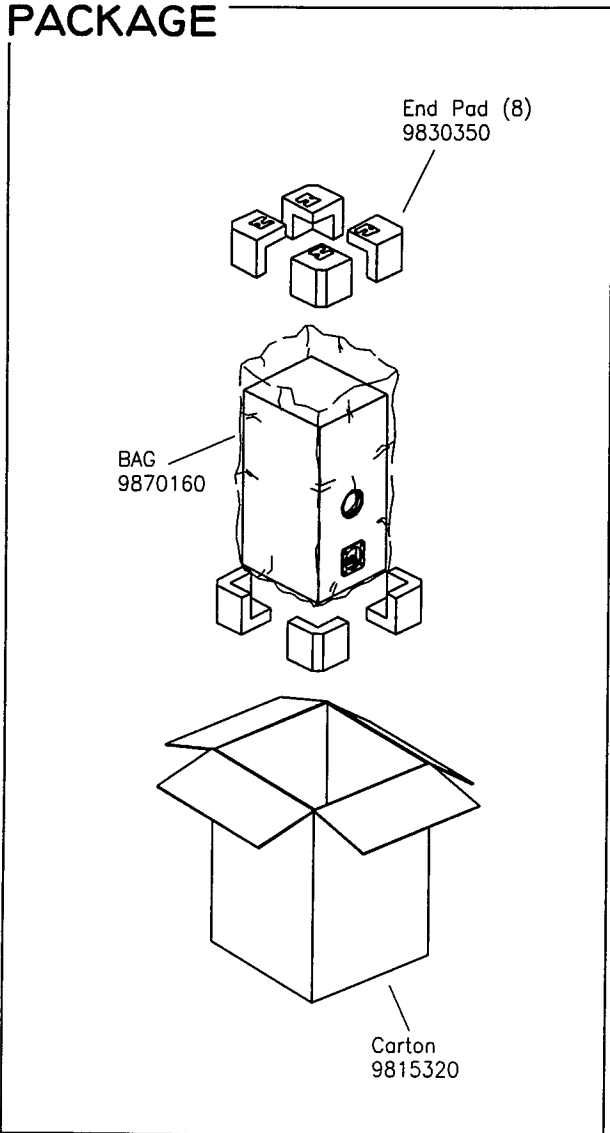
PHYSICAL SPECIFICATIONS:

- * Enclosure Dimensions (H.W.D): 20,5x9,7x11,6 in. D
(520x246x295mm D)
- * Shipping Weight: 24 lbs. (11 kg.)

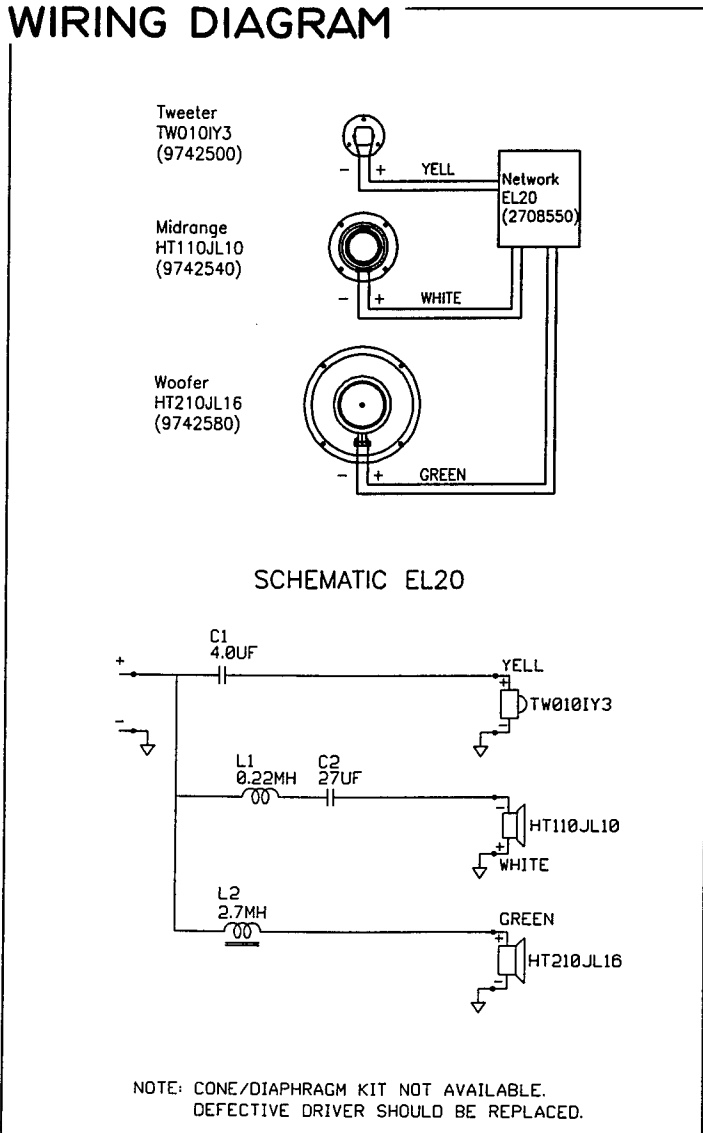
WARRANTY INFORMATION:

- * Refer to the Warranty Statement packed with each product

PACKAGE



WIRING DIAGRAM



EL20

Valid from serial no. 01001
Rev. 28/3-1996

COMPONENT EXPLODED VIEW

