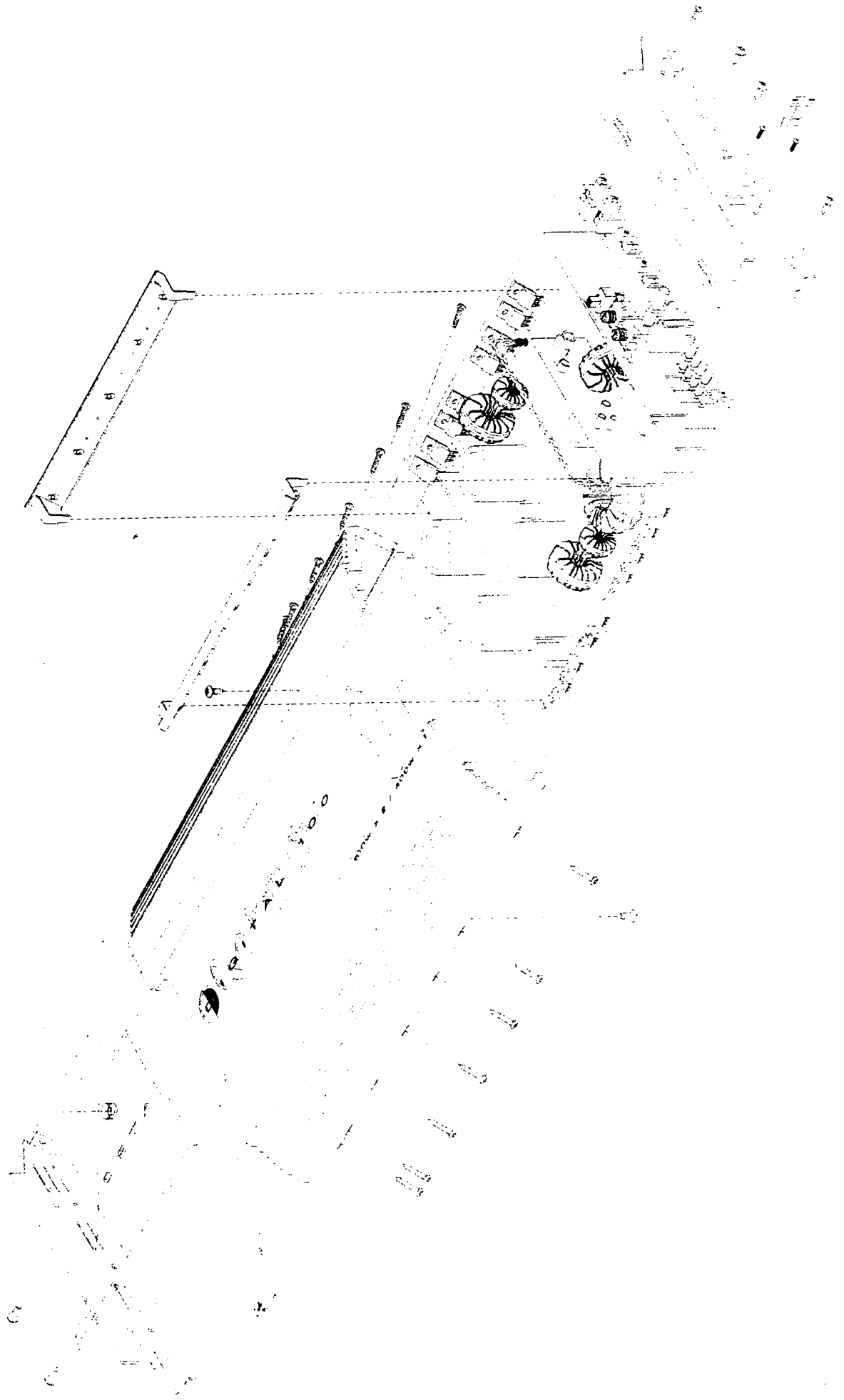
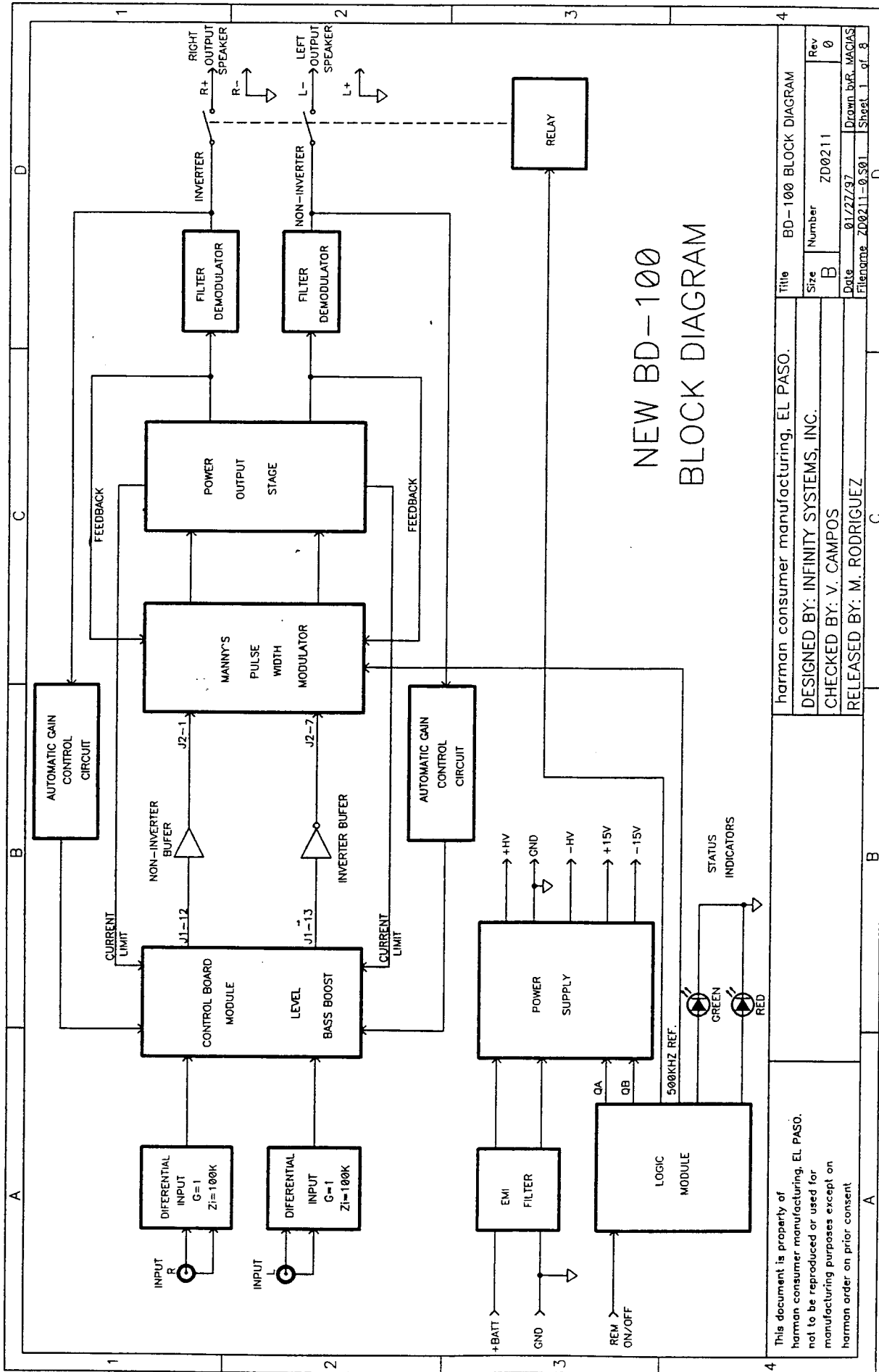


BD100

SCHEMATICS

BD 100

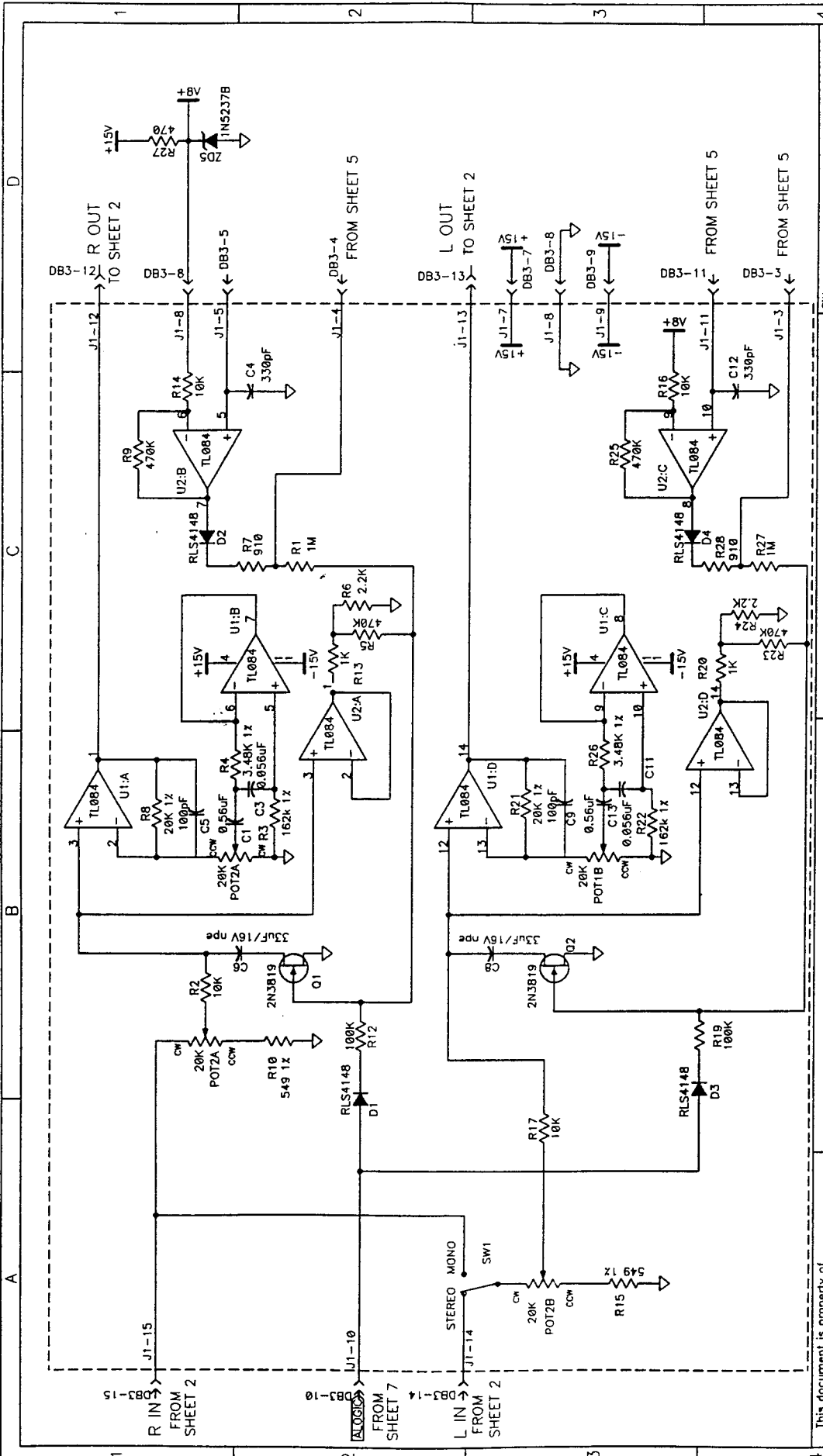




NEW BD-100 BLOCK DIAGRAM

harman consumer manufacturing, EL PASO.		Title		BD-100 BLOCK DIAGRAM	
DESIGNED BY: INFINITY SYSTEMS, INC.		Size	Number	Rev	0
CHECKED BY: V. CAMPOS		B	ZD0211	0	0
RELEASED BY: M. RODRIGUEZ		Date	01/27/97	Drawn by	MACIAS
		Filename	ZD0211-0.S01	Sheet	1 of 8

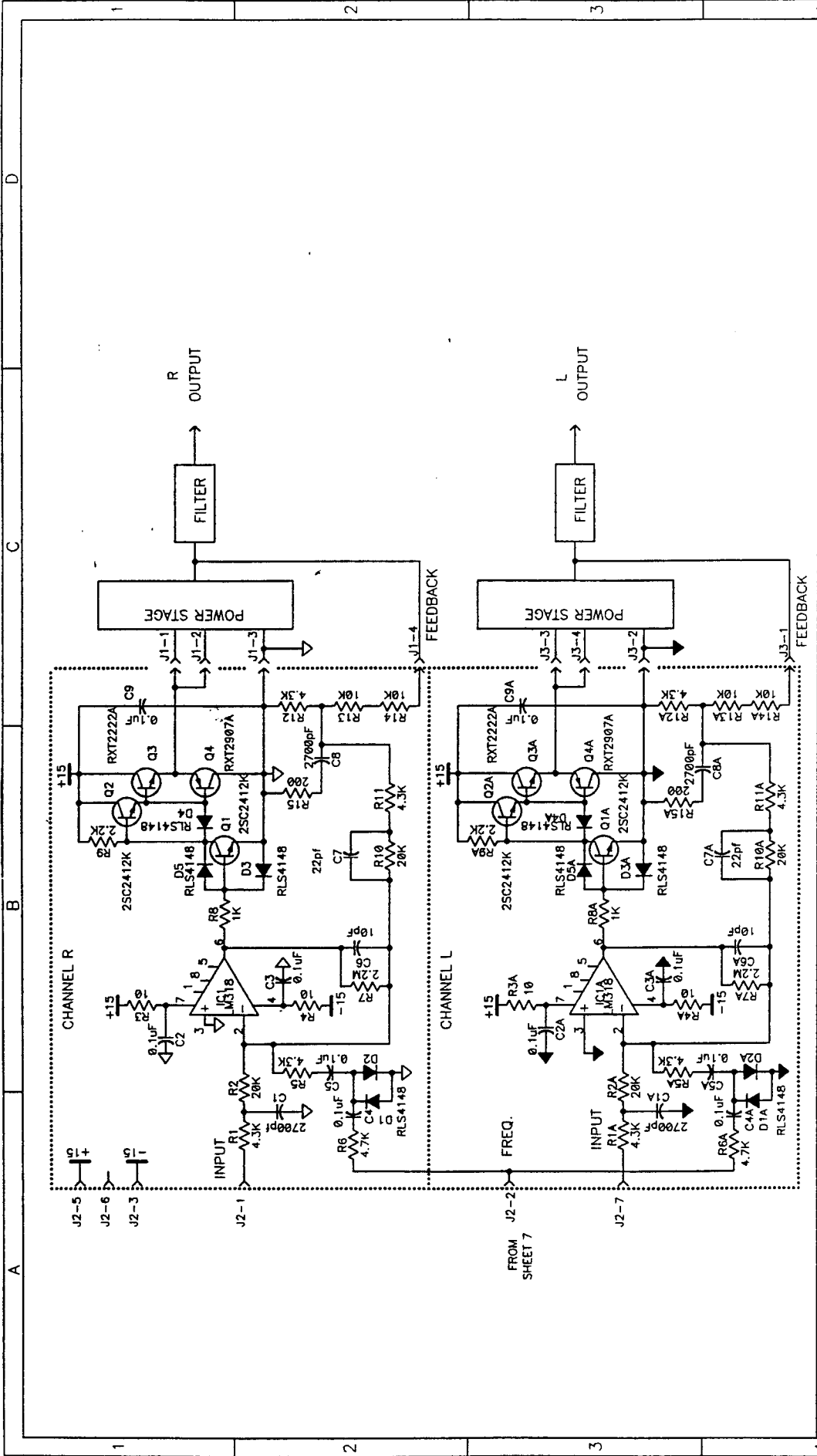
This document is property of
 harman consumer manufacturing, EL PASO.
 not to be reproduced or used for
 manufacturing purposes except on
 harman order on prior consent



This document is property of
 harman consumer manufacturing, EL PASO.
 not to be reproduced or used for
 manufacturing purposes except on
 harman order on prior consent

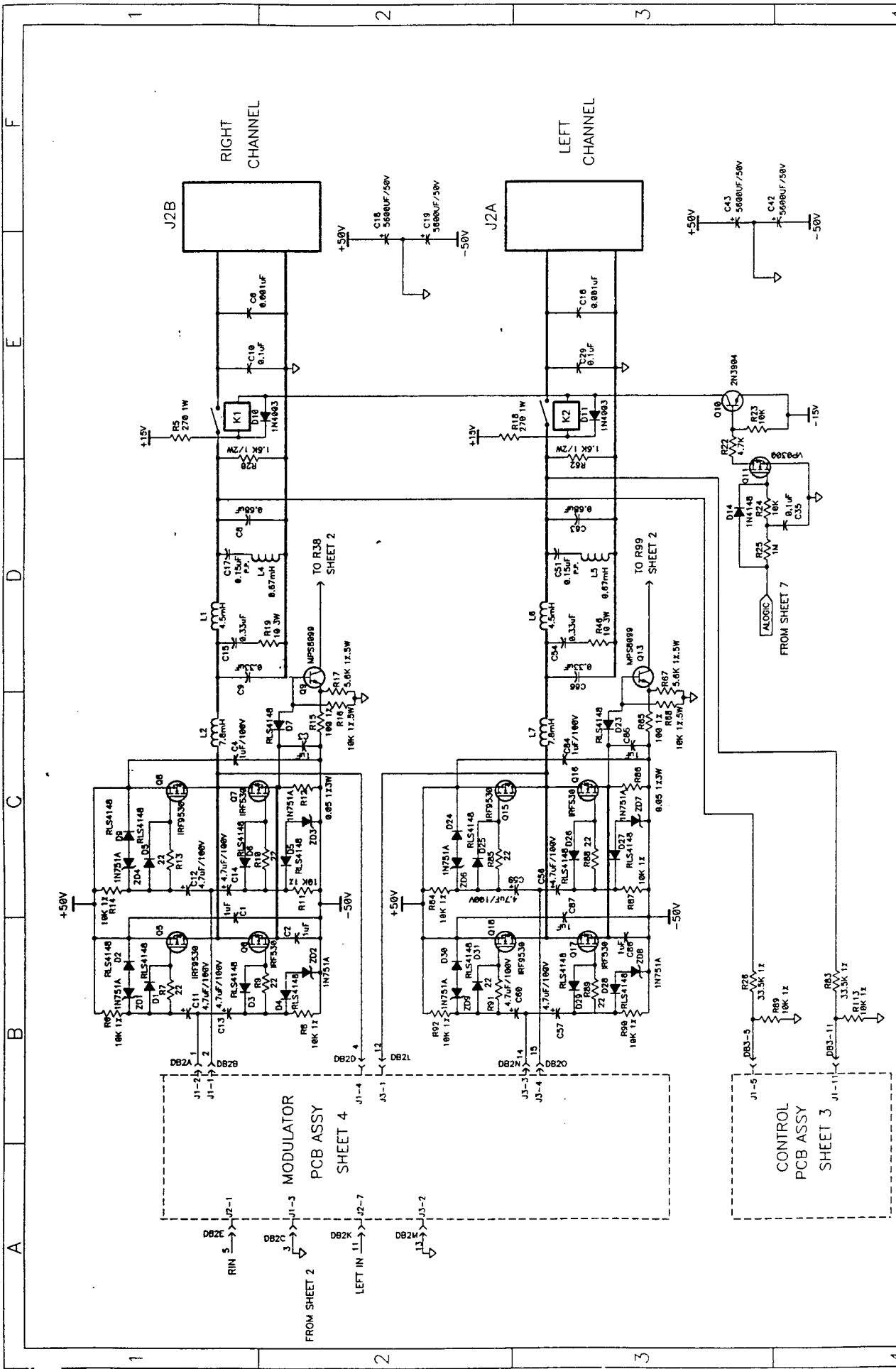
harman consumer manufacturing, EL PASO.
 DESIGNED BY: INFINITY SYSTEMS, INC.
 CHECKED BY: V. CAMPOS
 RELEASED BY: M. RODRIGUEZ

Title: BD-100 CONTROL PCB ASSY
 Size: Number ZD0211 Rev: 0
 Date: 01/27/97 Drawn by: R. MACIAS
 Filename: ZD0211-0.S03 Sheet: 3 of 8



Title MANNY'S RODRIGUEZ MODULATOR
 Size B Number ZD0211 Rev 0
 Designed by: M. RODRIGUEZ
 Checked by: V. C. FLORES
 Released by: M. RODRIGUEZ
 Date 01/27/97 Drawn by R. MACIAS
 Filename ZD0211-0.S04 Sheet 4 of 8

This document is property of
 harman consumer manufacturing, ELP.
 not to be reproduced or used for
 manufacturing purposes except on
 harman order on prior consent

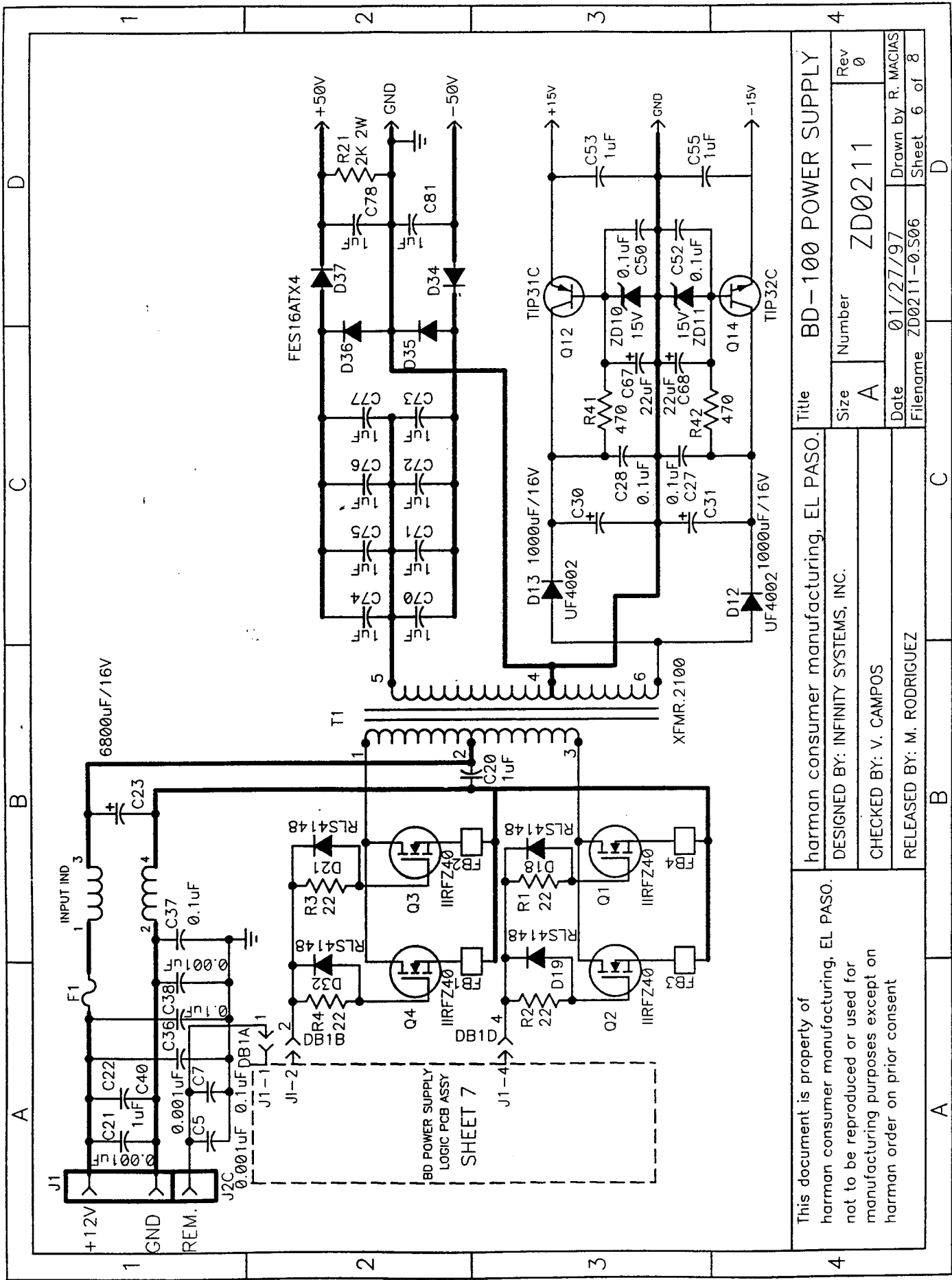


Title		BD-100 POWER AMP	
Size	Number	ZD0211	
Rev	0		
Date	01/27/97	Drawn by R. MACIAS	
Filename	ZD0211-0.505	Sheet 5 of 8	

harman consumer manufacturing, EL PASO.
 DESIGNED BY: INFINITY SYSTEMS, INC.
 CHECKED BY: V. CAMPOS
 RELEASED BY: M. RODRIGUEZ

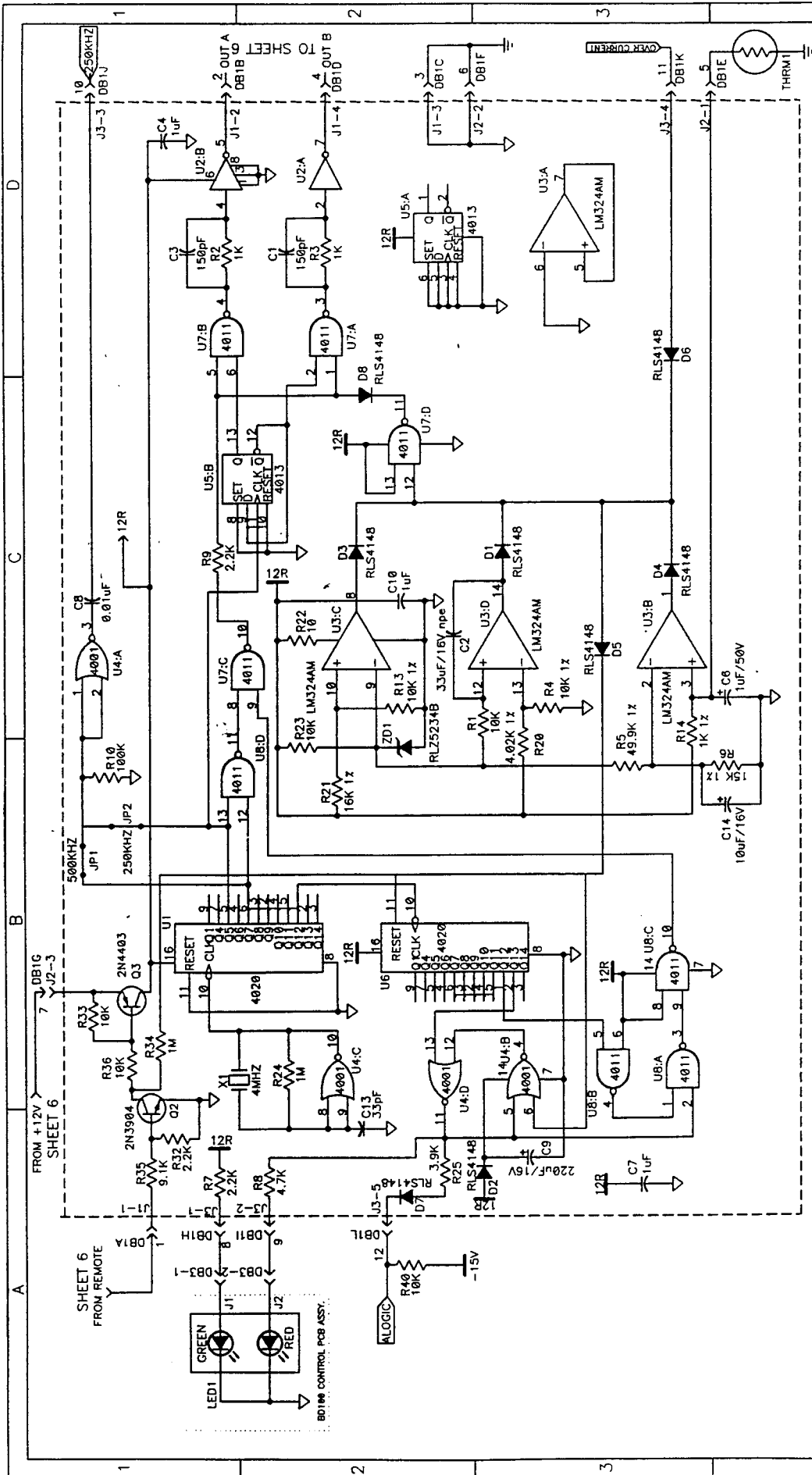
This document is property of
 harman consumer manufacturing, EL PASO.
 not to be reproduced or used for
 manufacturing purposes except on
 harman order on prior consent

A B C D E F
 1 2 3 4



This document is property of harman consumer manufacturing, EL PASO. not to be reproduced or used for manufacturing purposes except on harman order on prior consent		harman consumer manufacturing, EL PASO.		Title	
		DESIGNED BY: INFINITY SYSTEMS, INC.		BD-100 POWER SUPPLY	
		CHECKED BY: V. CAMPOS		Size	
		RELEASED BY: M. RODRIGUEZ		A	
				Date	
				01/27/97	
				Rev	
				0	
				Number	
				ZD0211	
				Drawn by R. MACIAS	
				Sheet 6 of 8	
				Filename ZD0211-0.S06	

BD POWER SUPPLY
LOGIC PCB ASSY
SHEET 7



TITLE		BD-100 P. S. LOGIC PCB ASSY	
DESIGNED BY:		INFINITY SYSTEMS, INC.	
CHECKED BY:		V. CAMPOS	
RELEASED BY:		M. RODRIGUEZ	
Size	Number	Rev	
B	ZD0211	0	
Date	01/27/97		Drawn by R. MACIAS
Filename	ZD0211-0.S07		Sheet 7 of 8

This document is property of harman consumer manufacturing, EL PASO. not to be reproduced or used for manufacturing purposes except on harman order on prior consent

harman consumer manufacturing, EL PASO.