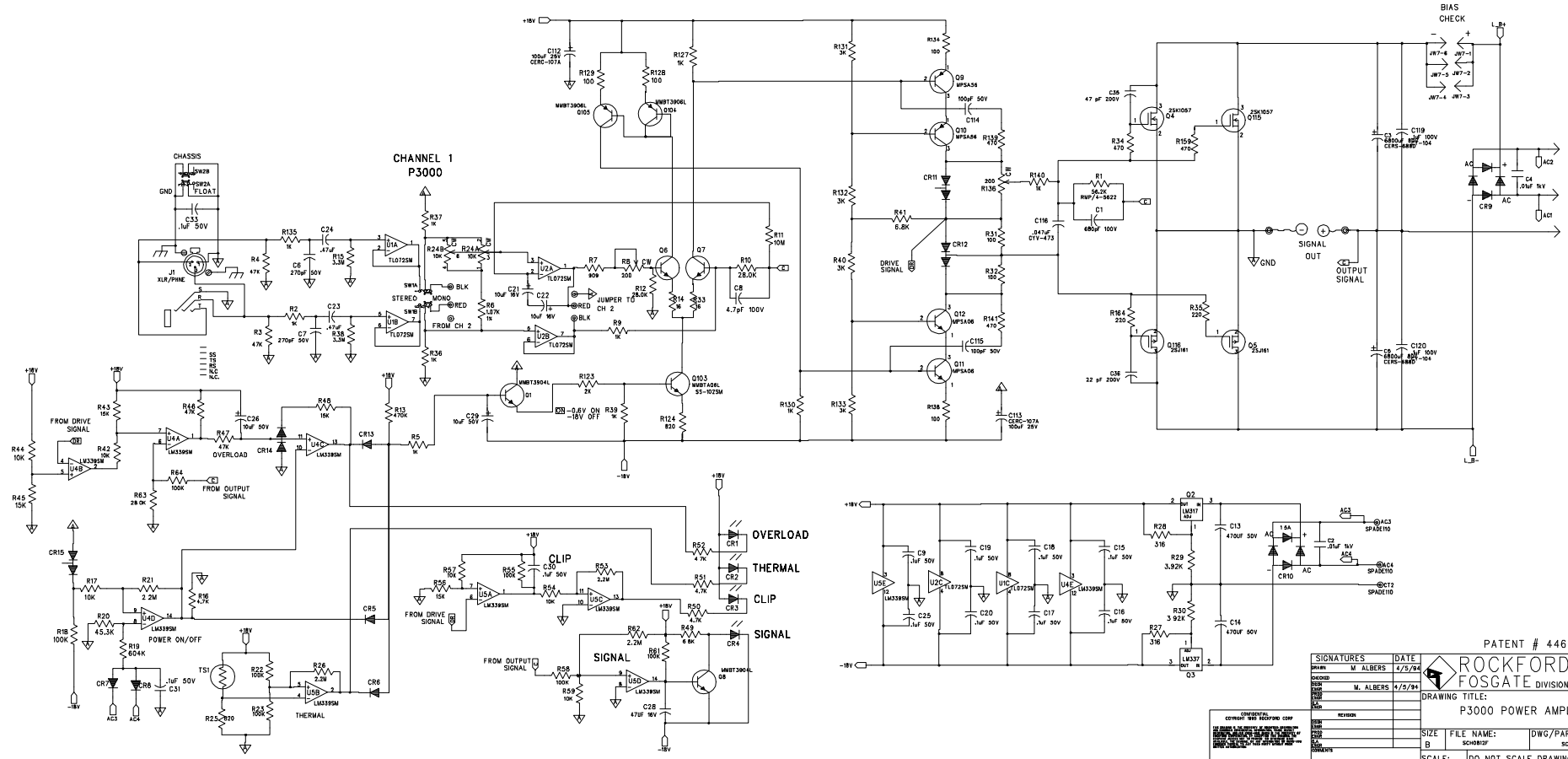


DRAWING REVISION RECORD					
ZONE	REV	PAGE	DESCRIPTION	DATE	APPROVED
A			ECC 3884 REV F SCHEMATIC RELEASE	11-80	H. WALLER
B			ECC 4159 REPLACE R9/74-1022 (1K) REF DES R46 WITH R9/4-1530 (15K)	1-86	H. WALLER
C			ECC 4187 REPLACE T1-0863-D WITH T1-0830-C UNTIL REV C IS DONE	1-86	H. WALLER

NOTES: UNLESS SPECIFIED OTHERWISE
 1. ALL RESISTORS IN OHMS.
 2. ALL CAPACITORS IN MICROFARADS.
 3. CHANNEL 1 ONLY SHOWN.

I
H
G
F
E
D
C
B
A



SIGNATURES		DATE
DESIGNED BY	M. ALBERS	4/5/84
DRAWN BY	M. ALBERS	4/5/84
CHECKED BY		
APPROVED BY		

PATENT # 4467288

ROCKFORD CORPORATION
 FOSGATE DIVISION TEMPE AZ

DRAWING TITLE:
P3000 POWER AMPLIFIER

SIZE	FILE NAME:	DWG/PART NO:	REV
B	SCH0827	SOI-0812-F	C
SCALE:	DO NOT SCALE DRAWING	SHEET 1	OF 1

COMPONENTS
 CONTAINED HEREIN ARE THE PROPERTY OF ROCKFORD CORPORATION AND ARE NOT TO BE REPRODUCED OR TRANSMITTED IN ANY FORM OR BY ANY MEANS, ELECTRONIC OR MECHANICAL, INCLUDING PHOTOCOPYING, RECORDING, OR BY ANY INFORMATION STORAGE AND RETRIEVAL SYSTEM.