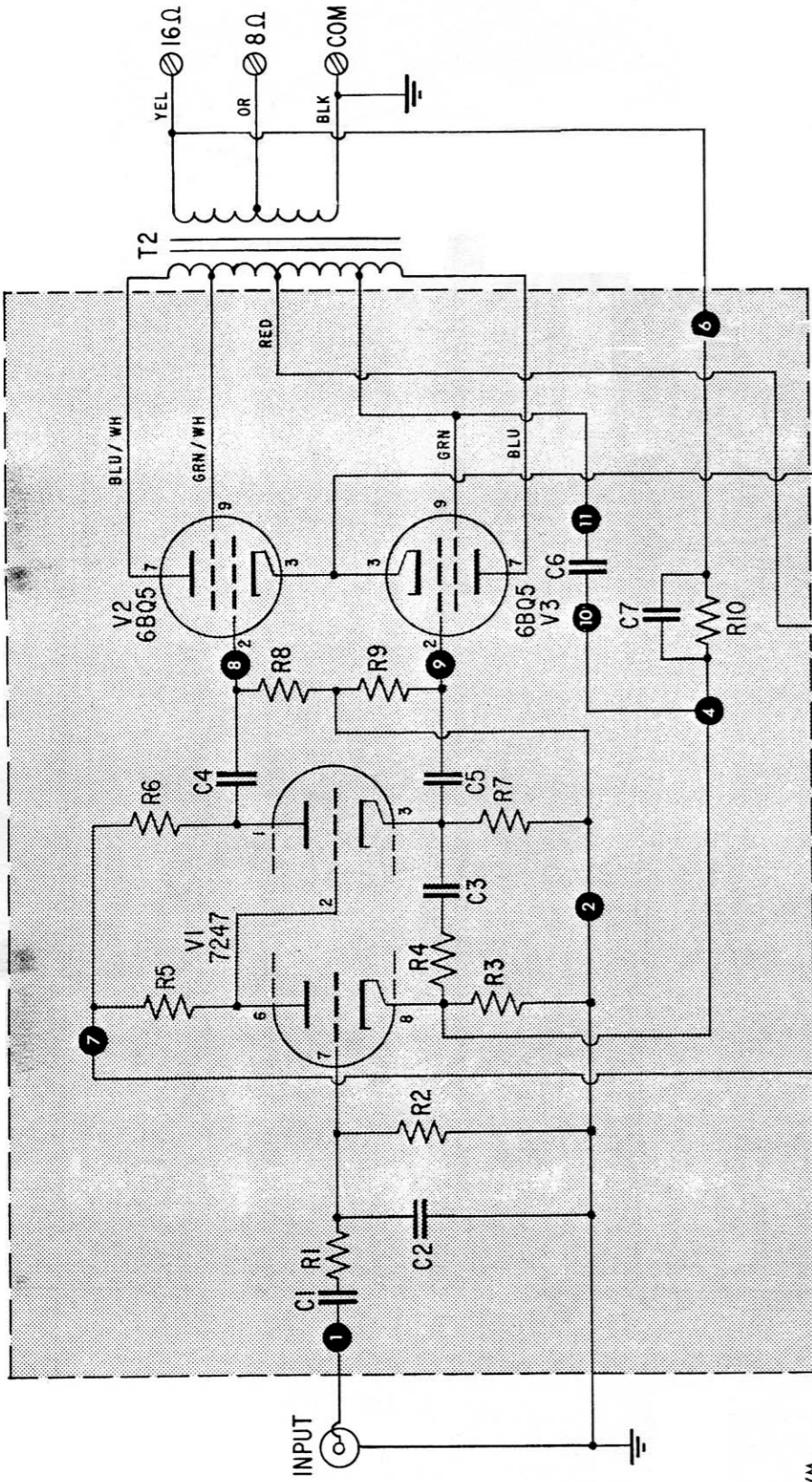


SCHEMATIC DIAGRAM

**LEFT CHANNEL
PC-13**



Voltages shown measured from tube pin to chassis with VTVM.

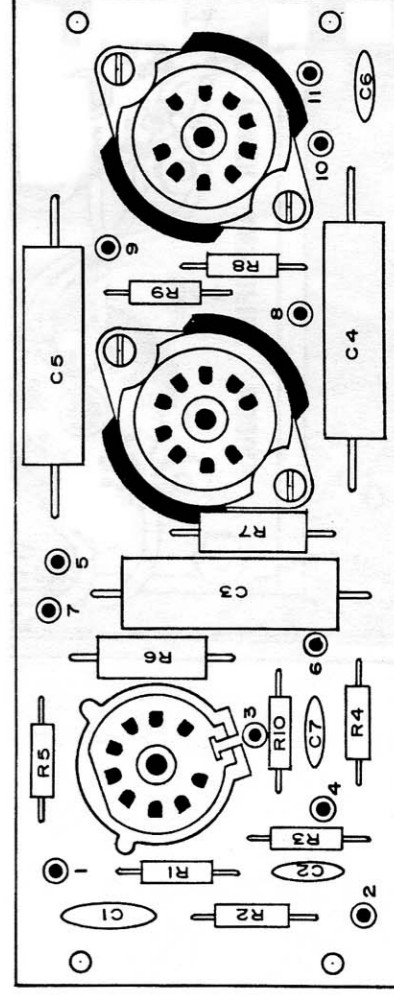
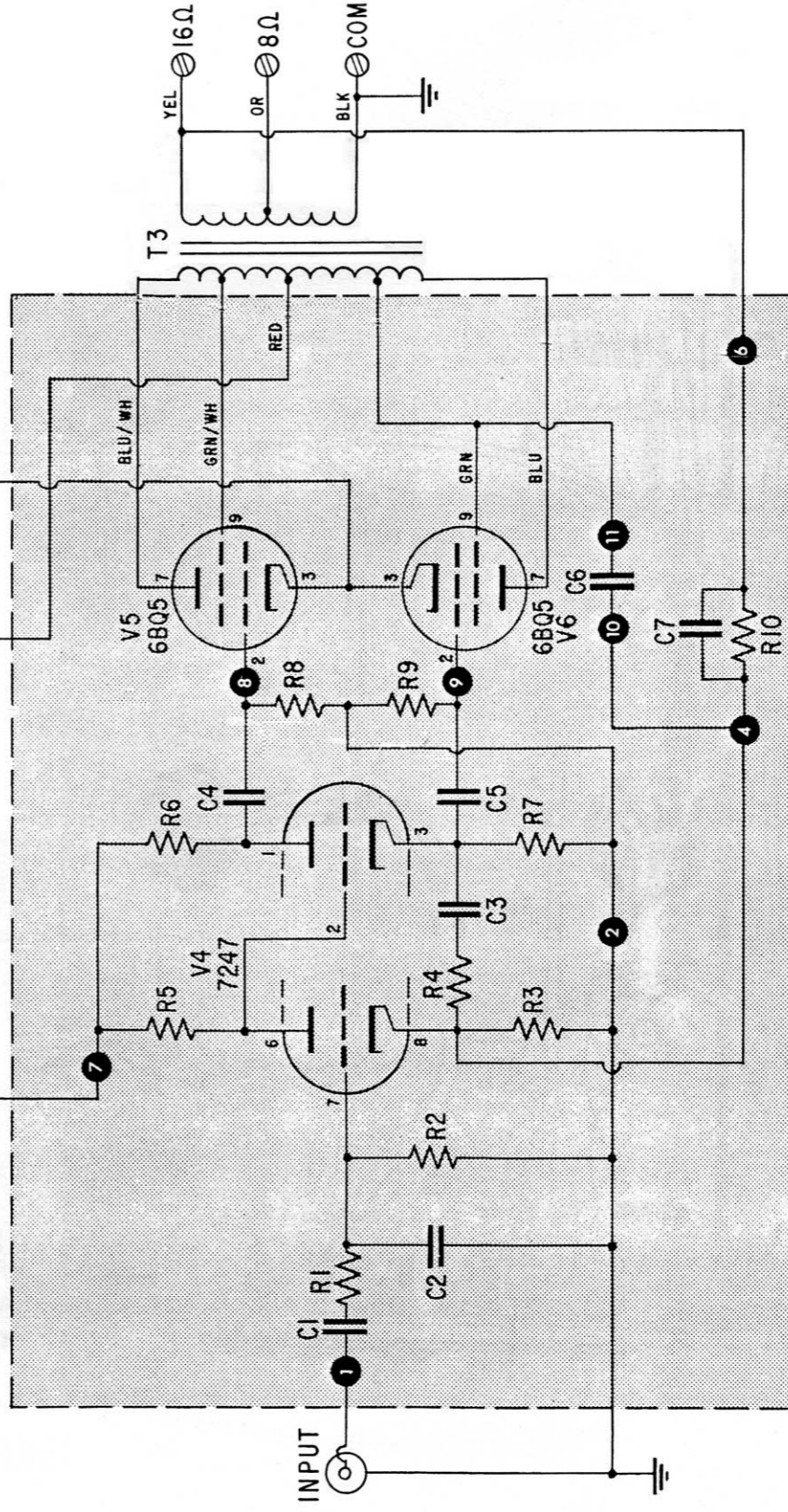
VOLTAGE CHART

PIN	V-1	V-2	V-3	V-4	V-5	V-6
1	215	0*	0*	230	0*	0*
2	112	0	0	112	0	0
3	116	13.5	13.5	116	13.5	13.5
4	485 109	6.3AC	6.3AC	485 109	6.3AC	6.3AC
5	6.3AC	6.3AC	6.3AC	6.3AC	6.3AC	6.3AC
6	112	0*	0*	112	0*	0*
7	0	370	370	0	370	370
8	.85	0*	0*	.85	0*	0*
9	375	375	375	375	375	375
QUAD						
1	2	3	4			
385	380	320	13.5			

* Unused pins may have internal connections, therefore some tubes (depending on brand), may have voltages appear at these points.

● denotes eyelets

**RIGHT CHANNEL
PC-13**



PARTS LIST FOR SCHEMATIC DIAGRAM

Parts marked (*) are mounted on circuit board PC-13

- RESISTORS**
- R 1* 47K 1/2W 10% yellow, violet, orange 112473
 - R 2* 470K 1/2W 10% yellow, violet, yellow 112474
 - R 3* 1.3K 1/2W 5% brown, orange, red 113142
 - R 4* 150K 1/2W 5% brown, green, yellow 113154
 - R 5* 300K 1/2W 5% orange, black, yellow 113304
 - R 6* 27K 1W 5% red, violet, orange 113273
 - R 7* 350K 1W 5% orange, orange, orange 113333
 - R 8* 470K 1/2W 10% yellow, violet, orange 112474
 - R 9* 270K 1/2W 10% yellow, violet, yellow 112474
 - R 10* 270K 1/2W 10% red, violet, yellow 113273
 - R 11 6.8K 1W 10% red, violet, orange 114682
 - R 12 50 5W 10% blue, gray, red 120500
 - R 13 95 5W 5% 120950

- CAPACITORS**
- C1* 1 mfd 16 V 223104
 - C2* 33 pf 500 V 240230
 - C3* 22 mfd 500 V 240230
 - C4* 1 mfd 400 V 266104
 - C5* 1 mfd 400 V 266104
 - C6* 18 pf 500 V 247181
 - C7* 27 pf 500 V 247271
 - C8A 60 mfd 450 V 297227
 - C8B 40 mfd 450 V 297227
 - C8C 20 mfd 450 V 297227
 - C8D 100 mfd 25 V 297227

- Part No.**
- T1 Power Transformer 2A-774 464774
 - T2 Output Transformer 7.565 454565
 - T3 Output Transformer 7.565 454565
 - D1 Silicon Rectifier Diode, 500 ma 1000 PIV 544529
 - D2 Silicon Rectifier Diode, 500 ma 1000 PIV 544529