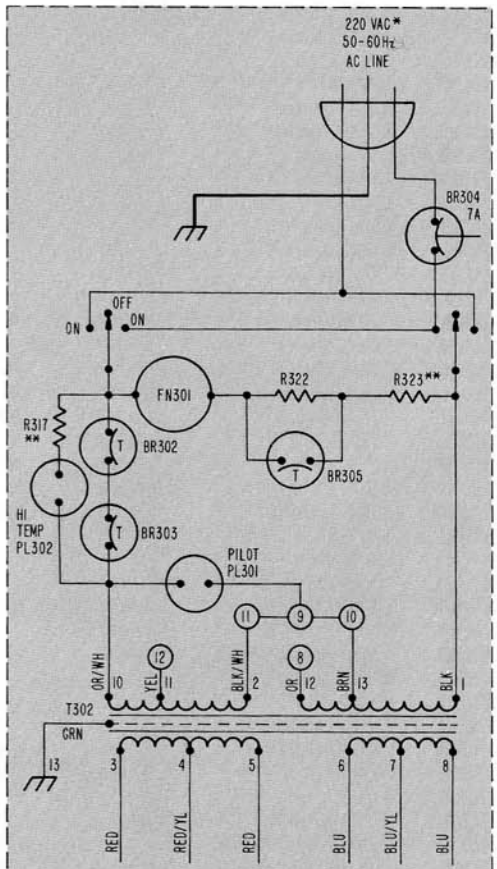
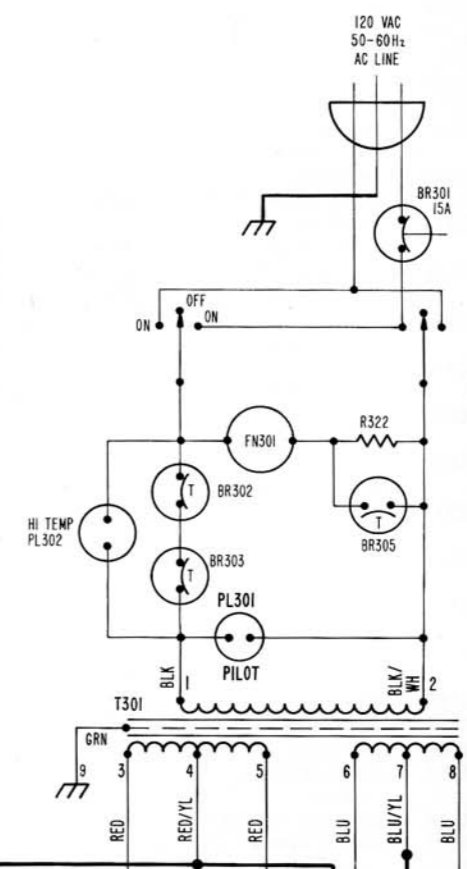
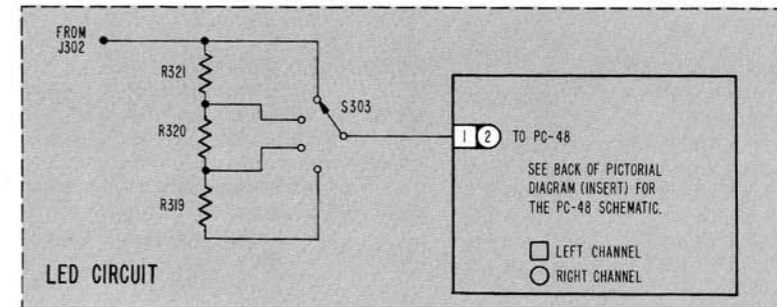
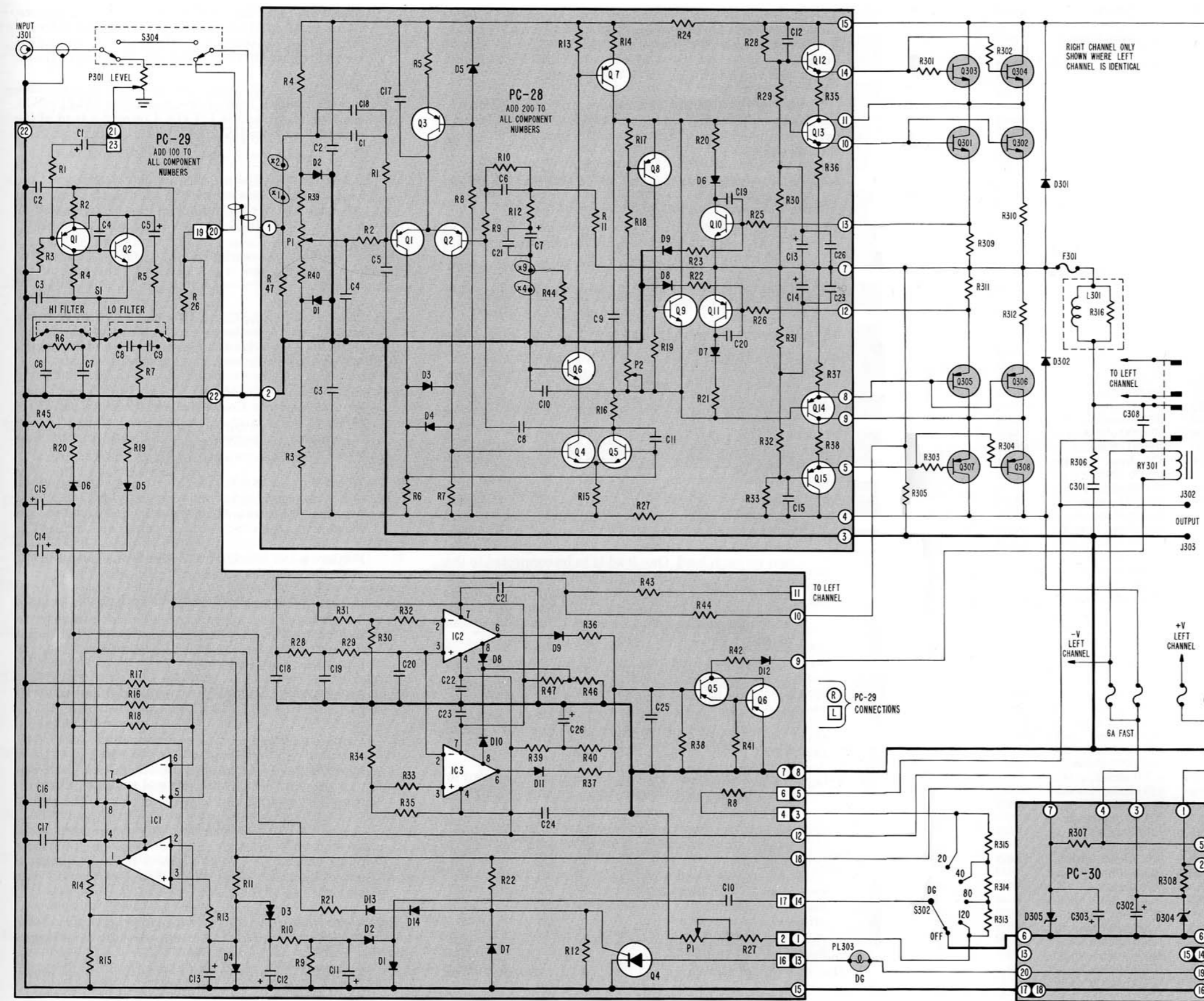


SCHEMATIC DIAGRAM

©1977 DYNACO INC.



PC-29 CONNECTIONS

RIGHT CHANNEL ONLY SHOWN WHERE LEFT CHANNEL IS IDENTICAL

○ DENOTES PC-30 HOLES

COMPONENT VALUES

All resistors are 1/4 watt, 5% unless otherwise indicated.

		PART#		PART#		PART#		
R101	470 ohms	119471	R229	750 ohms	110751	R422	10,000 ohms	119103
R102	1,000 ohms	119102	R230	5% 2 watt	116301	R423	470,000 ohms	119474
R103	120,000 ohms	119124	R231	300 ohms	116301	R424	24,000 ohms	119243
R104	10,000 ohms	119103	R232	5% 1 watt	116301	R425	820 ohms, 1/2 watt	113821
R105	470 ohms	119471	R233	300 ohms	116301	R426	5,600 ohms	119562
R106	470 ohms	119471	R234	5% 1 watt	116301	R427	7,500 ohms	119752
R107	18,000 ohms	119183	R235	750 ohms	110751	R428	47,000 ohms	119473
R108	3,900 ohms	119392	R236	5% 2 watt	110751	R429	10,000 ohms	119103
R109	15,000 ohms	119153	R237	1,000 ohms	110102	R430	470,000 ohms	119474
R110	10,000 ohms	119103	R238	5% 2 watt	110102	R431	20,000 ohms	119203
R111	100 000 ohms	119104	R239	47 ohms	103470	R432	820 ohms, 1/2 watt	113821
R112	680 ohms	119681	R240	5% 1/2 watt AB	103470	R433	47,000 ohms	119473
R113	100,000 ohms	119104	R241	47 ohms	103470	R434	10,000 ohms	119103
R114	100,000 ohms	119104	R242	5% 1/2 watt AB	103470	R435	470,000 ohms	119474
R115	10,000 ohms	119103	R243	47 ohms	103470	R436	20,000 ohms	119203
R116	10,000 ohms	119103	R244	5% 1/2watt AB	103470	R437	820 ohms, 1/2 watt	113821
R117	5,100 ohms	119512	R245	47 ohms	103470	R438	7,500 ohms	119752
R118	10,000 ohms	119103	R246	5% 1/2 watt AB	103470	R439	5,600 ohms	119562
R119	100 ohms	119101	R247	1,000 ohms	119102	R440	20,000 ohms	119203
R120	100 ohms	119101	R248	1,000 ohms	119102	R441	15,000 ohms	119153
R121	2,200 ohms	119222	R249	200,000 ohms	119204	R442	470,000 ohms	119474
R122	8,200 ohms	119822	R250	39 ohms	119390	R443	20,000 ohms	119203
R126	620 ohms	119621	R251	39 ohms	119390	R444	820 ohms, 1/2 watt	113821
R127	100 ohms	119101	R252	330,000 ohms	119334	R445	20,000 ohms	119203
R128	150,000 ohms	119154	R301	10 ohms	110100	R446	15,000 ohms	119153
R129	150,000 ohms	119154	R302	5% 10 watt	110100	R447	470,000 ohms	119474
R130	1,000 ohms	119102	R303	10 ohms	110100	R448	20,000 ohms	119203
R131	7,500 ohms	119752	R304	5% 10 watt	110100	R449	820 ohms, 1/2 watt	113821
R132	390,000 ohms	119394	R305	10 ohms	110100	R450	15,000 ohms	119153
R133	390,000 ohms	119394	R306	5% 10 watt	110100	R451	5,600 ohms	119562
R134	1,000 ohms	119102	R307	1000 ohms	120102	R452	10,000 ohms	119103
R135	7,500 ohms	119752	R308	10% 10 watt	120102	R453	15,000 ohms	119153
R136	3,300 ohms	119332	R309	10% 10 watt	120100	R454	470,000 ohms	119474
R137	3,300 ohms	119332	R310	10% 10 watt	120100	R455	20,000 ohms	119203
R138	47,000 ohms	119473	R311	10 ohms	120180	R456	820 ohms, 1/2 watt	113821
R139	5,600 ohms	119562	R312	10% 10 watt	120180	R457	10,000 ohms	119103
R140	5,600 ohms	119562	R313	850 ohms	120851	R458	15,000 ohms	119153
R141	10,000 ohms	119103	R314	10% 10 watt	120851	R459	470,000 ohms	119474
R142	360 ohms	110361	R315	850 ohms	120851	R460	20,000 ohms	119203
R143	5% 2 watt	110361	R316	10% 10 watt	120851	R461	820 ohms, 1/2 watt	113821
R144	200,000 ohms	119204	R317	0.18 ohm	120180	R462	15,000 ohms	119153
R145	100,000 ohms	119104	R318	3% 10 watt	120180	R463	3,000 ohms	119302
R146	390,000 ohms	119394	R319	0.18 ohm	120180	R464	10,000 ohms	119103
R147	2,200 ohms	119222	R320	3% 10 watt	120180	R465	15,000 ohms	119153
R201	1,000 ohms	119102	R321	0.18 ohm	120180	R466	1,000,000 ohms	119105
R202	22,000 ohms	119223	R322	3% 10 watt	120180	R467	20,000 ohms	119203
R203	33,000 ohms	119333	R323	0.18 ohm	120180	R468	820 ohms, 1/2 watt	113821
R204	33,000 ohms	119333	R324	3% 10 watt	120180	R469	10,000 ohms	119103
R205	4,700 ohms	119472	R325	82 ohms	119820	R470	15,000 ohms	119153
R206	2,200 ohms	119222	R326	220 ohms	119221	R471	1,000,000 ohms	119105
R207	2,200 ohms	119222	R327	300 ohms	119301	R472	20,000 ohms	119203
R208	100,000 ohms	119104	R328	100,000 ohms	102104	R473	820 ohms	118821
R209	100 ohms	119101	R329	1/2 watt	103030	R474	15,000 ohms	119153
R210	22,000 ohms	119223	R330	3.3 ohm 1/2 watt	103030	R475	1,500 ohms	119152
R211	6,200 ohms	119223	R331	10,000 ohms	119103	R476	10,000 ohms	119103
R212	220 ohms	119221	R332	10,000 ohms	119103	R477	15,000 ohms	119153
R213	130 ohms	119131	R333	18,000 ohms	119183	R478	1,000,000 ohms	119105
R214	150 ohms	119151	R334	600 ohms	120601	R479	4,700 ohms	119472
R215	100 ohms	119101	R335	5% 10 watt	120601	R480	820 ohms, 1/2 watt	113821
R216	22 ohms	119220	R336	2,200 ohms	120222	R481	10,000 ohms	119103
R217	1,000 ohms	119102	R401	10% 10 watt	116151	R482	15,000 ohms	119153
R218	2,200 ohms	119222	R402	150 ohms, 5% 1 watt	116151	R483	1,000,000 ohms	119105
R219	1,000 ohms	119102	R403	20,000 ohms	119203	R484	4,700 ohms	119472
R220	39 ohms	119390	R404	150,000 ohms	119154	R485	820 ohms, 1/2 watt	113821
R221	39 ohms	119390	R405	100,000 ohms	119104	R486	15,000 ohms	119153
R222	2,400 ohms	119242	R406	20 ohms	119200	R487	680 ohms	119681
R223	2,400 ohms	119242	R407	20,000 ohms	119200	R488	10,000 ohms	119103
R224	10 ohms AB	109100	R408	20,000 ohms	119203	R489	15,000 ohms	119153
R225	100 ohms	119101	R409	150,000 ohms	119154	R490	1,000,000 ohms	119105
R226	100 ohms	119101	R410	100,000 ohms	119104	R491	1,500 ohms	119152
R227	10 ohms AB	109100	R411	20 ohms	119200	R492	820 ohms, 1/2 watt	113821
R228	1,000 ohms	110102	R412	2,400 ohms	119242	R493	10,000 ohms	119103
	5% 2 watt	110102	R413	15,000 ohms	119153	R494	15,000 ohms	119153
			R414	47,000 ohms	119473	R495	1,000,000 ohms	119105
			R415	10,000 ohms	119103	R496	1,500 ohms	119152
			R416	470,000 ohms	119474	R497	820 ohms, 1/2 watt	113821
			R417	24,000 ohms	119243	R498	15,000 ohms	119153
			R418	820 ohms, 1/2 watt	113821	R499	240 ohms	119241
			R419	47,000 ohms	119473			

		PART #	PART #		PART #		
R500	10,000 ohms	119103	C213	200 mfd 15v	283207	D302	silicon diode
R501	15,000 ohms	119153	C214	200 mfd 15v	283207		1A 200 prv 1N4003 544012
R502	10,000,000 ohms	119106	C215	.001 mfd 100v 10%		D304	zener diode
R503	1,500 ohms	119152		disc	240102		13v 1w 5% 540113
R504	820 ohms, 1/2 watt	113821	C217	.001 mfd 100v 10%		D305	zener diode
R505	10,000 ohms	119103		disc	240102		13v 1w 5% 540113
R506	15,000 ohms	119153	C218	1000 mmfd 100v 5%	255102	D401	silicon diode
R507	10,000,000 ohms	119106	C219	.022 mfd 100v 10%	264223		1A 200 prv 1N4003 544012
R508	1,500 ohms	119152	C220	.022 mfd 100v 10%	264223	D402	silicon diode
R509	820 ohms, 1/2 watt	113821	C221	1000 mmfd 100v 5%	255102		1A 200 prv 1N4003 544012
BR301	AC line breaker 15A	342702	C222	1000 mmfd 100v 5%	255102	D403	zener diode
BR302	thermal sensor 85°C 15A	342001	C223	1000 mmfd 100v 5%	255102		12v 1w 5% 540012
			C301	.1 mfd 100v 20%		D404	zener diode
BR303	thermal sensor			disc	224104		15v 1w 5% 540115
BR304	85°C 15A 1	342001	C302	500 mfd 15v	283507	D405	zener diode
BR304	AC line breaker 7A	342703	C303	500 mfd 15v	283507		15v 1w 5% 540115
BR305	thermostat 55°C 15A	342007	C304	10,000 mfd 80v	284109	D406	light emitting
			C305	.1 mfd 100v 20%		thru	diode, red 546220
C101	4.7 mfd 15v 20%			disc	224104	D421	
	tantalum	282505				DB301	silicon diode bridge
C102	.01mfd 100v20%		C306	10,000 mfd 80v	284109		25A
	disc	234103	C307	.1 mfd 100v 20%		F301	fuse 5A 3AG 342025
C103	.01 mfd 100v 20%			disc	224104	F302	fuse 10A 8AG 342012
	disc	234103	C308	.1 mfd 100v 20%		F303	fuse 10A 8AG 342012
C104	12 mmfd disc	244120		disc		IC101	IC NE5558 587458
C105	10 mfd 15v	281106	C309	.01 mfd 500v disc	228103	IC102	IC LM301AH 537709
C106	.0082 mfd 100v 5%		C401	500 mfd 25v	280507	IC103	IC LM301AH 587709
	mylar	264822	C402	20 mfd 15v	281205	IC401	
C107	.0082 mfd 100v 5%		C404	.15 mfd 100v 5%	265154	thru	IC LM339 580339
	mylar	264822	C406	.15 mfd 100v 5%	265154	IC404	
C108	.47 mfd 100v 10%		D101	silicon diode		L301	choke assembly 453001
	mylar	260474		1N4148	543148	P101	470 ohms trimpot 140471
C109	.47 mfd 100v 10%		D102	silicon diode		P201	1,000 ohms trimpot 190103
	mylar	260474		1N4148	543148	P202	1,000 ohms trimpot 190103
C110	35 mfd 30v		D103	dual silicon diode		P301	100,000 ohms
	non-polarized	283366		BZ102	546361		1/2 watt linear 142104
C111	5 mfd 15v	283505	D104	silicon diode		PL301	neon lamp 521021
C112	5 mfd 15v	283505		1N4148	543148	PL302	neon lamp 521021
C113	500 mfd 3v	281507	D105	silicon diode		PL303	#53 lamp 526053
C114	50 mfd 10v	281506		1N4148	543148	Q101	transistor EN3962 562962
C115	50 mfd 10v	281506	D106	silicon diode		Q102	transistor SE4010 572010
C116	.01 mfd 100v 20%			1N4148	543148	Q104	thyristor 2N5061 574061
	disc	234103	D107	silicon diode		Q105	transistor FT4356 562356
C117	.01 mfd 100v 20%			1N4148	543148	Q106	transistor 2N4889 562889
	disc	234103	D108	silicon diode		Q201	transistor 2N4889 562889
C118	.47 mfd 100v5%	260474		1N4148	543148	Q202	transistor 2N4889 562889
C119	.47 mfd 100v 5%	260474	D109	silicon diode		Q203	transistor 2N4889 562889
C120	.47 mfd 100v 5%	260474		1N4148	543148	Q204	transistor 2N3440 572440
C121	.01 mfd 100v 20%		DUO	silicon diode		Q205	transistor 2N3440 572440
	Disc	234103		1N4148	543148	Q206	transistor 2N3440 572440
C122	.01 mfd 100v 20%		D111	silicon diode		Q207	transistor 2N5415 562415
	Disc	234103		1N4148	543148	Q208	transistor BC308B 567070
C123	.01 mfd 100v 20%		D112	silicon diode		Q209	transistor SE6020A 577021
	disc	234103		1A 200 prv 1N4003	544012	Q210	transistor SE6020A 577021
C124	.01 mfd 100v 20%		D113	silicon diode		Q211	transistor BC308B 567070
	disc	234103		1N4148	543148	Q212	transistor TIP41C 577041
C125	200 mfd 3v	281207	D114	silicon diode		Q213	transistor TIP41C 577041
C126	470 mfd 12v	283507		1N4148	543148	Q214	transistor TIP42C 567042
C201	11 mfd 15v Kemet		D201	silicon diode		Q215	transistor TIP42C 567042
	Tantalum	281115		1N4148	543148	Q301	
C202	.1 mfd 100v 20%		D202	silicon diode		thru	transistor 2N5630 571104
	disc	224104		1N4148	543148	Q304	
C203	.1 mfd 100v 20%		D203	silicon diode		Q305	
	disc	224104		1N4148	543148	thru	transistor 2N6030 561356
C204	.1 mfd 100v 20%		D204	silicon diode		Q308	
	disc	224104		1N4148	543148	Q401	
C205	180 mmfd 100v 10%	224181	D205	zener diode		thru	transistor 577020
C206	.47 mfd 100v 5%	260474		14v .4w 5%	540014	Q420	MPS A-20
C207	1000 mfd 10v	281112	D206	silicon diode		RY301	relay DPST
C208	47 mmfd 500v 10%	224470		1N4148	543148		15A 48v coil 539248
C209	.1 mfd 100v 20%		D207	silicon diode		S101	switch 8PDT dual 338000
	disc	224104		1N4148	543148	S301	switch DPTT
C210	.001 mfd 100v 10%		D208	silicon diode			rotary 15A 333241
	disc	240102		1N4148	543148	S302	switch DP5T rotary 333025
C211	82 mmfd 100v 10%		D209	silicon diode		S303	switch 2P4T rotary 333020
	disc	224820		1N4148	543148	S304	switch 4PDT single 331105
C212	.001 mfd 100v 10%		D301	silicon diode		T301	power transformer 464026
	disc	240102		1A 200 prv 1N4003	544012	T302	power transformer, international model 464030