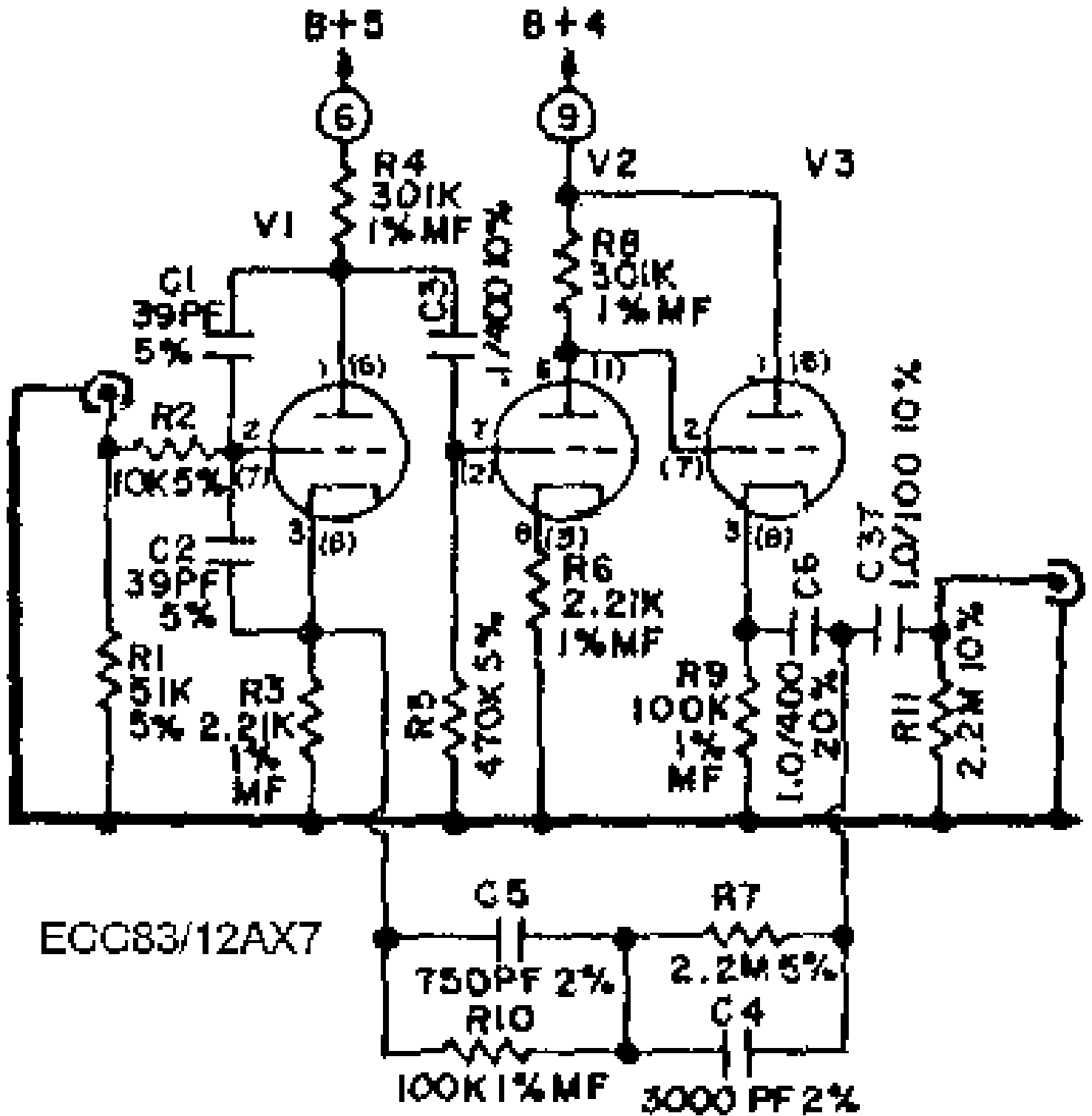


+400V

+40V



ECC83/12AX7