

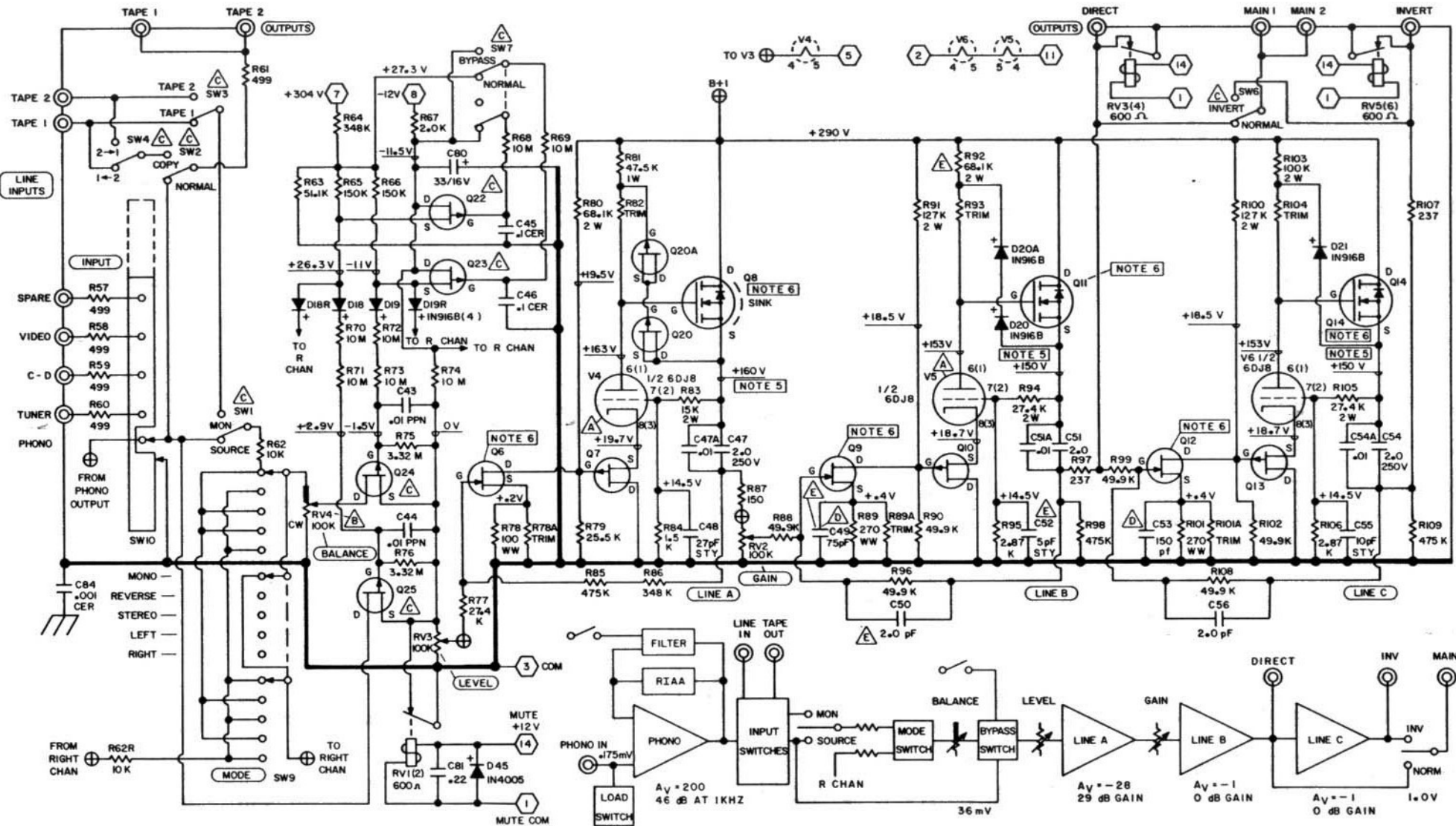
- REVISIONS:
- A NOV. 1985 (SEE PAGE 2,3)
 - B JAN. 1986 (SEE PAGE 2)
 - C MAR. 1986 C2 WAS P/N 53240301, C1 WAS PARALLEL COMBINATION OF OLDER PARTS, SW1-8 IMPROVED WITH SEALED TERMINALS, WAS P/N 24100400.
 - D MAY 1986 C9 WAS 150pf STYRENE, ADDED C85-C92, R47 WAS 10 Ω , ADDED GROUND STRAP BETWEEN SPII AND SPIIS.
 - E JAN 1986 (SEE PAGE 2)

- NOTES:
1. CAUTION-HIGH VOLTAGE, CONTACT COULD BE LETHAL.
 2. ALL CAP IN μ F UNLESS NOTED.
 3. \odot DENOTES CABLE CONNECTOR PIN NUMBER.
 4. LEFT CHANNEL SHOWN, RIGHT CHANNEL IN PARENTHESIS WHERE DIFFERENT.
 5. WHERE NOTED, MEASURE VOLTAGES THRU 1K Ω RESISTOR AT TEST PROBE TIP, TO AVOID HF INSTABILITY.
 6. WHERE NOTED, "TRIM" RESISTORS MUST BE MATCHED TO INDIVIDUAL FETS OR BY FET GRADE. CONSULT FACTORY FOR REPLACEMENT.
 7. RV1- ADJUST FOR 0VDC \pm 1mV ACROSS R31, WITH UNIT 30 MIN WARM, SW5 AT MUTE, SW6 FILTER ON, SW10 AT PHONO, SW11 LOAD AT 3 μ A, SW7 AT BYPASS.

PROPRIETARY NOTICE
 THIS DRAWING CONTAINS PATENTED, PATENT APPLIED FOR, AND/OR OTHER INFORMATION CONSIDERED PROPRIETARY BY AUDIO RESEARCH AND IS FURNISHED ON A CONFIDENTIAL BASIS FOR IDENTIFICATION AND REPAIR PURPOSES ONLY

audio research corporation
 6801 SHINGLE CREEK PARKWAY
 MINNEAPOLIS, MINNESOTA 55430

SPII PREAMP UNIT
 PHONO SECTION
 PAGE 1 OF 2



NOTES:

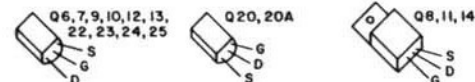
1. CAUTION - HIGH VOLTAGE - CONTACT COULD BE LETHAL.
2. CAP. IN μ F UNLESS NOTED.
3. \square DENOTES CABLE CONNECTOR PIN NUMBERS.
 \oplus DENOTES WIRE CONNECTION TO BOARD.
4. LEFT CHANNEL SHOWN, RIGHT CHANNEL IN PARENTHESIS WHERE DIFFERENT.
5. WHERE NOTED, MEASURE VOLTAGE THRU $1K\Omega$ RESISTOR AT TEST PROBE TIP, TO AVOID HF INSTABILITY.
6. WHERE NOTED, "TRIM" RESISTORS MUST BE MATCHED TO INDIVIDUAL FETS OR BY FET GRADE. CONSULT FACTORY FOR REPLACEMENT.

REVISIONS:

- Δ NOV 1985 V4,5 SELECTED FOR TRANSCONDUCTANCE.
- \square JAN 1986 RV4 OLDER TYPES REPLACED BY P/N 45100529.
- \triangle MAR 1986 SW1-8 IMPROVED WITH SEALED TERMINALS, WAS P/N 24100400. R22,23,24,25 CHANGED, WAS P/N 30006410. (SEE PARTS LIST)
- Δ MAY 1986 C49, 53 WERE 150μ F STYRENE.
- Δ JUN 1986 C49 WAS 150μ F PPN, C50 WAS (2) 4μ F STYRENE IN SERIES OR (2) 4μ F PPN IN SERIES, C52 WAS 10μ F STYRENE, R92 WAS $100K\ 2W$.

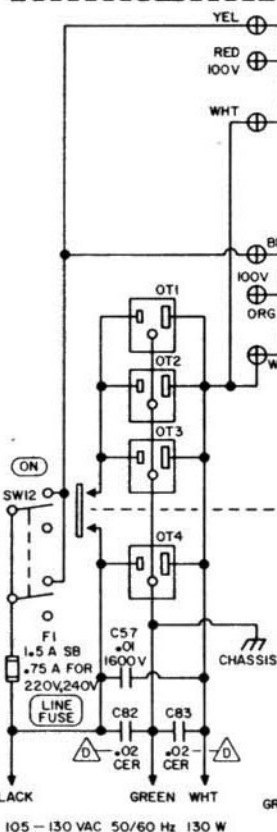
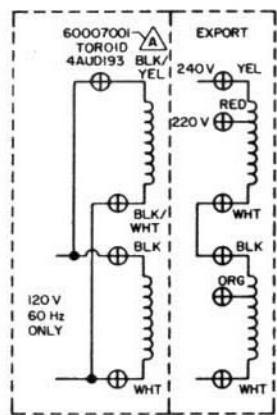
PROPRIETARY NOTICE

THIS DRAWING CONTAINS PATENTED, PATENT APPLIED FOR, AND/OR OTHER INFORMATION CONSIDERED PROPRIETARY BY AUDIO RESEARCH AND IS FURNISHED ON A CONFIDENTIAL BASIS FOR IDENTIFICATION AND REPAIR PURPOSES ONLY.

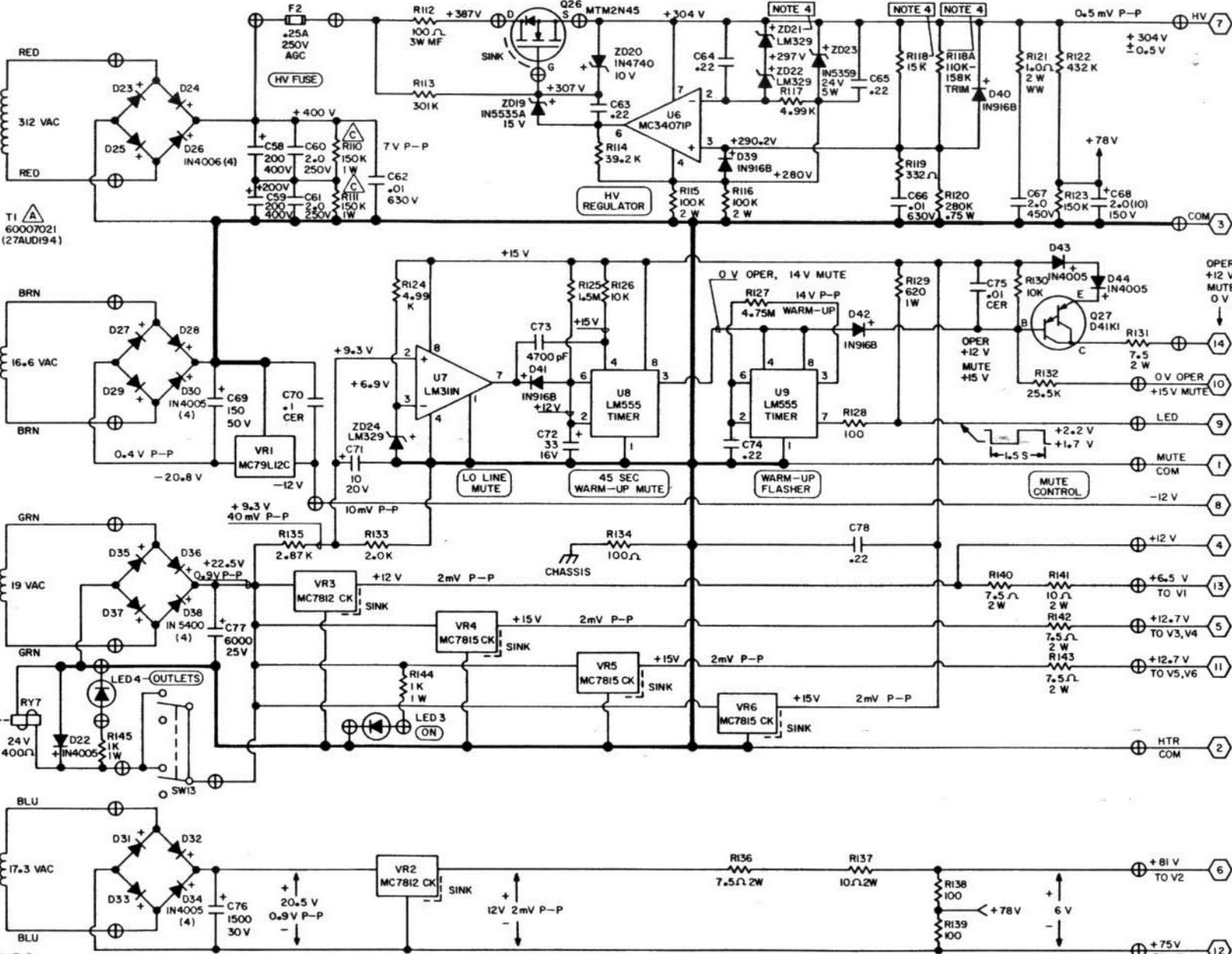


SP11 PREAMP UNIT LINE SECTION PAGE 2 OF 3

audio research corporation



105-130 VAC 50/60 Hz 130 W



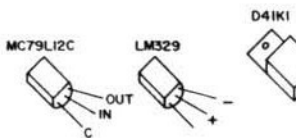
NOTES:

1. CAUTION - HIGH VOLTAGE. CONTACT WITH STORED ENERGY EVEN WITH POWER OFF COULD BE LETHAL.
2. VOLTAGES ARE AT 120 VAC 60Hz, PREAMP CONNECTED. CAPACITORS IN μ F UNLESS NOTED.
3. \odot DENOTES CABLE CONNECTOR PIN NUMBER.
 \oplus DENOTES WIRE CONNECTION TO BOARD.
4. R118, R118A MAY VARY, SELECTED FOR 304V \pm 0.5V AT \odot 7 TO MATCH ZD21, 22 USED.

REVISIONS:

- Δ NOV '85 TOROID T1 WAS PN60007001 60 Hz ONLY.
- \square JAN '86 (SEE PAGE 2)
- \triangle MAR '86 R110, R111 WERE PN461505X 2W RES.
- \diamond MAY '86 ADDED C82, C83
- ∇ JAN '86 (SEE PAGE 2)

PROPRIETARY NOTICE
THIS DRAWING CONTAINS PATENTED, PATENT APPLIED FOR, AND/OR OTHER INFORMATION CONSIDERED PROPRIETARY BY AUDIO RESEARCH AND IS FURNISHED ON A CONFIDENTIAL BASIS FOR IDENTIFICATION AND REPAIR PURPOSE ONLY.



SPIIPS POWER SUPPLY UNIT

PAGE 3 OF 3
6-23-86

audio research corporation
6801 SHINGLE CREEK PARKWAY
MINNEAPOLIS, MINNESOTA 55430