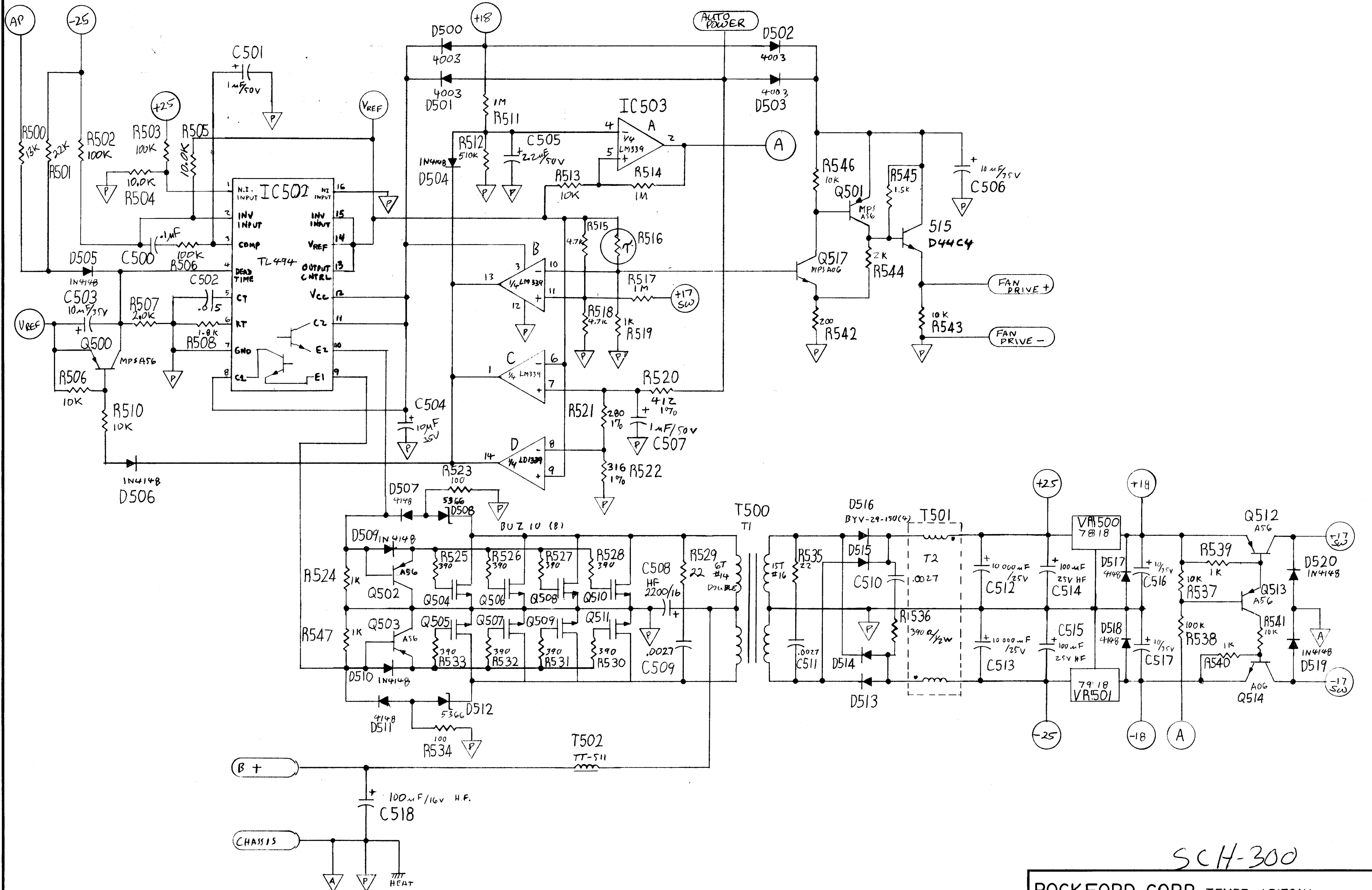


FINAL PRINT
 Date 10/24/86
 Approval [Signature]

- LEFT FRONT NEGATIVE (BLUE)
- RIGHT FRONT POSITIVE (GREEN)
- LEFT REAR POSITIVE (ORANGE)
- RIGHT REAR NEGATIVE (BROWN)

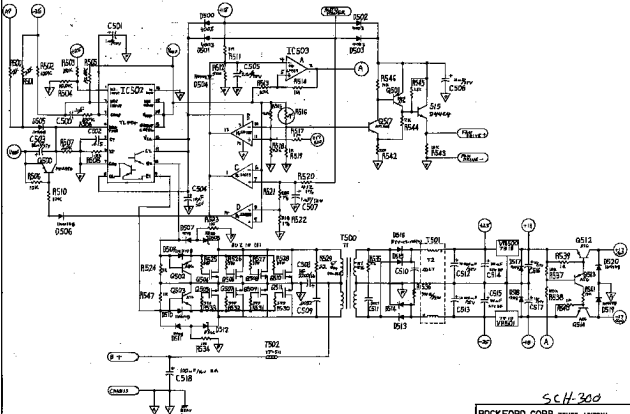
| | |
|-------------------------------|----------------------|
| ROCKFORD CORP. TEMPE, ARIZONA | |
| SCALE: _____ | DRAWN BY JRF |
| DATE: 3/7/86 | REVISED J.P.R. |
| POWER 300 AMPLIFIER SECTION | |
| REV. C | DRAWING NUMBER _____ |



SCH-300

| | | |
|-------------------------------|--|----------------|
| ROCKFORD CORP, TEMPE, ARIZONA | | |
| SCALE: — | | DRAWN BY JRF |
| DATE: 3/7/86 | | REVISED |
| POWER 300 POWER SUPPLY | | |
| REV. C | | DRAWING NUMBER |

FINAL PRINT
 Date 10/29/90
 Approval *[Signature]*



SCH-300

| | |
|-------------------------------|---------------|
| ROCKFORD CORP, TEMPE, ARIZONA | |
| DATE: 5/27/86 | DESIGNER: JRF |
| POWER 300 POWER SUPPLY | |
| REV C | |

FINAL PRINT
 Date: 10/2/87
 Approved: [Signature]