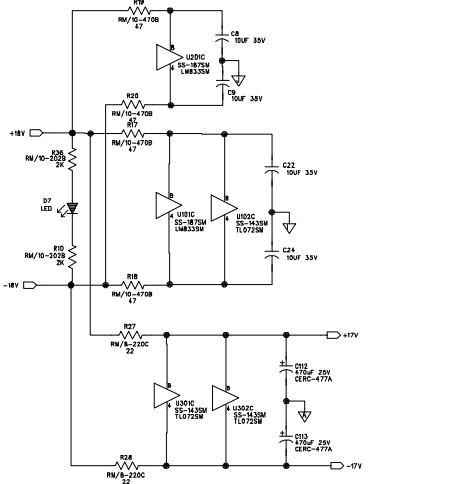


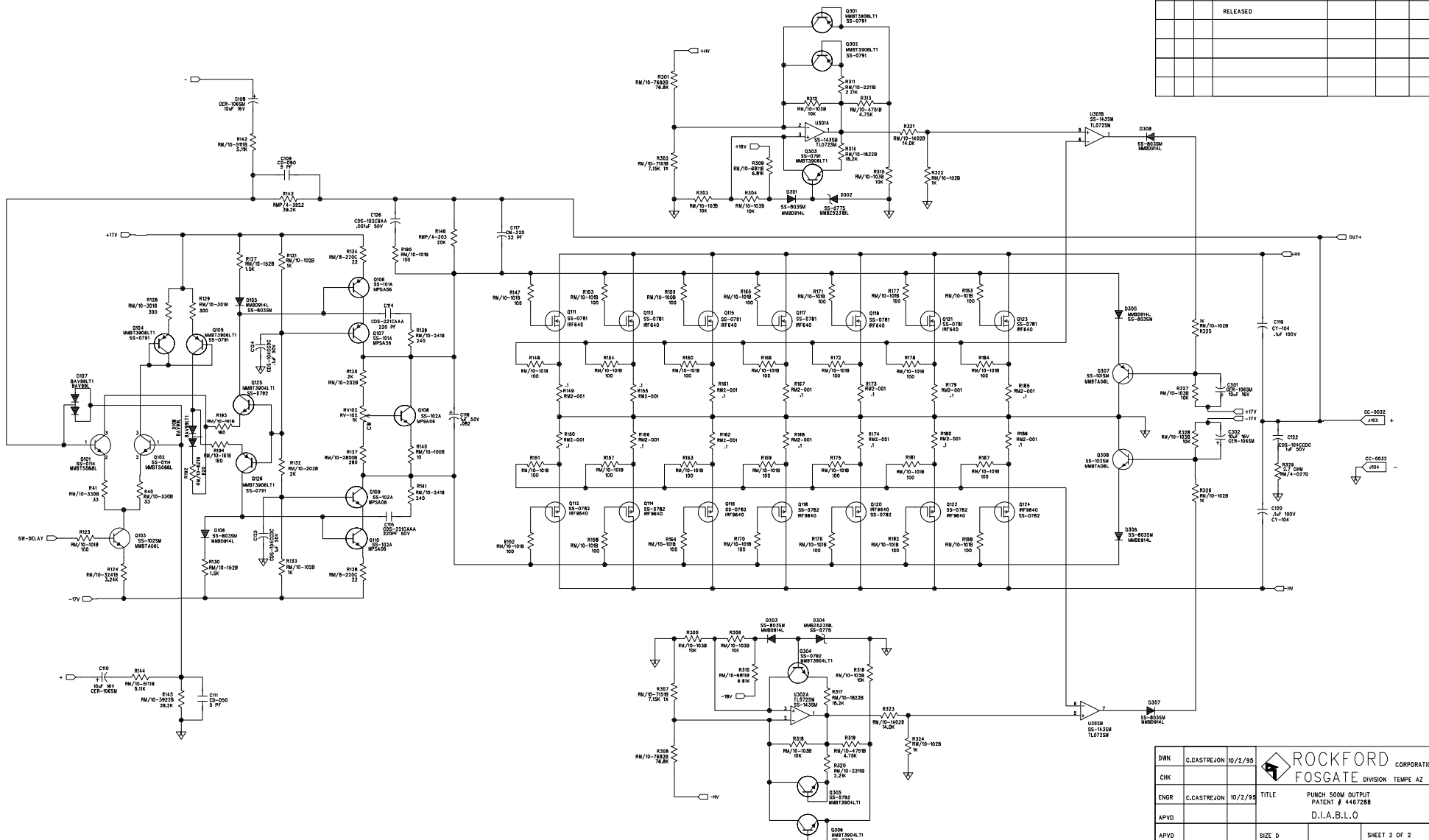
Z	SYM	DA	REVISION RECORD	AUTHORITY	DRAW	CHECK
			RELEASED			



DWN	C.CASTREJON	10/2/95	 <b>ROCKFORD CORPORATION</b> <b>FOSGATE</b> DIVISION TEMPE AZ
CHK			
ENGR	C.CASTREJON	10/2/95	TITLE PUNCH 500W INPUT, CROSSOVER & POWER SUPPLY PATENT # 4487288
APVD			D.I.A.B.L.O.
APVD		SIZE D	SHEET 1 OF 2
MATL/FS	PC-0776-G	PART NO.	REV
		PC-0776-G	G

FILE NAME: PC-0776-G REV: 1

Z	SYM	DA	REVISION RECORD	AUTHORITY	DRAW	CHECK
			RELEASED			



FILE NAME PC-0776-G

DWN	G.CASTREJON	10/2/95	<b>ROCKFORD FOSGATE</b> CORPORATION DIVISION TEMPE AZ
CHK			
ENGR	G.CASTREJON	10/2/95	TITLE PUNCH 500W OUTPUT PATENT # 4467268
APVD			D.I.A.B.L.O
APVD			SIZE D SHEET 2 OF 2
MATL/F/S	FILE NAME	PART NO.	REV
	PC-0776-G	PC-0776-G	G