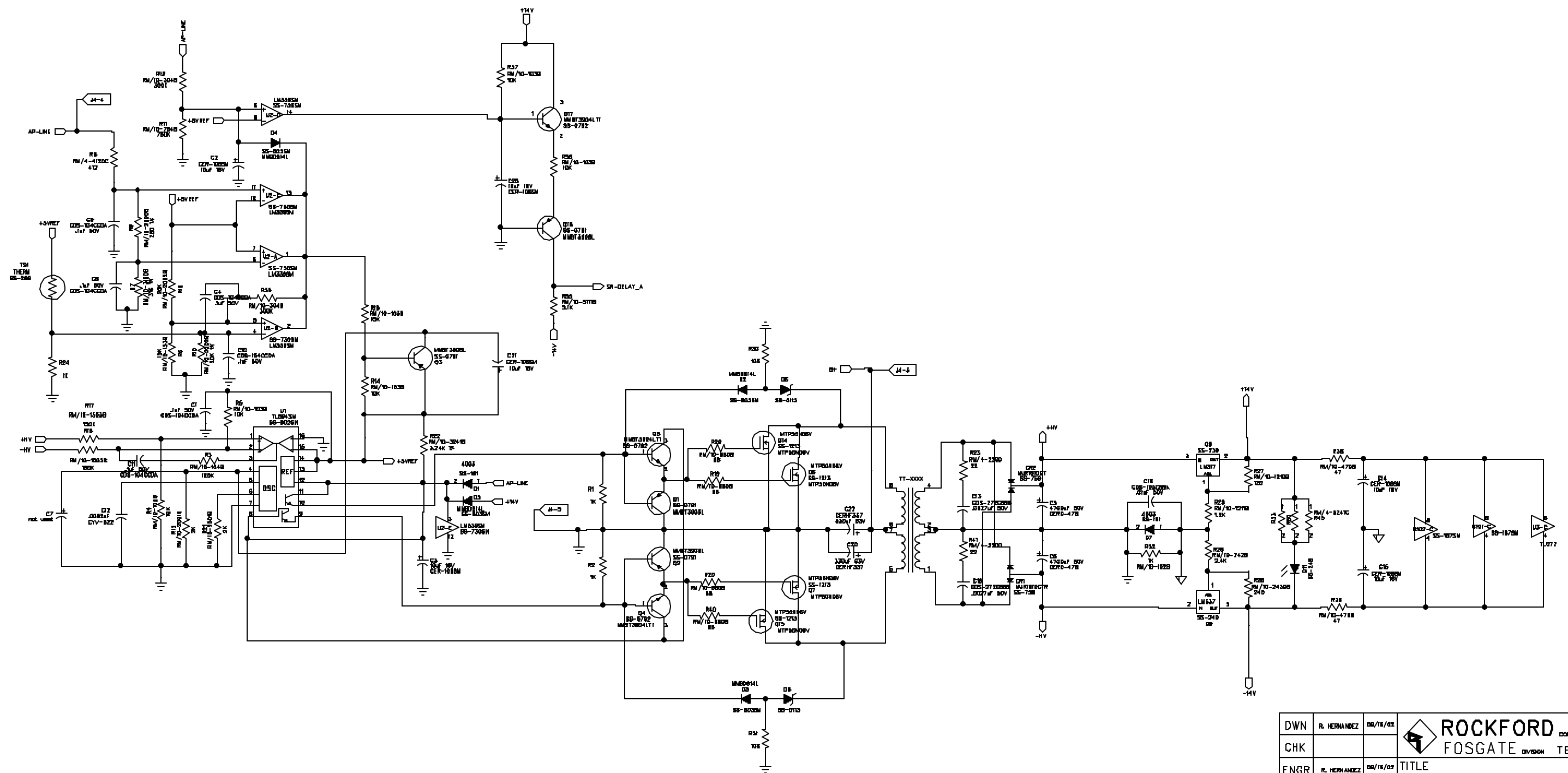


- NOTES: UNLESS SPECIFIED OTHERWISE
 1. ALL RESISTORS IN OHMS
 2. ALL CAPACITORS IN MICROFARADS
 3. COMMON PARTS DESIGNATORS 1 TO 99
 4. LEFT CHANNEL DESIGNATORS 101 TO 199
 5. RIGHT CHANNEL DESIGNATORS 201 TO 299

Z	SYM	DA	REVISION RECORD	AUTHORITY	DATE	CHK
			RELEASED			



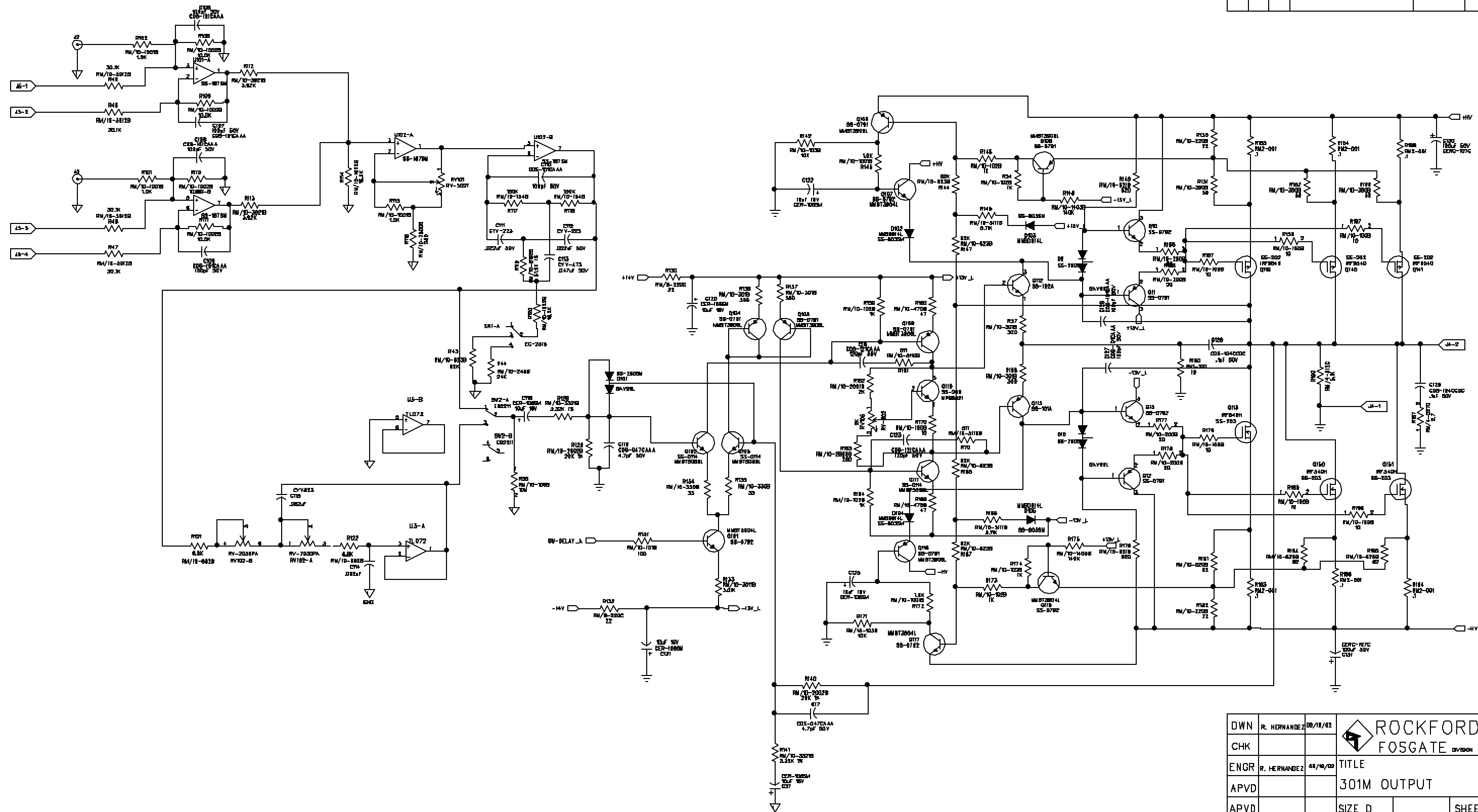
DWN	R. HERNANDEZ	06/16/03	ROCKFORD CORPORATION FOSGATE DIVISION TEMPE AZ
CHK			
ENGR	R. HERNANDEZ	06/16/03	TITLE
APVD			301M POWER SUPPLY
APVD			SIZE
MATL/FS			SCALE
			SHEET 1 OF 3
			FILE NAME
			PART NO.
			PC-4309
			REV C

I
H
G
F
E
D
C
B
A

REV A
FILE NAME
PART NO.

- NOTES: UNLESS SPECIFIED OTHERWISE
 1. ALL RESISTORS IN OHMS
 2. ALL CAPACITORS IN MICROFARADS
 3. COMMON PARTS DESIGNATORS 1 TO 99
 4. LEFT CHANNEL DESIGNATORS 101 TO 199
 5. RIGHT CHANNEL DESIGNATORS 201 TO 299

Z	SYN	DA	REVISION RECORD	AUTHORITY	DRAW	CHECK
			RELEASED			



DWN	R. HERNANDEZ	08/18/02	ROCKFORD FOSGATE CORPORATION DIVISION TEMPE AZ
CHK			
ENGR	R. HERNANDEZ	01/16/03	TITLE
APVD			301M OUTPUT
APVD			SIZE D
MATL/FS			SHEET 2 OF 3
	FILE NAME	PART NO.	REV
		PC-4309	C

FILE NAME