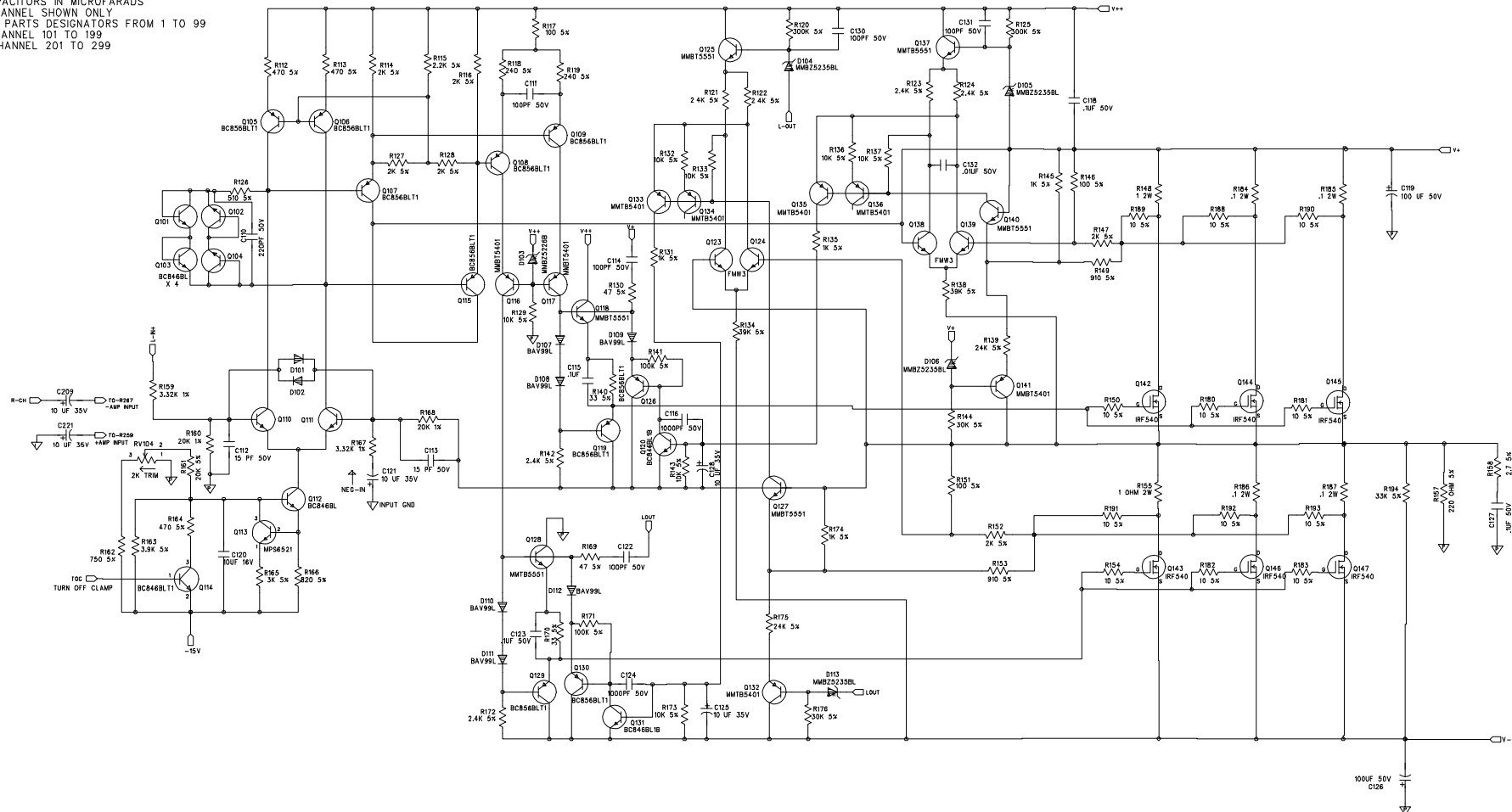


NOTES: UNLESS SPECIFIED OTHERWISE

1. ALL RESISTORS IN OHMS
2. ALL CAPACITORS IN MICROFARADS
3. LEFT CHANNEL SHOWN ONLY
4. COMMON PARTS DESIGNATORS FROM 1 TO 199
5. LEFT CHANNEL 101 TO 199
6. RIGHT CHANNEL 201 TO 299



Z	SYM	CHANGE	BY	DA	CORRECTIONS		DWN		CHK		ENGR		APVD		APVFS	
					C.C.	11/93	C.C.	11/93	C.C.	11/93	C.C.	11/93	C.C.	11/93	C.C.	11/93

ROCKFORD CORPORATION
FOSGATE DIVISION TEMPE AZ

TITLE
PUNCH 200K OUTPUT SCH

SIZE D SCALE NONE SHEET 1 OF 2

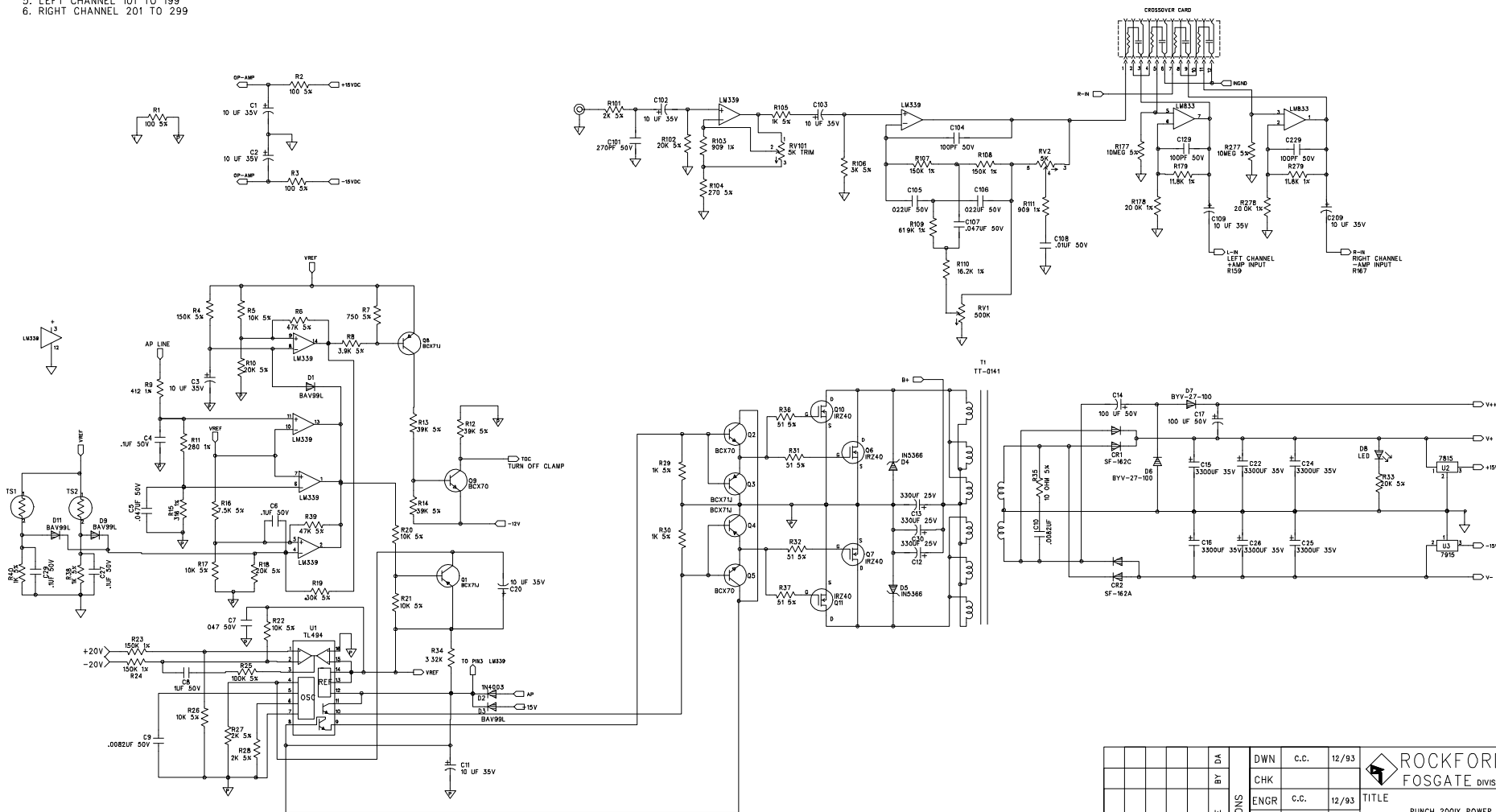
FILE NAME PART NO. REV
PC-0696-A

REV PC-0696-A

PART NO. A

NOTES: UNLESS SPECIFIED OTHERWISE

1. ALL RESISTORS IN OHMS
2. ALL CAPACITORS IN MICROFARADS
3. LEFT CHANNEL SHOWN ONLY
4. COMMON PARTS DESIGNATORS FROM 1 TO 99
5. LEFT CHANNEL 101 TO 199
6. RIGHT CHANNEL 201 TO 299



CORRECTIONS		DWN	C.C.	12/93	 ROCKFORD CORPORATION FOSGATE DIVISION TEMPE AZ				
		CHK	C.C.	12/93					
APVD		TITLE			PUNCH 200IX POWER SUPPLY CROSSOVER AND INPUT CIRCUIT				
APVD		SIZE	D	SCALE		NONE	SHEET	1	OF
Z		MATL/FS	FILE NAME	PC-0696-B	PART NO.	REV	D	PART NO.	