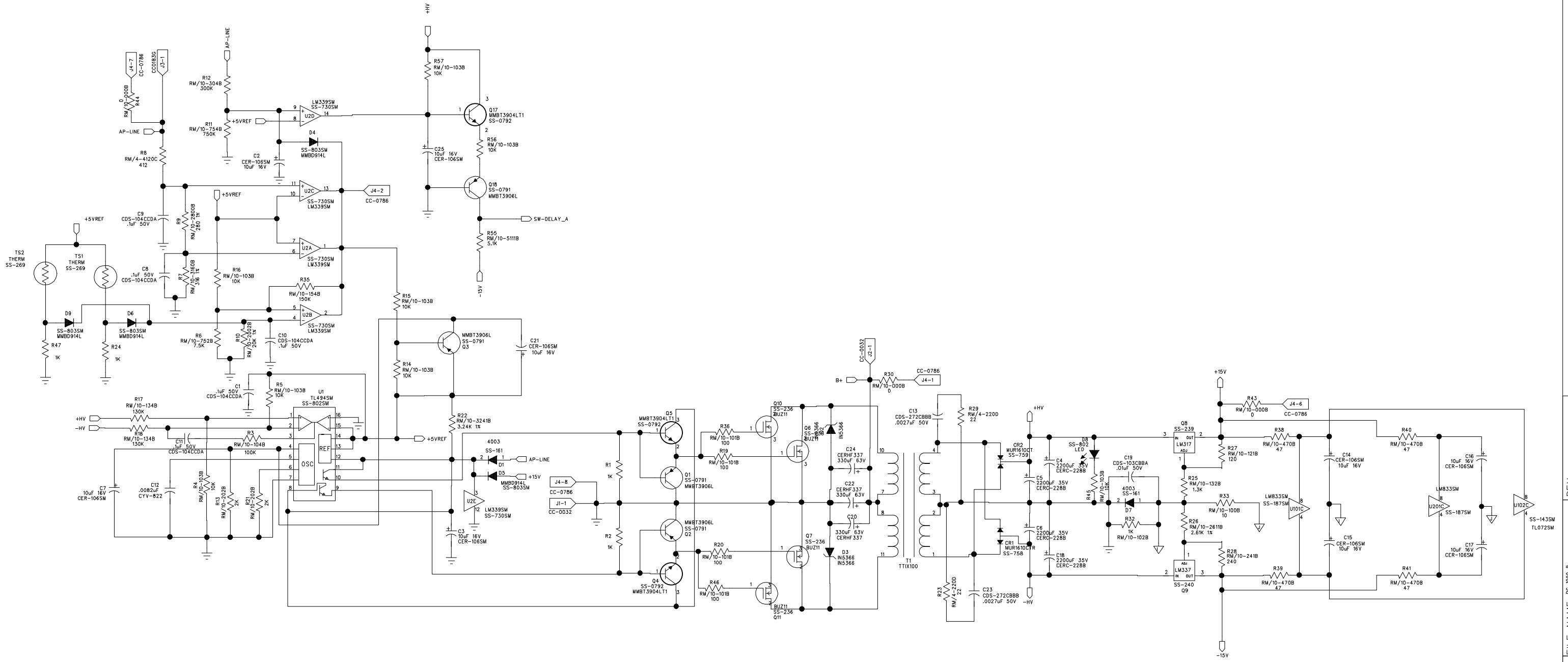


- NOTES: UNLESS SPECIFIED OTHERWISE
 1. ALL RESISTORS IN OHMS
 2. ALL CAPACITORS IN MICROFARADS
 3. COMMON PARTS DESIGNATORS 1 TO 99
 4. LEFT CHANNEL DESIGNATORS 101 TO 199
 5. RIGHT CHANNEL 201 TO 299

Z	SYM	DA	REVISION RECORD	AUTHORITY	DRAW	CHECK
			RELEASED			



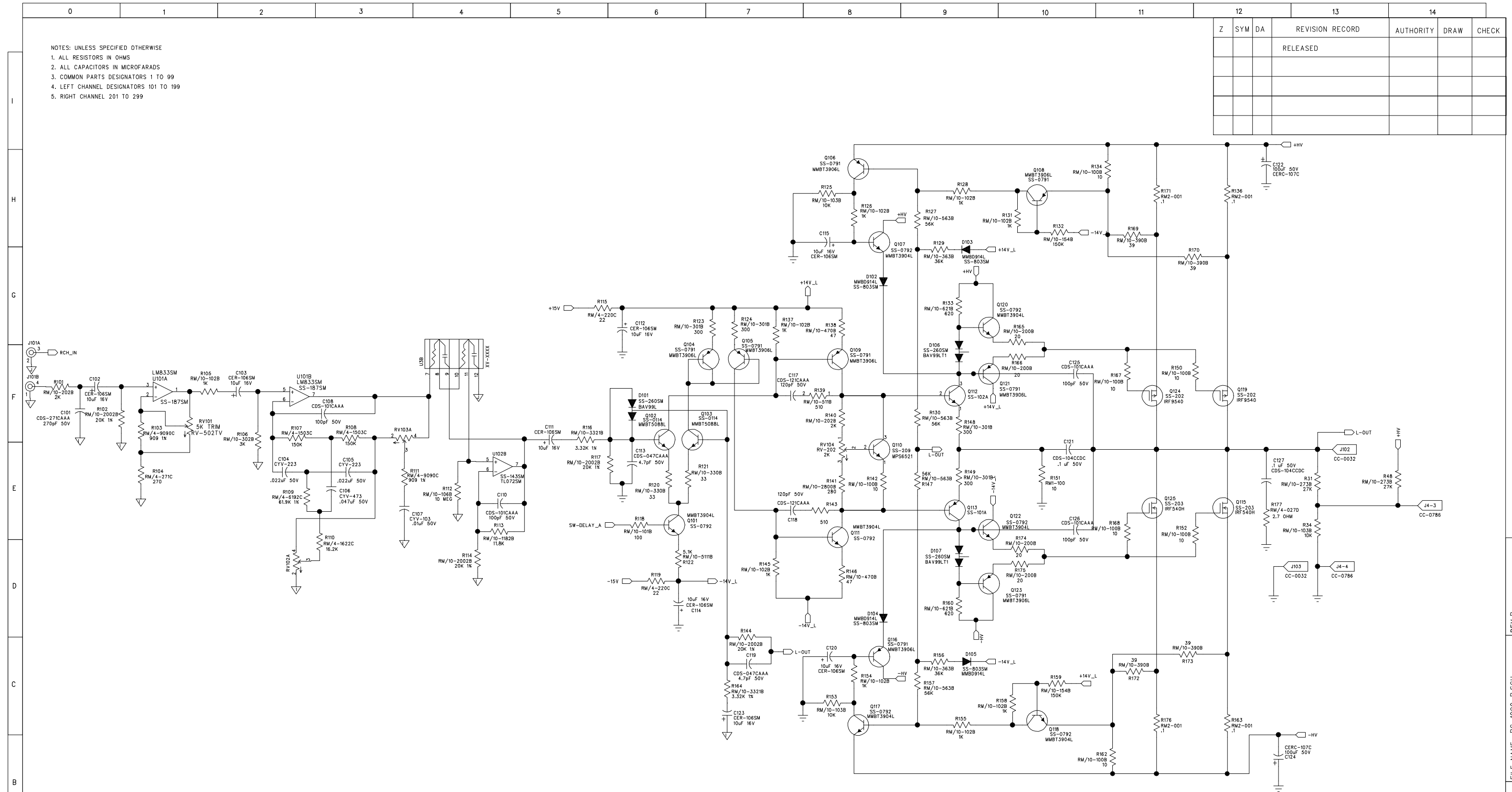
DWN	C.CASTREJON	9/18/95	ROCKFORD FOSGATE CORPORATION DIVISION TEMPE AZ		
CHK					
ENGR	C.CASTREJON	9/18/95	TITLE		
APVD	C.CASTREJON	9/18/95	PUNCH 100X2 POWER SUPPLY		
APVD			SIZE	SCALE	SHEET 1 OF 3
MATL/FS			FILE NAME	PART NO.	REV
			PC-1090-B		B

I
H
G
F
E
D
C
B
A

REV
FILE NAME PC-1090-B
PART NO.

- NOTES: UNLESS SPECIFIED OTHERWISE
 1. ALL RESISTORS IN OHMS
 2. ALL CAPACITORS IN MICROFARADS
 3. COMMON PARTS DESIGNATORS 1 TO 99
 4. LEFT CHANNEL DESIGNATORS 101 TO 199
 5. RIGHT CHANNEL 201 TO 299

Z	SYM	DA	REVISION RECORD	AUTHORITY	DRAW	CHECK
			RELEASED			



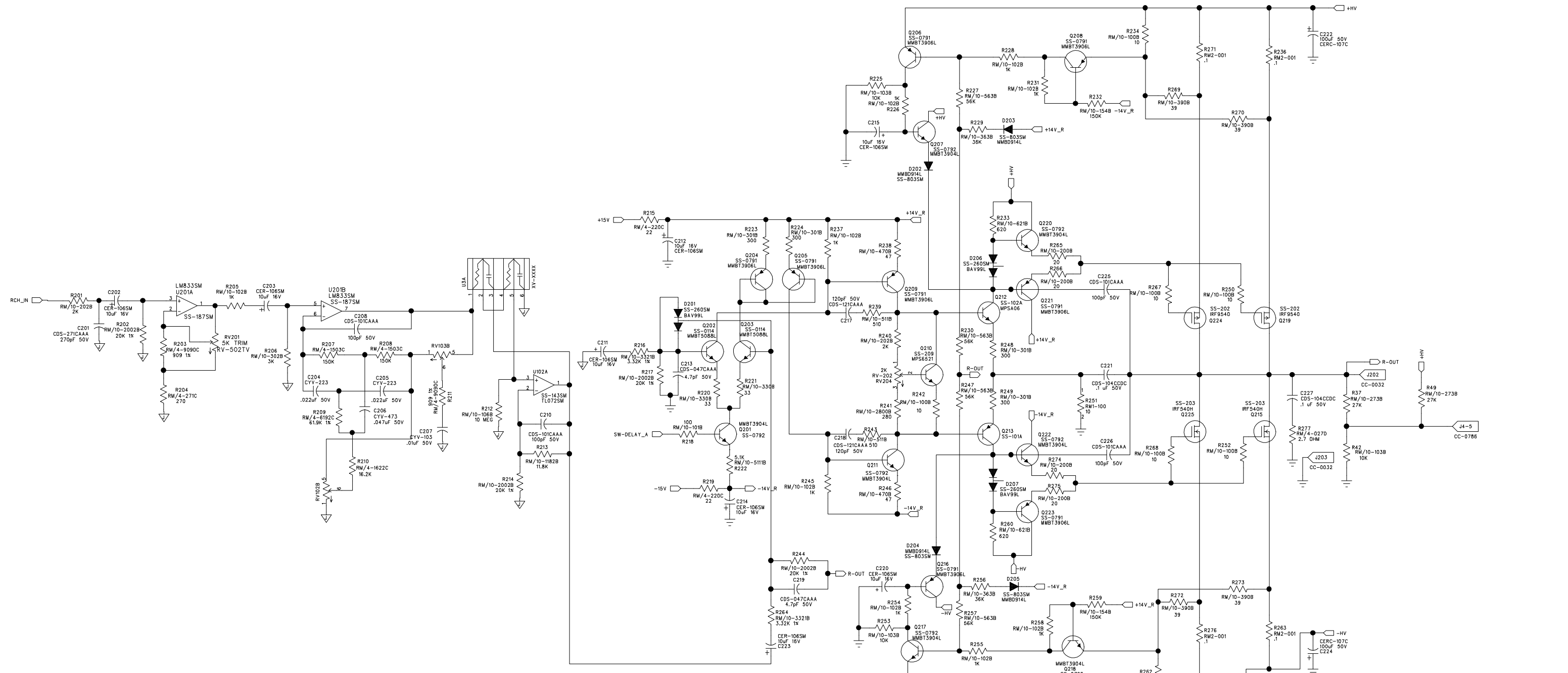
DWN	C.CASTREJON	9/18/95	ROCKFORD FOSGATE CORPORATION DIVISION TEMPE AZ
CHK			
ENGR	C.CASTREJON	9/18/95	TITLE
APVD			P100X2 LEFT CHANNEL
APVD			SIZE D
MATL/FS			SHEET 2 OF 3
	FILE NAME	PART NO.	REV
	PC-1090-B.SCH	PC-0956-B	B

FILE NAME PC-1090-B.SCH REV B PART NO.

- NOTES: UNLESS SPECIFIED OTHERWISE
 1. ALL RESISTORS IN OHMS
 2. ALL CAPACITORS IN MICROFARADS
 3. COMMON PARTS DESIGNATORS 1 TO 99
 4. LEFT CHANNEL DESIGNATORS 101 TO 199
 5. RIGHT CHANNEL 201 TO 299

Z	SYM	DA	REVISION RECORD	AUTHORITY	DRAW	CHECK
			RELEASED			

I
H
G
F
E
D
C
B
A



DWN	C.CASTREJON	9/18/95	ROCKFORD FOSGATE CORPORATION DIVISION TEMPE AZ
CHK			
ENGR	C.CASTREJON	9/18/95	TITLE
APVD	C.CASTREJON	9/18/95	P100X2 RIGHT CHANNEL
APVD			SIZE D
MATL/FS			SHEET 3 OF 3
	FILE NAME	PART NO.	REV
	PC-1090-B		B

FILE NAME PC-1090-B PART NO. REV B