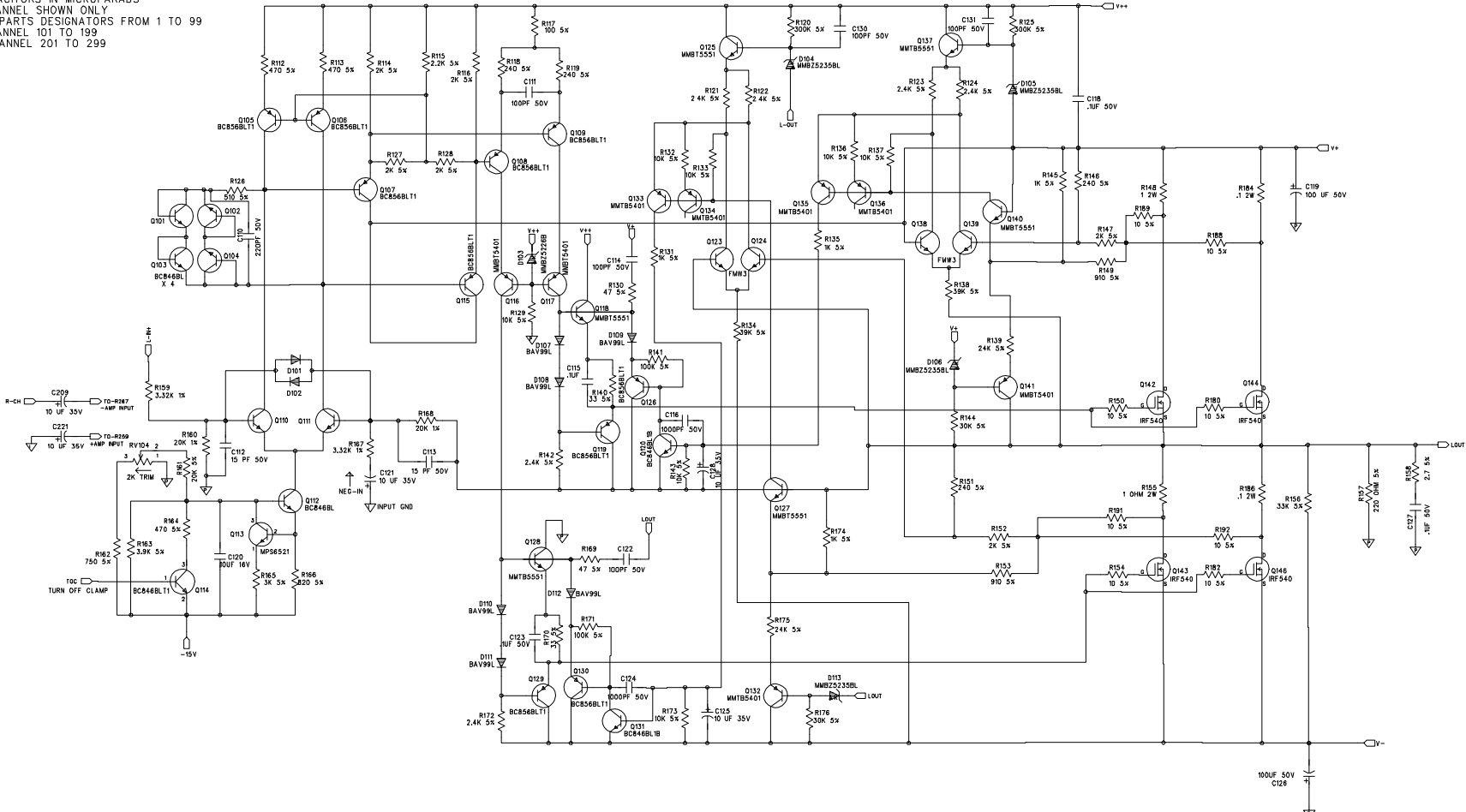
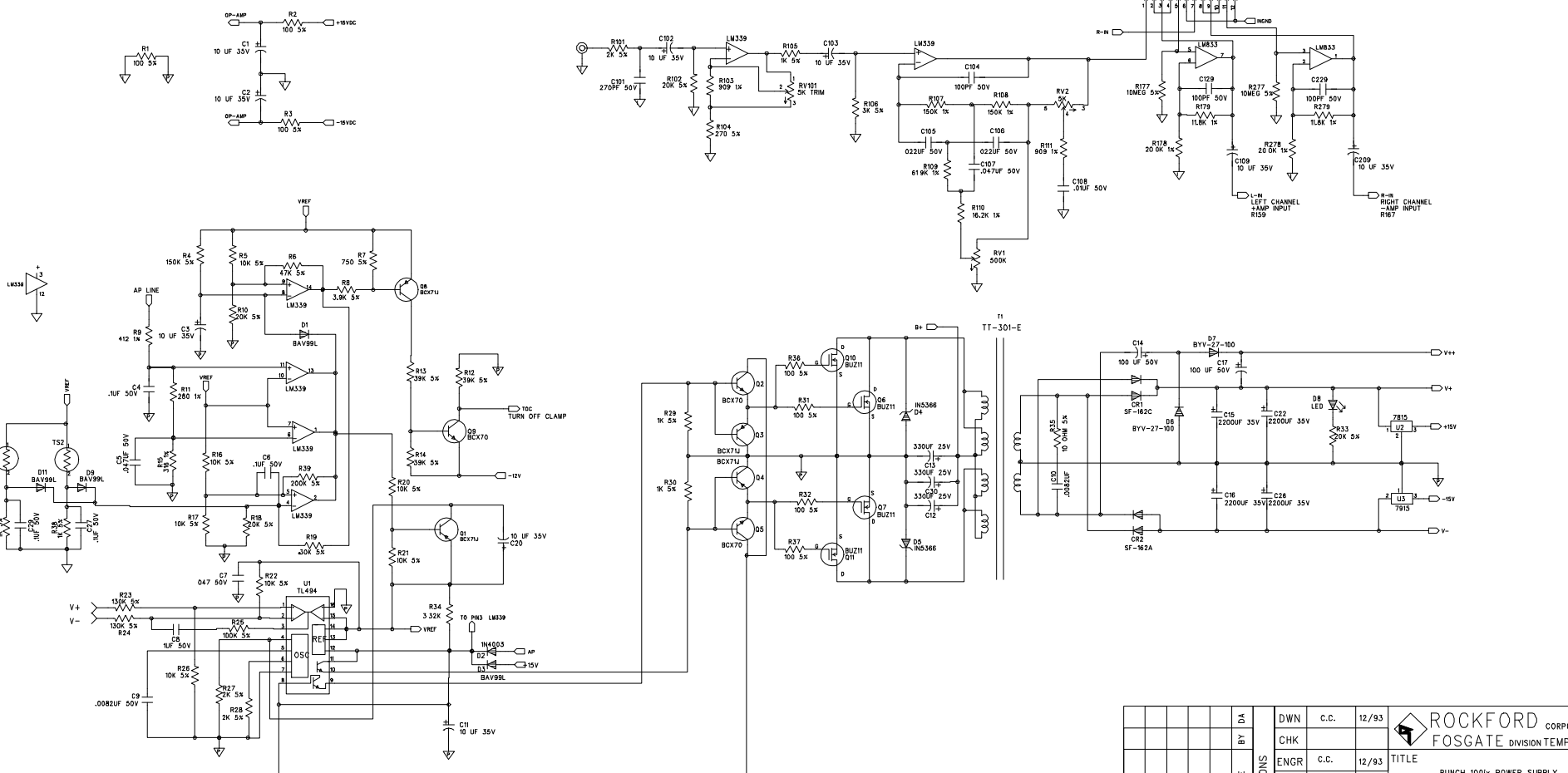


- NOTES: UNLESS SPECIFIED OTHERWISE
 1. ALL RESISTORS IN OHMS
 2. ALL CAPACITORS IN MICROFARADS
 3. LEFT CHANNEL SHOWN ONLY
 4. COMMON PARTS DESIGNATORS FROM 1 TO 99
 5. LEFT CHANNEL 101 TO 199
 6. RIGHT CHANNEL 201 TO 299



REV	DA	DWN	C.C.	12/93	 ROCKFORD CORPORATION FOSGATE DIVISION TEMPE AZ
CHK	BY	ENGR	C.C.	12/93	
APVD	CHANGE	APVD	C.C.	12/93	
MATL/FS	Z SW	APVD	MATL/FS		
FILE NAME		SCALE		SHEET 1 OF 2	
PC-0695-B		NON		PART NO.	
REV		REV		REV	
A		A		A	

- NOTES: UNLESS SPECIFIED OTHERWISE
 1. ALL RESISTORS IN OHMS
 2. ALL CAPACITORS IN MICROFARADS
 3. LEFT CHANNEL SHOWN ONLY
 4. COMMON PARTS DESIGNATORS FROM 1 TO 99
 5. LEFT CHANNEL 101 TO 199
 6. RIGHT CHANNEL 201 TO 299



REV	FILE NAME	PC-0695-B
BY	DA	
CHANGE		
CORRECTIONS		
DWN	C.C.	12/93
CHK		
ENGR	C.C.	12/93
APVD		
MATL/FS		
TITLE		ROCKFORD CORPORATION FOSGATE DIVISION TEMPE AZ
PUNCH 100W POWER SUPPLY CROSSOVER AND INPUT CIRCUIT		
SIZE D	SCALE NON	SHEET 1 OF 1
FILE NAME	PART NO.	REV
PC-0695-B		A