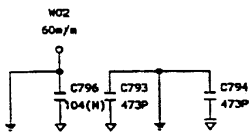
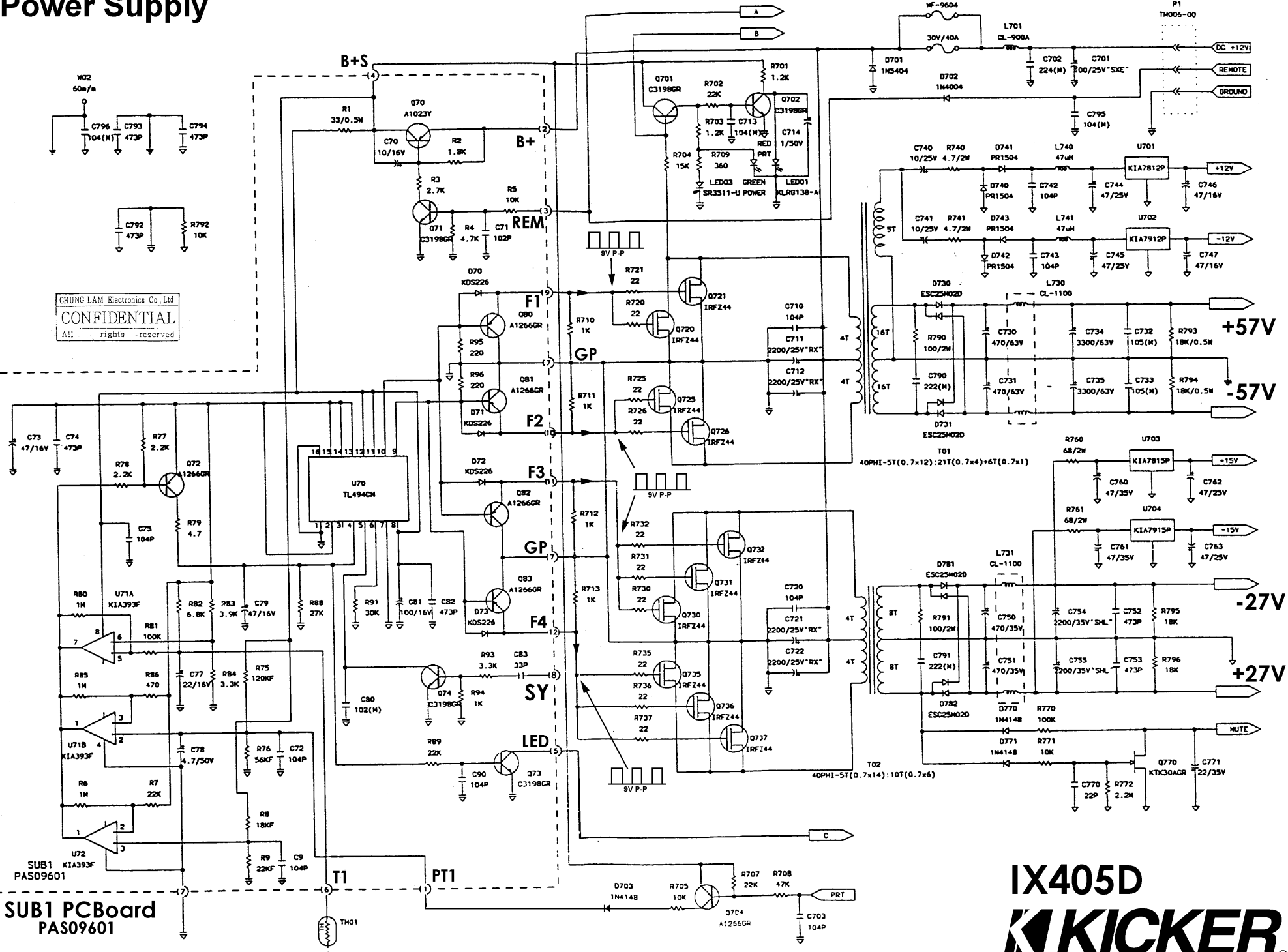


Power Supply



CHUNG LAM Electronics Co., Ltd
CONFIDENTIAL
 All rights reserved



SUB1 PAS09601
SUB1 PCBoard PAS09601

IX405D
KICKER

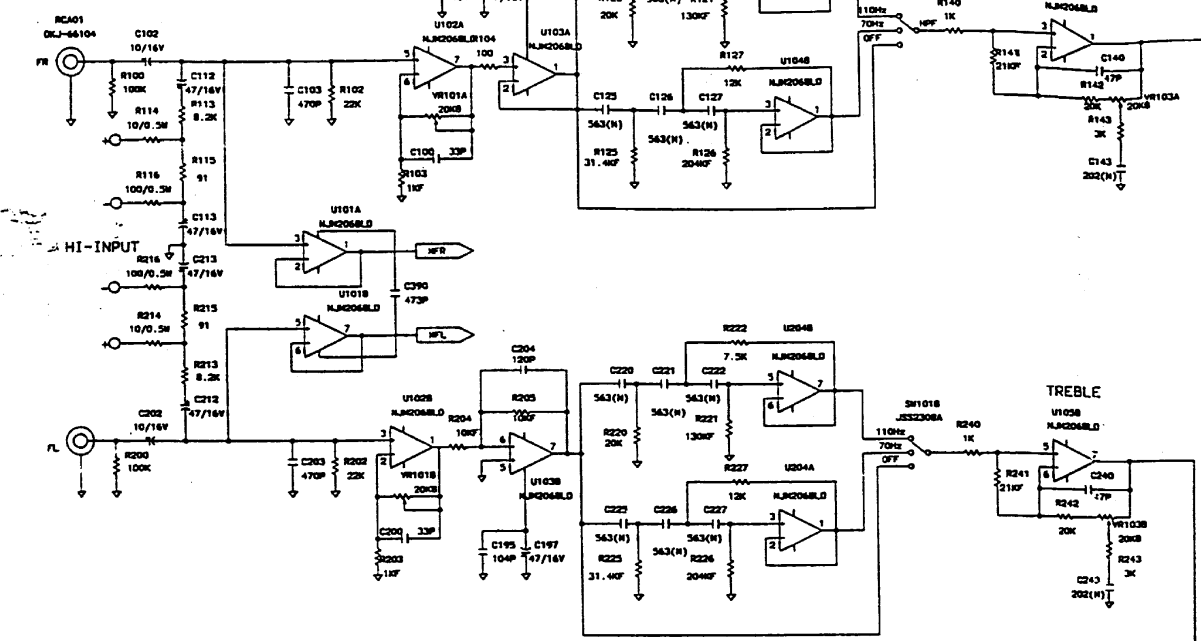
PREAMP



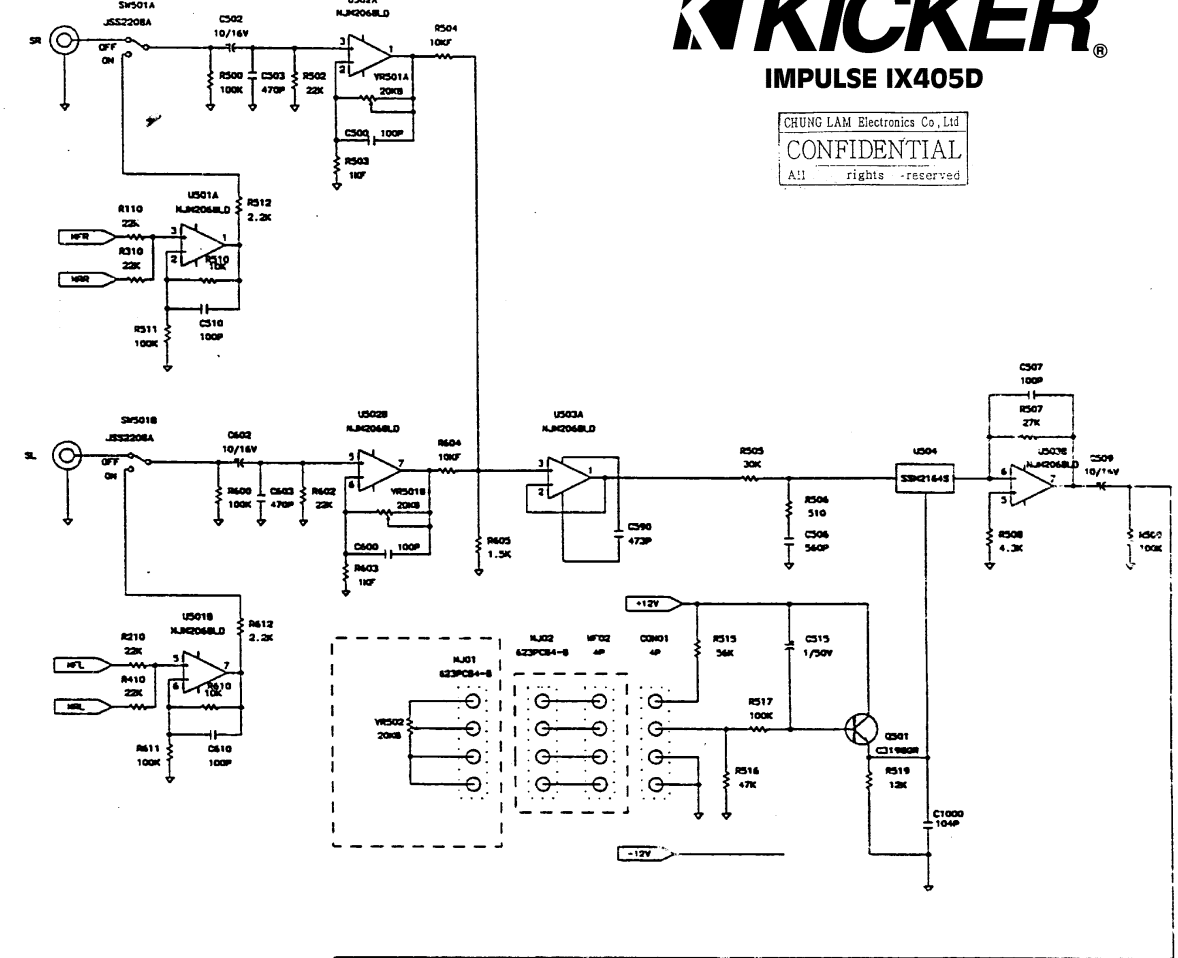
IMPULSE IX405D

CHUNG LAM Electronics Co., Ltd
CONFIDENTIAL
All rights reserved

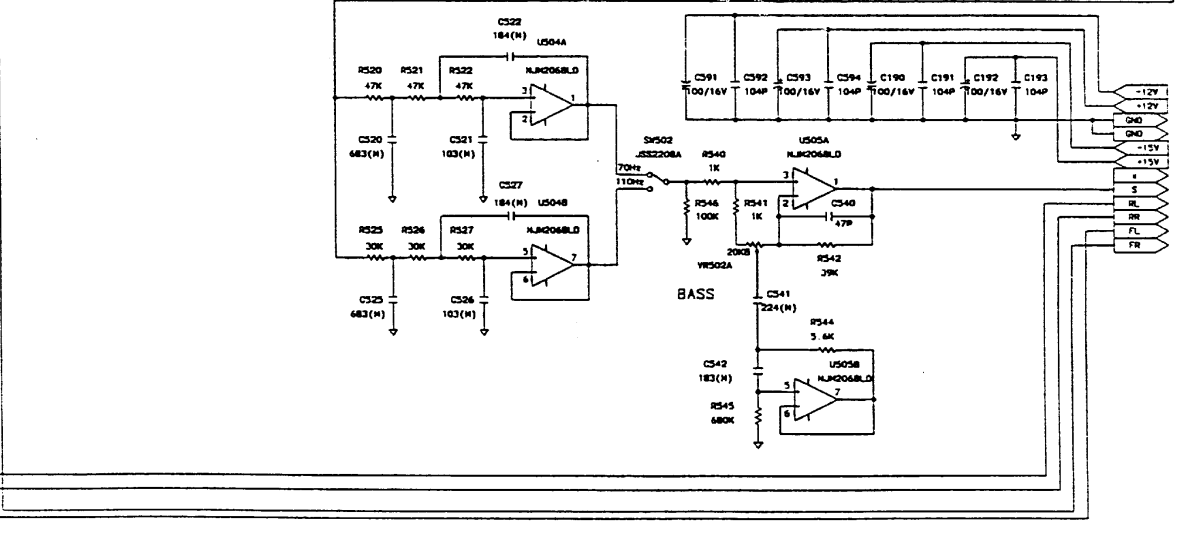
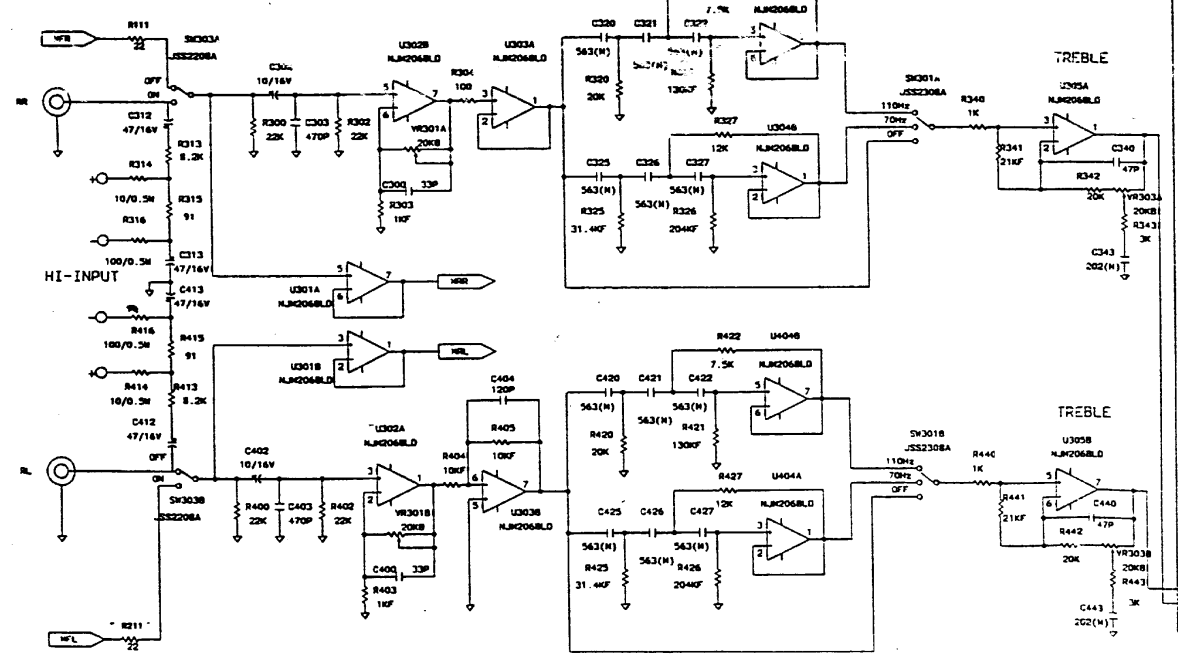
FRONT INPUT



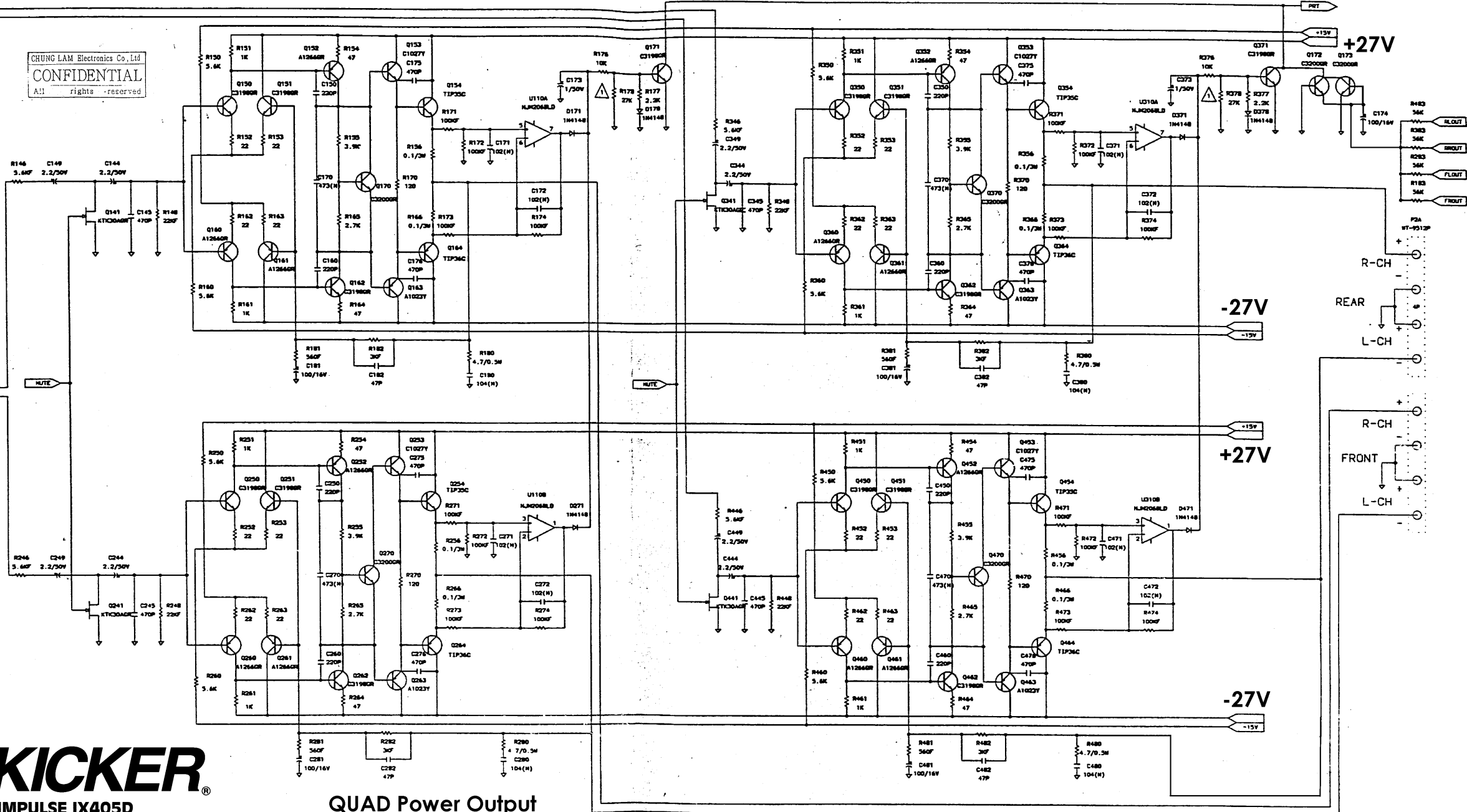
SUB INPUT



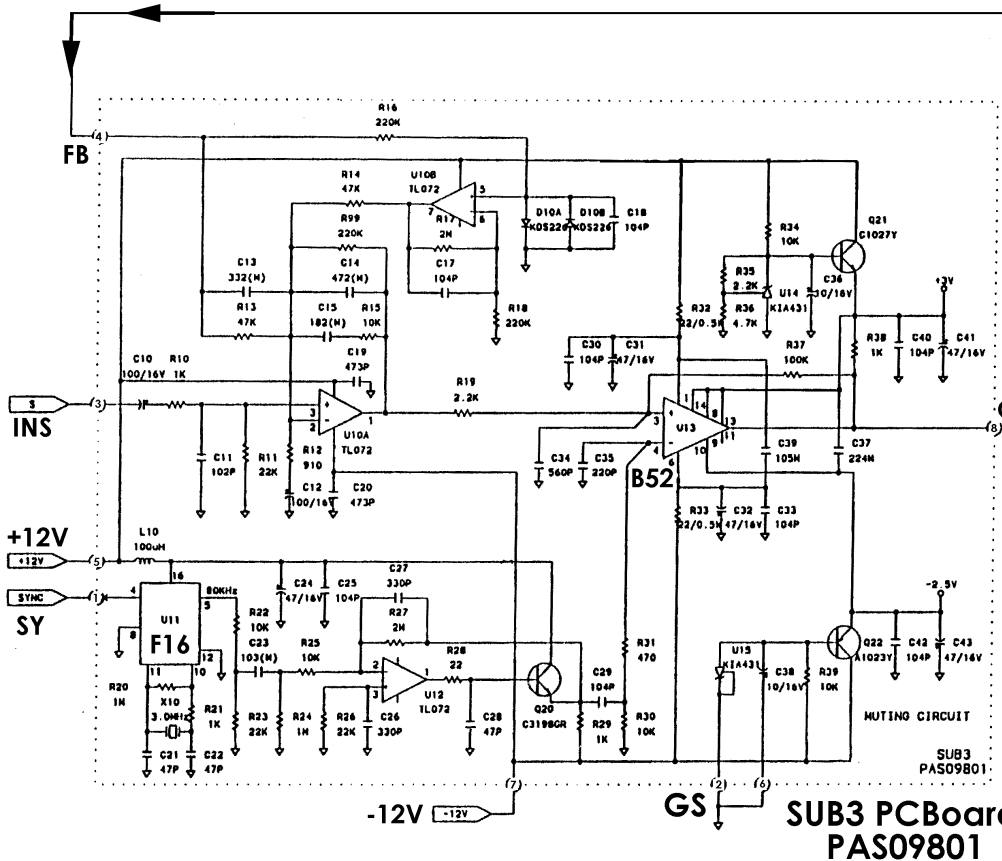
REAR INPUT



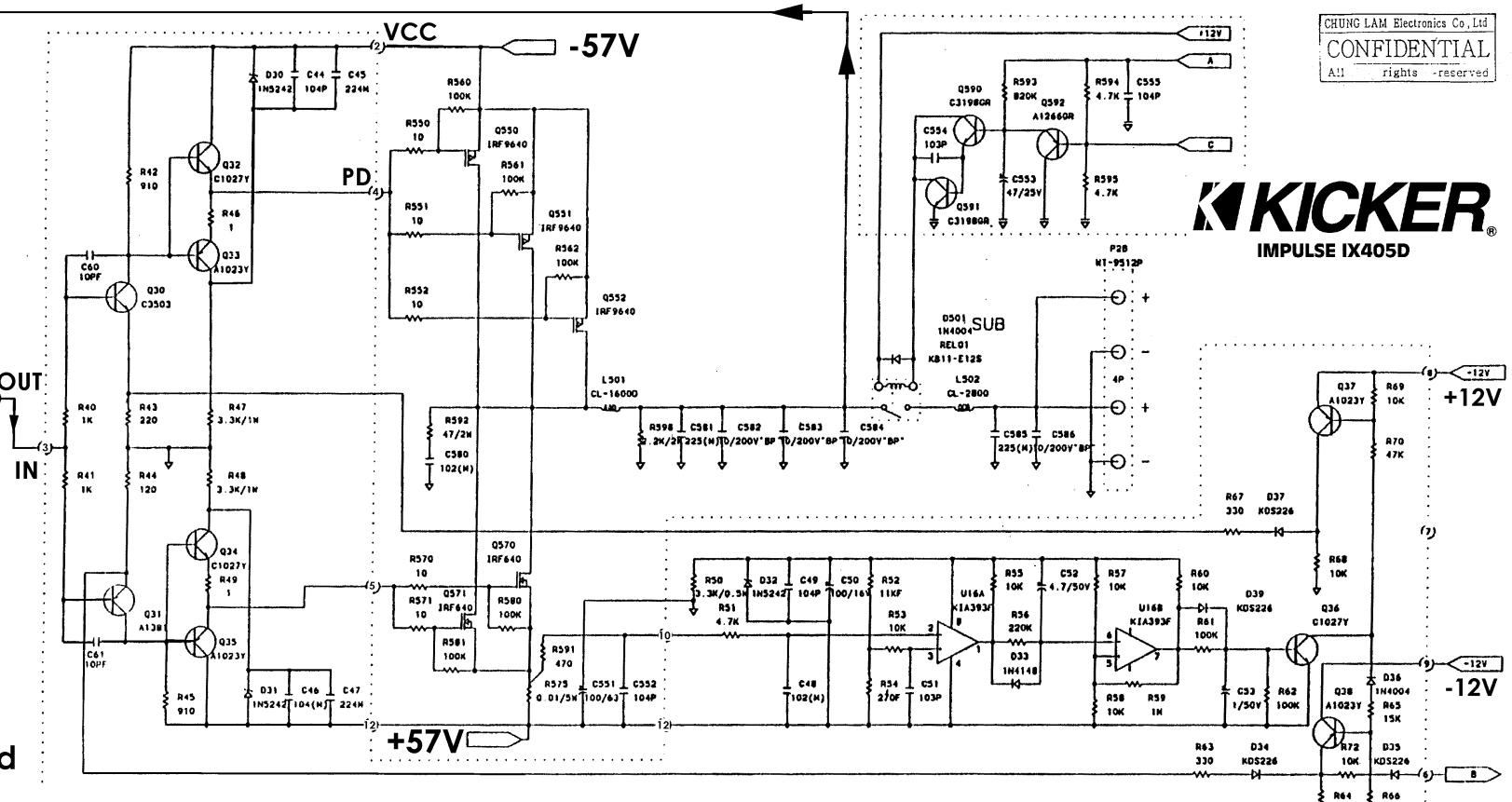
CHUNG LAM Electronics Co., Ltd
CONFIDENTIAL
All rights reserved



QUAD Power Output



Sub Base Amplifier



SUB2 PCBoard PAS09701



-12V

+12V

-57V

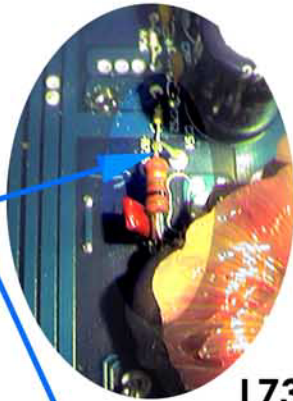
+57V

PAS09701

KICKER IX405D

Signal Ground

For Easy Testing
Join Power and
Signal Ground



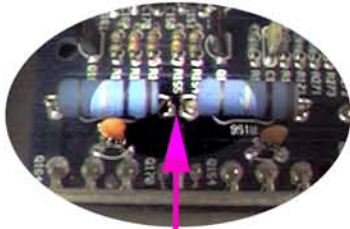
L731

+27V -27V

L730

-57V +57V

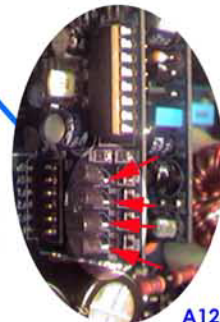
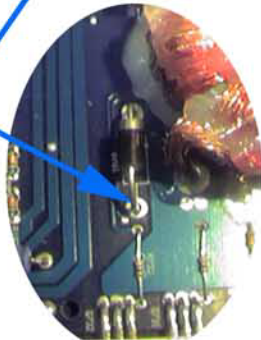
Upper Bars are ALL
Signal Ground



Offset Voltages
Should be 0V or
Very low

Power Ground

For Easy Testing
Join Power and
Signal Ground



A1266GR
Destroyed by shorting FETS

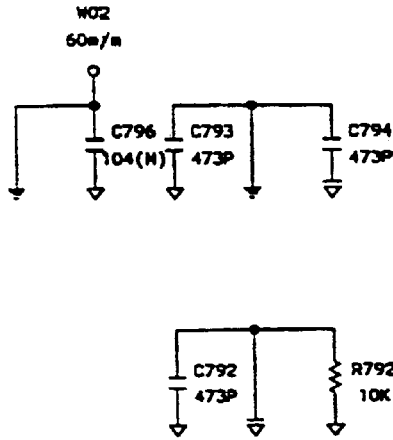
SUB3 PCBoard PAS09801

* NOTE *
SECRET STUFF

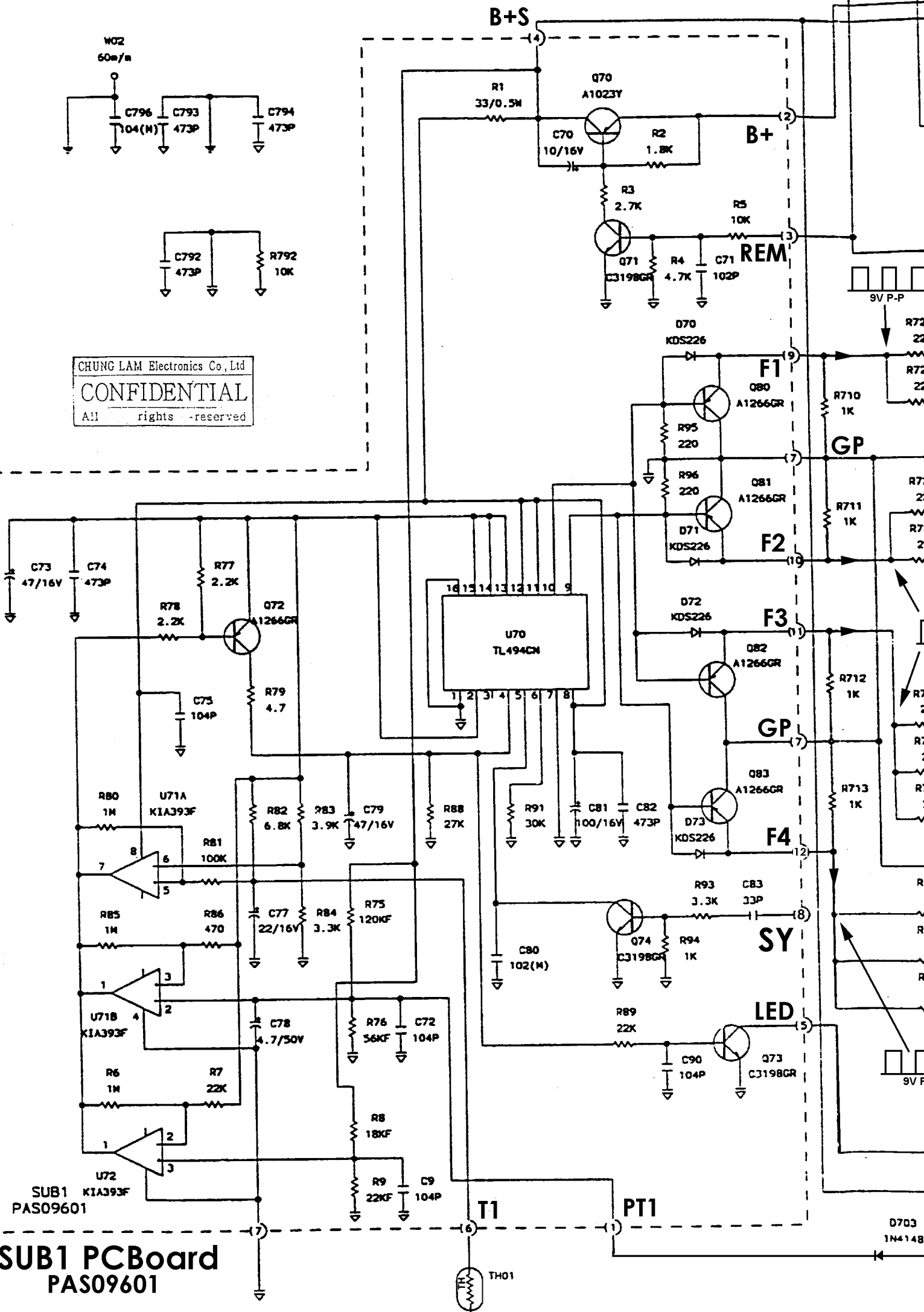
* NOTE *
SECRET STUFF



Power Supply

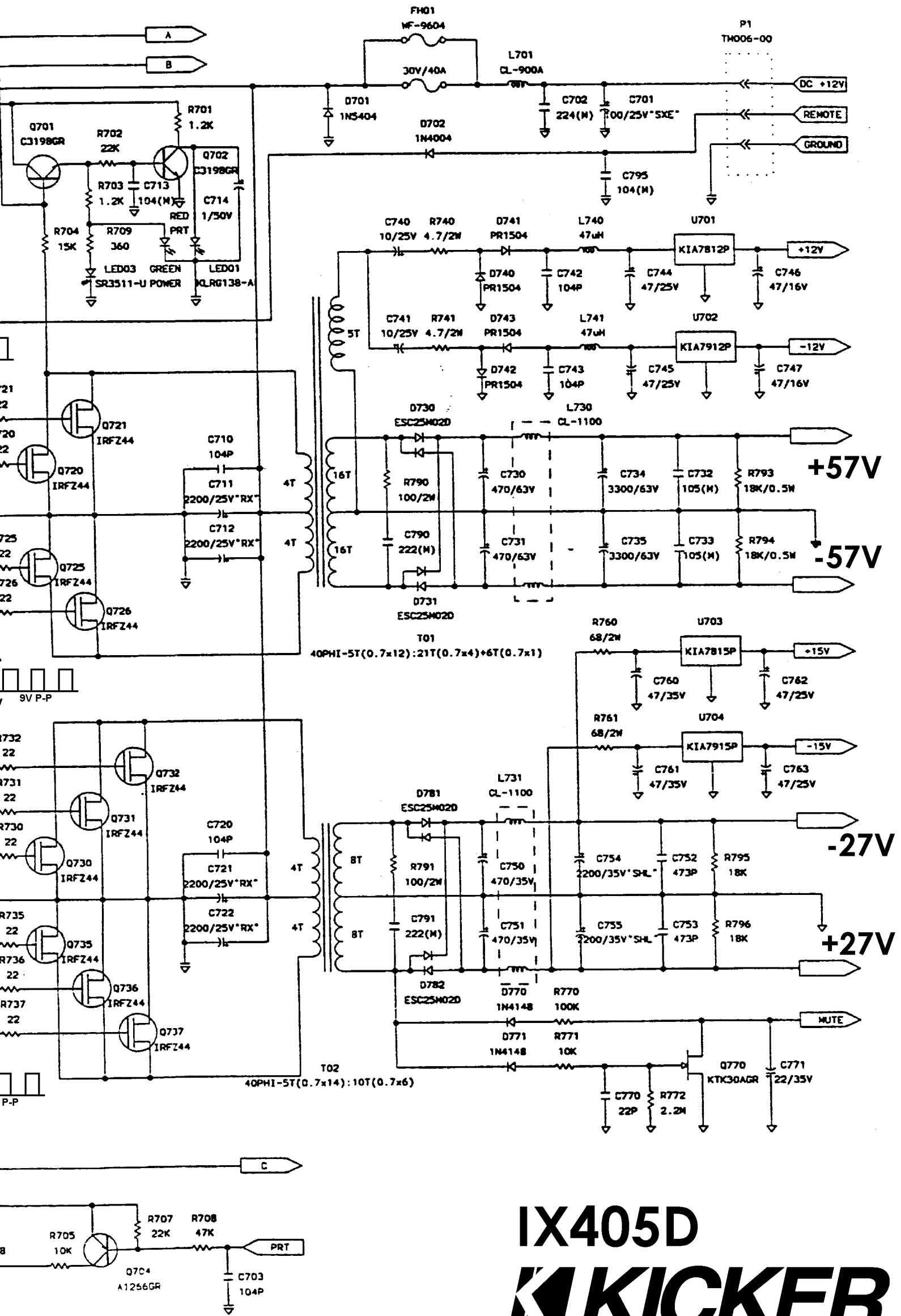


CHUNG LAM Electronics Co, Ltd
CONFIDENTIAL
All rights reserved



SUB1 PCBoard
PAS09601

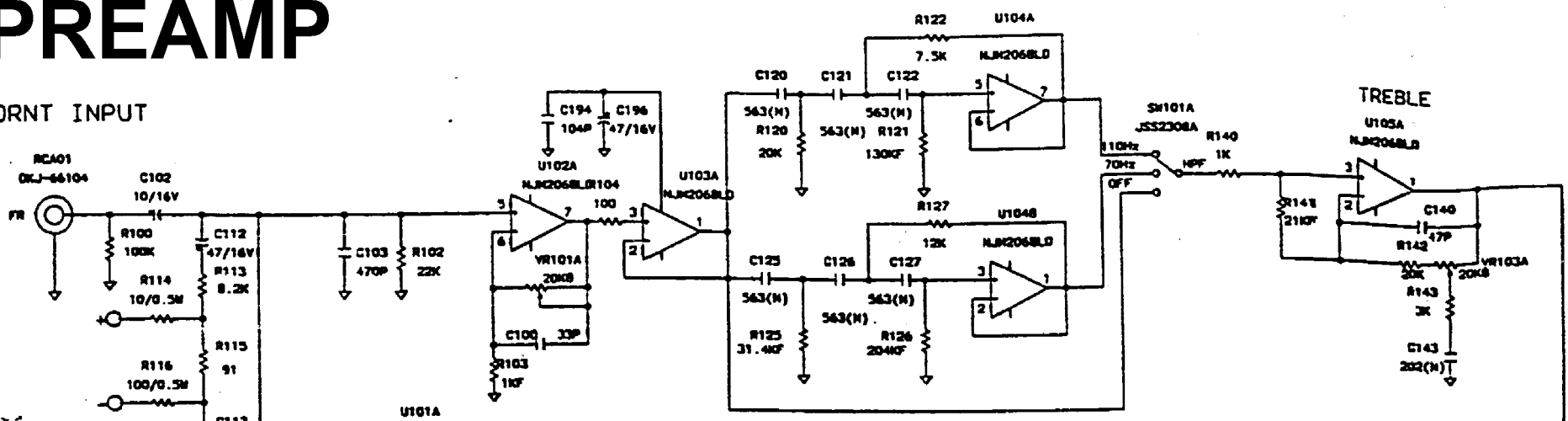
D703
1N4148



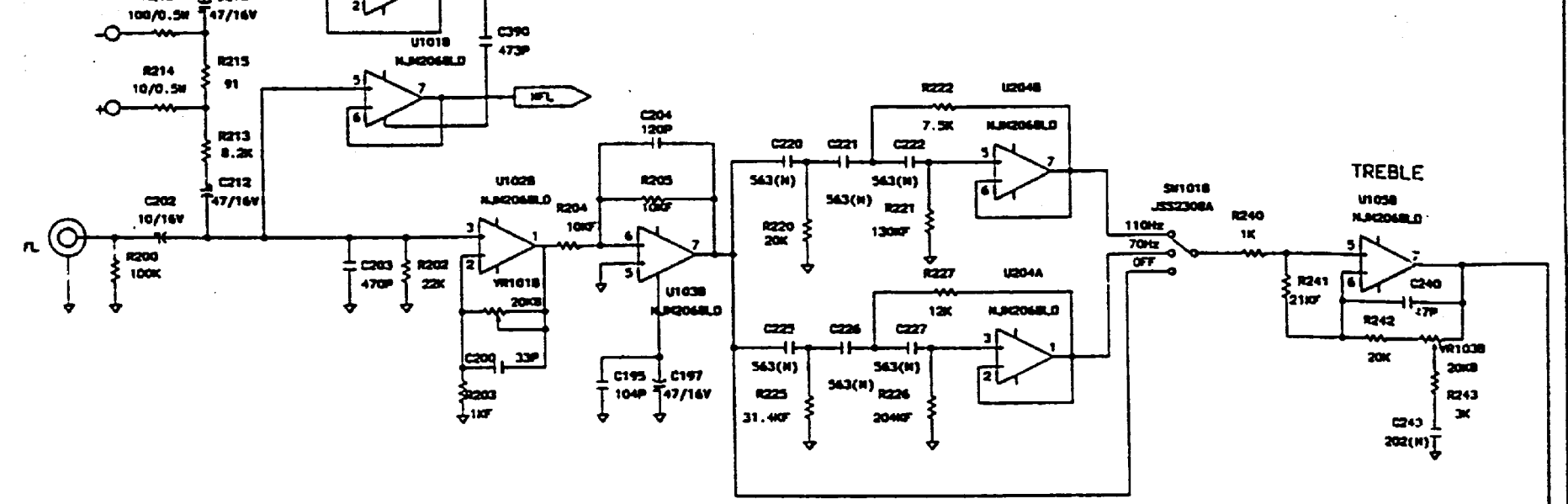
IX405D
KICKER

PREAMP

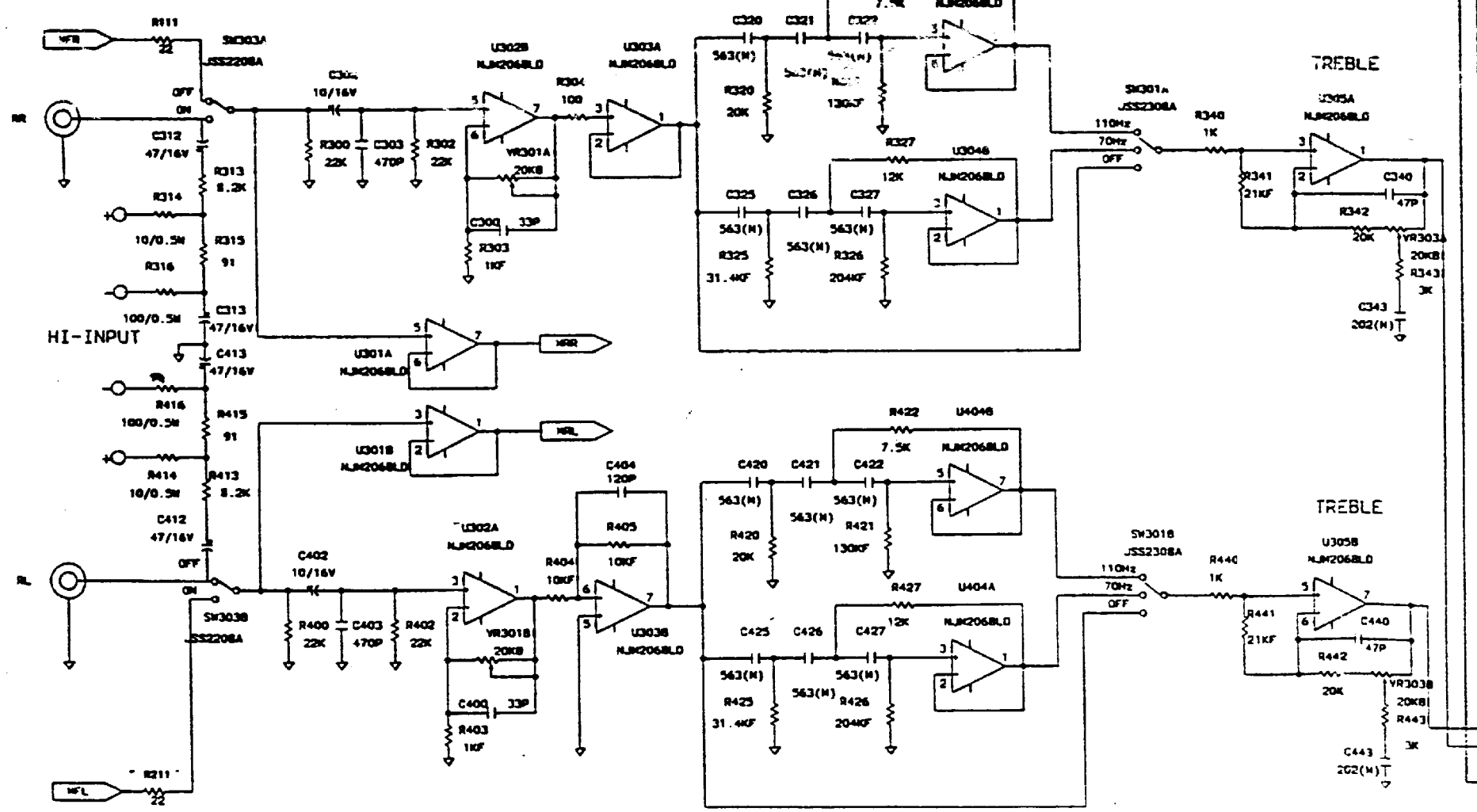
FRONT INPUT



HI-INPUT

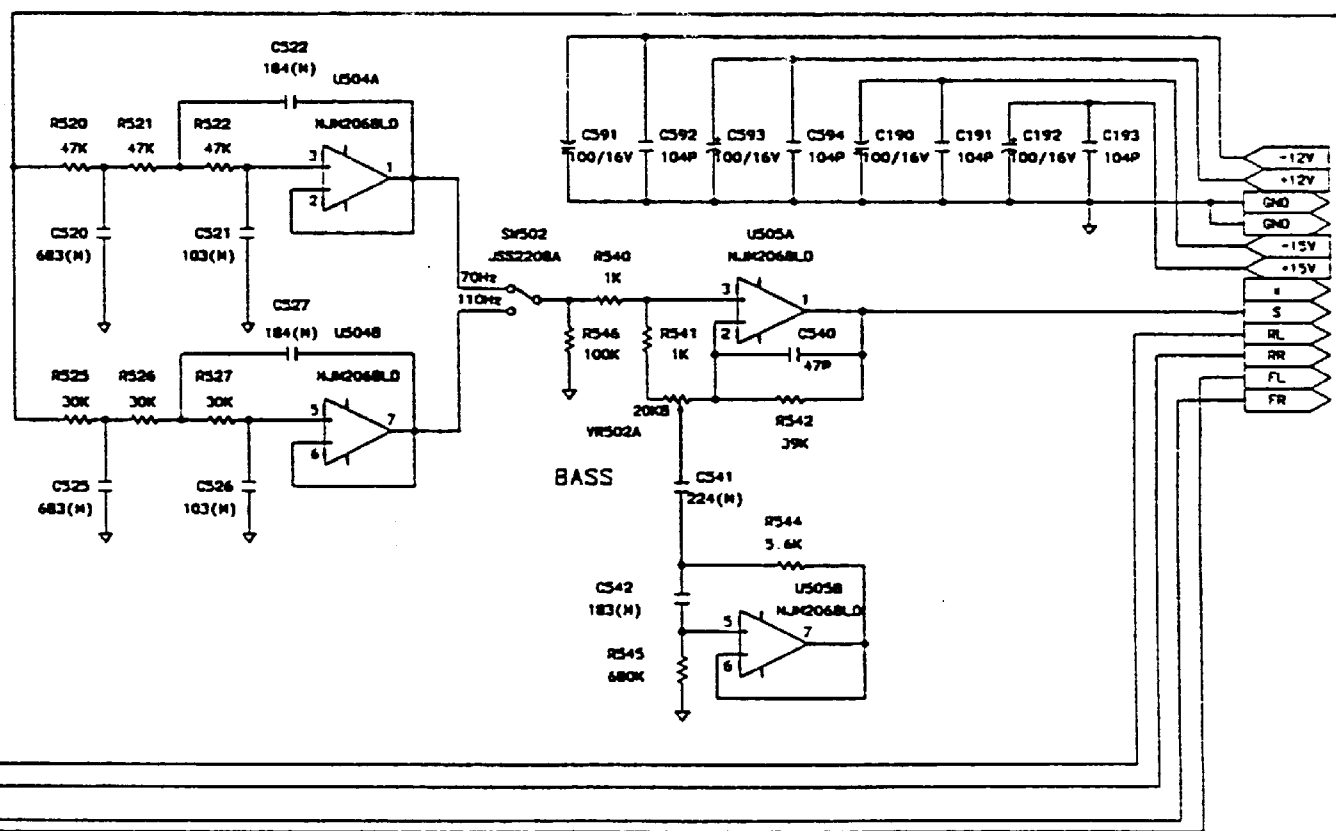
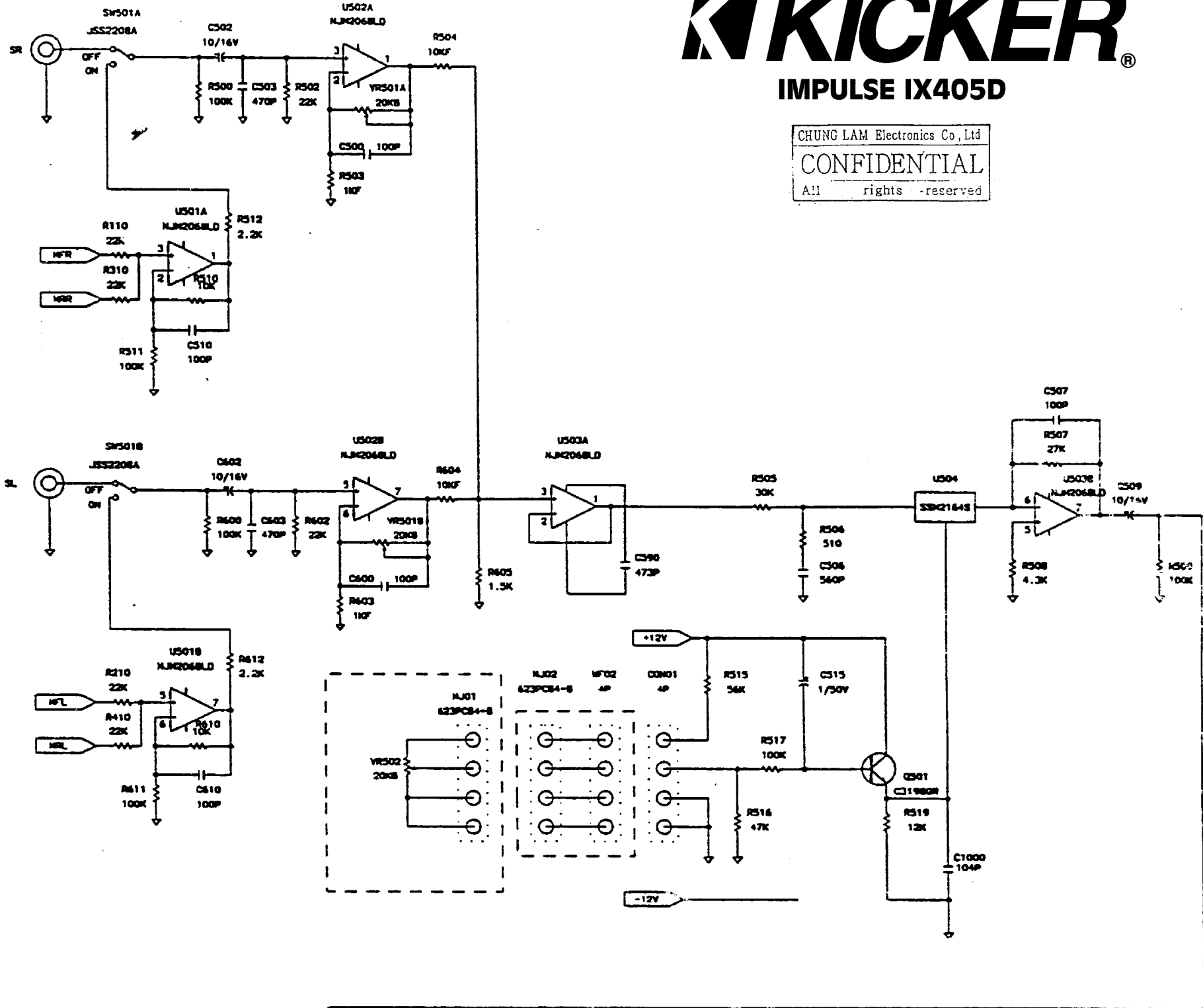


REAR INPUT



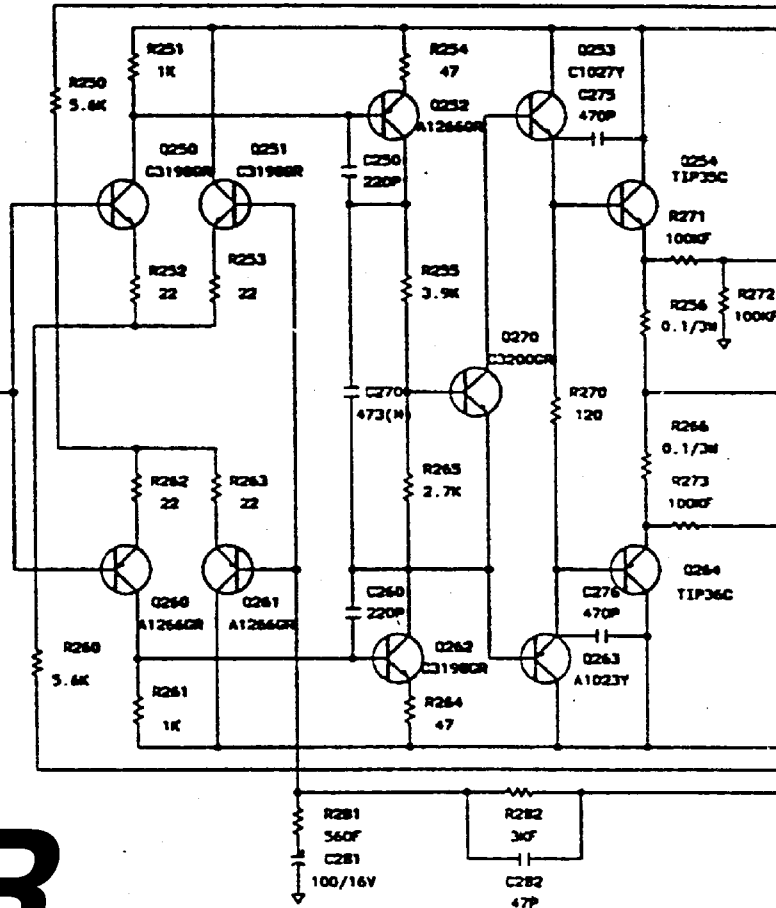
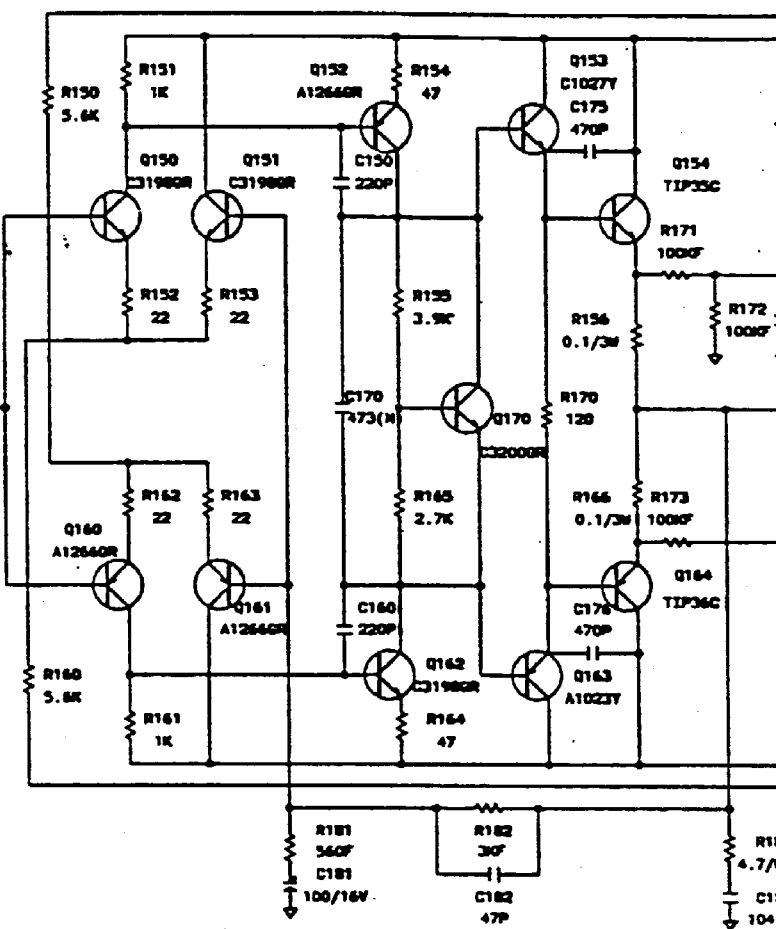
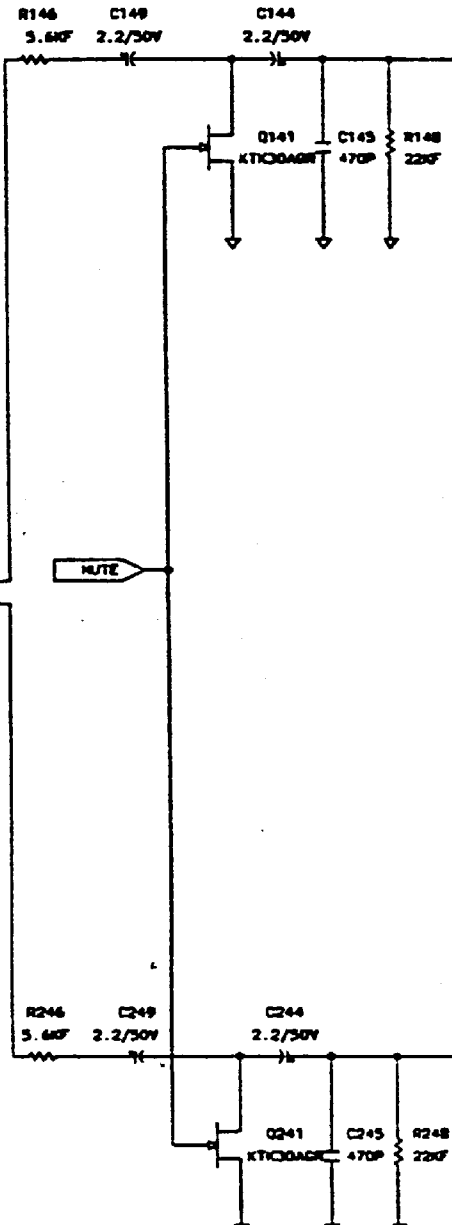
IMPULSE IX405D

CHUNG LAM Electronics Co, Ltd
CONFIDENTIAL
All rights reserved



CHUNG LAM Electronics Co., Ltd
CONFIDENTIAL
 All rights reserved

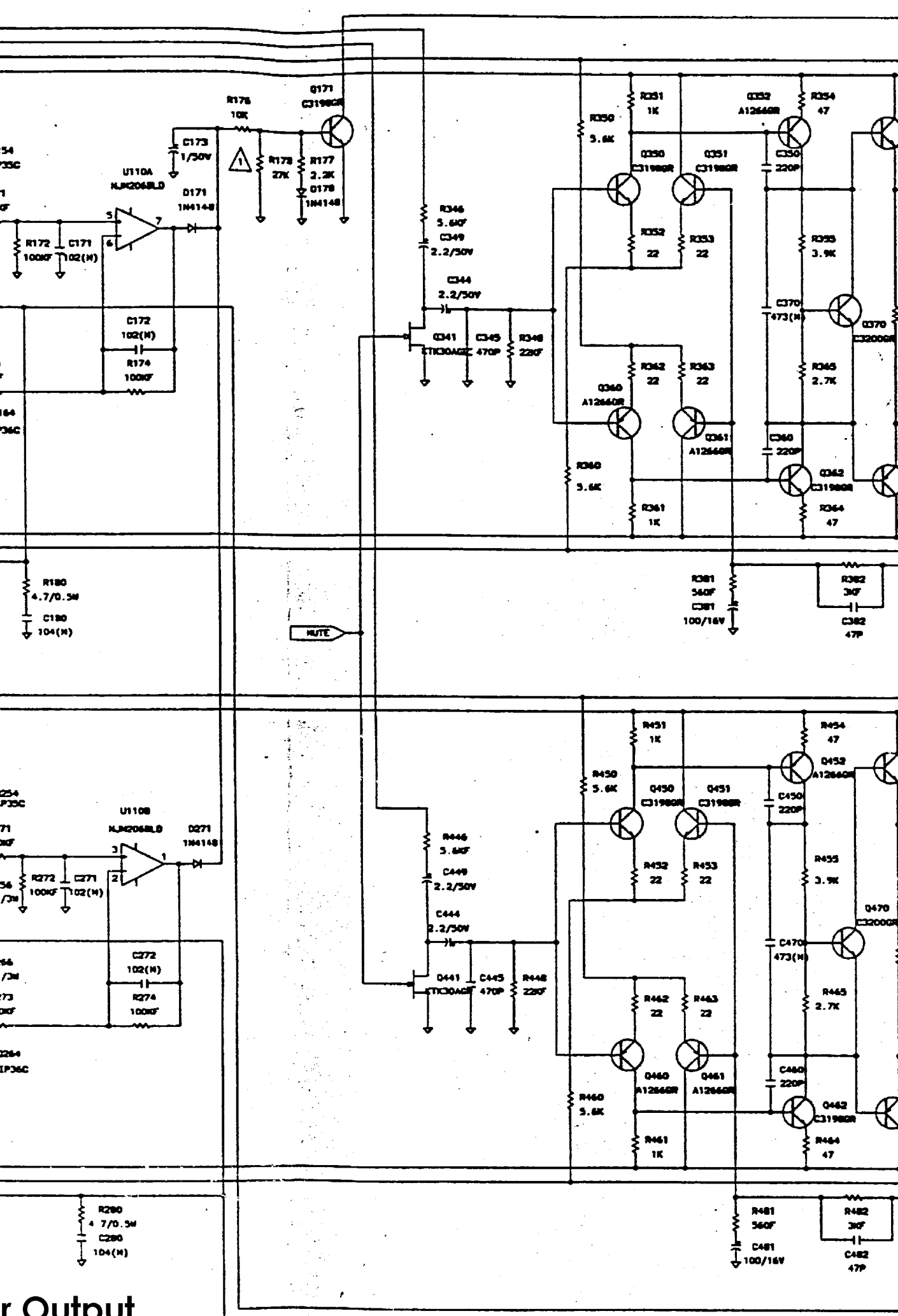
- CONN2
- RR
- RL
- FR
- FL
- +
- S
- +15V
- 15V
- GND5
- GND5



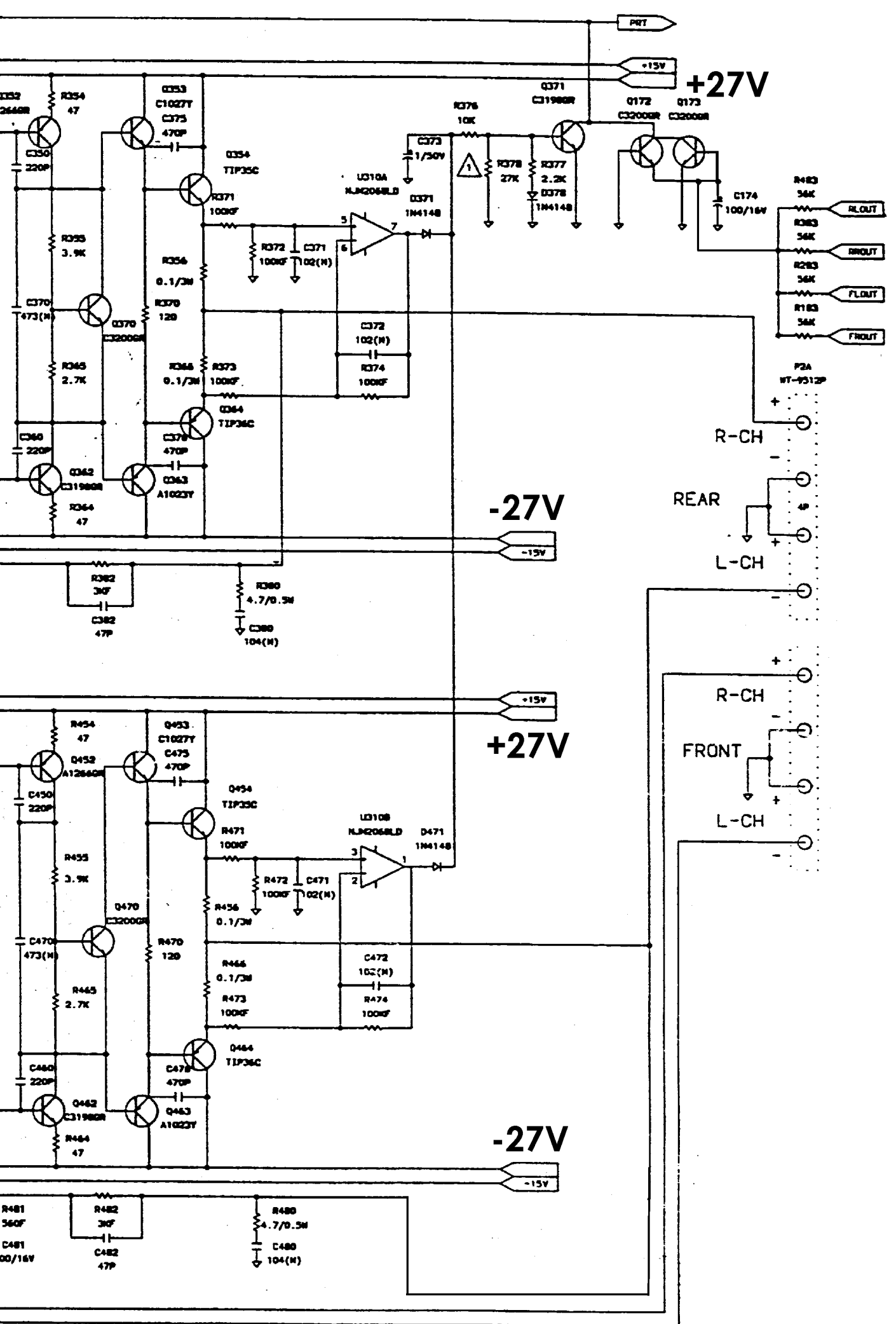
KICKER®

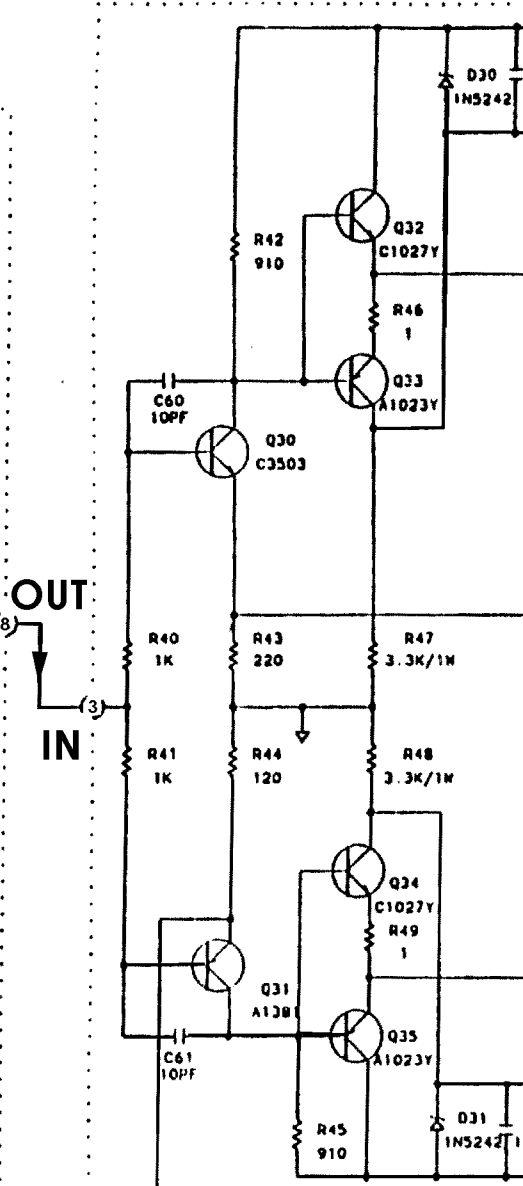
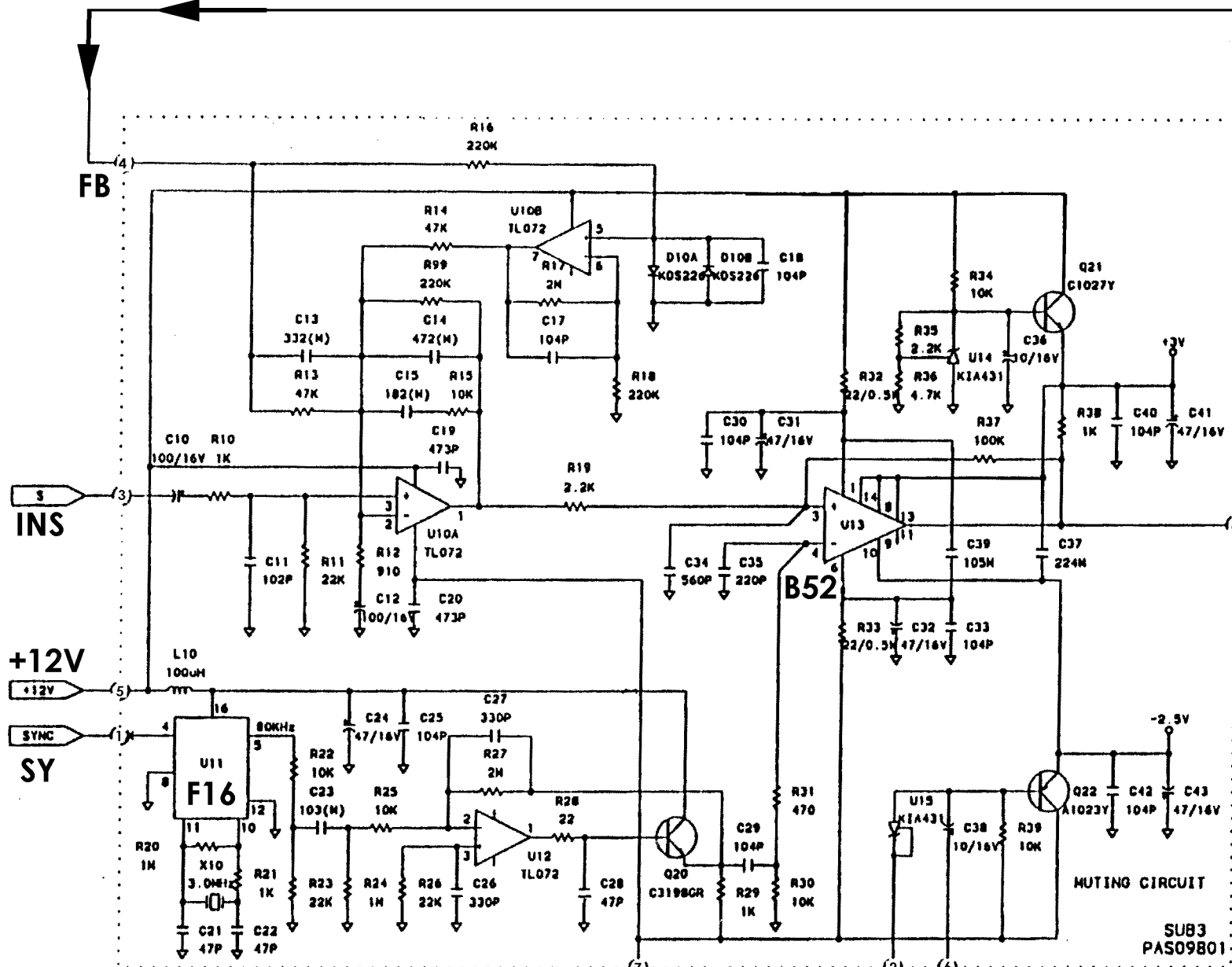
IMPULSE IX405D

QUAD Power Out



r Output

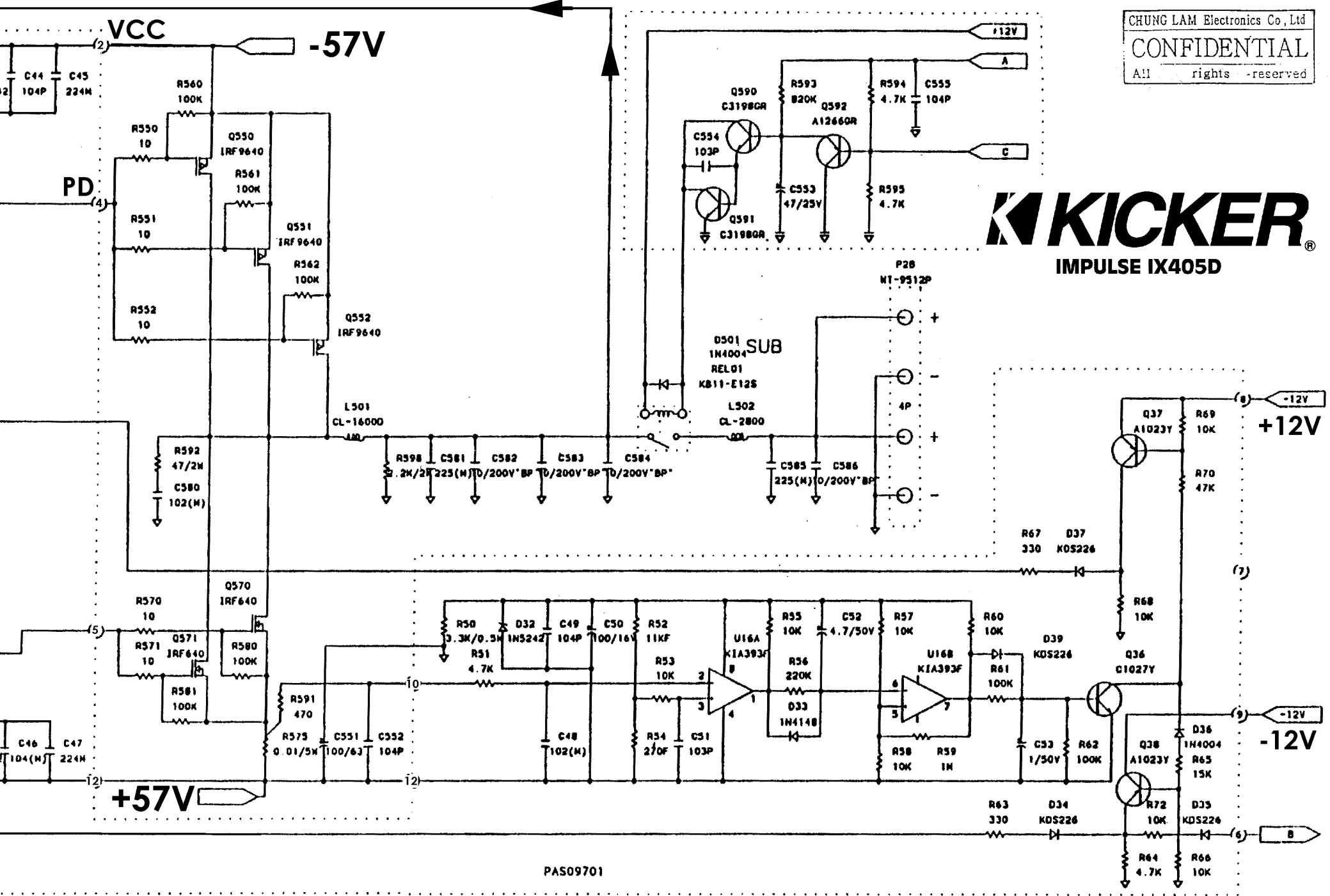




Sub Base Amplifier

SUB3 PCBoard PAS09801

SUB2 PCBoard PAS09701



KICKER
 IMPULSE IX405D

PAS09701