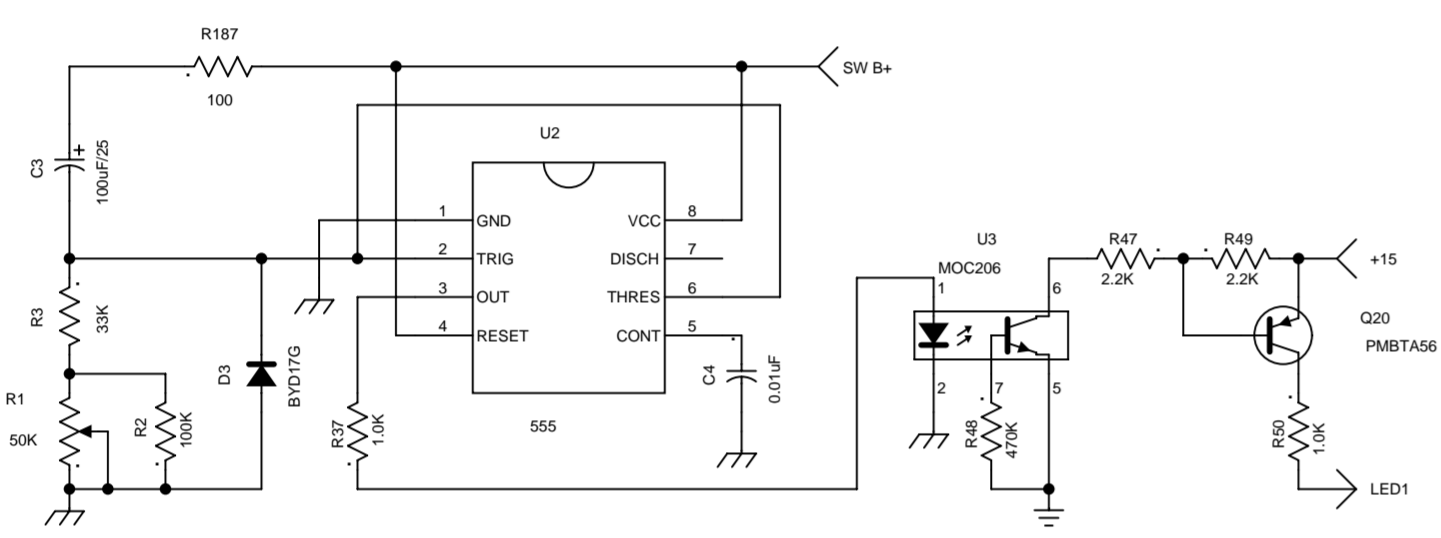
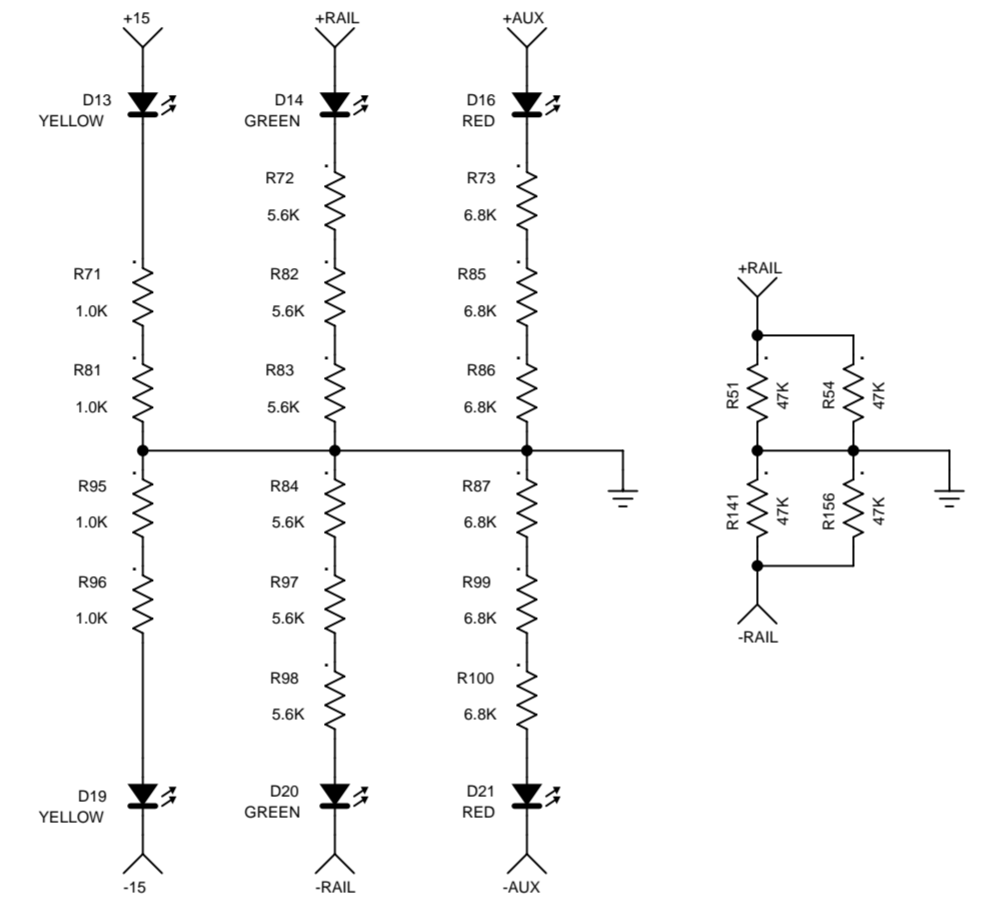


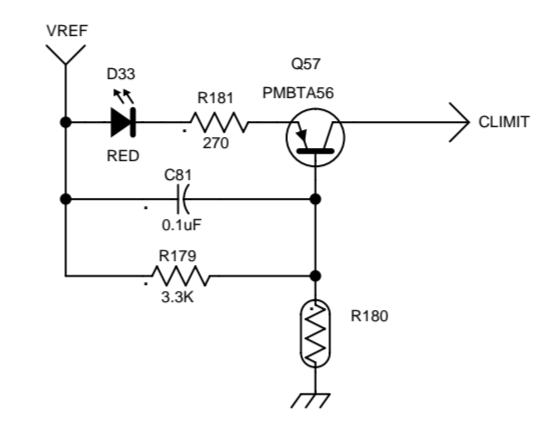
TURN ON DELAY



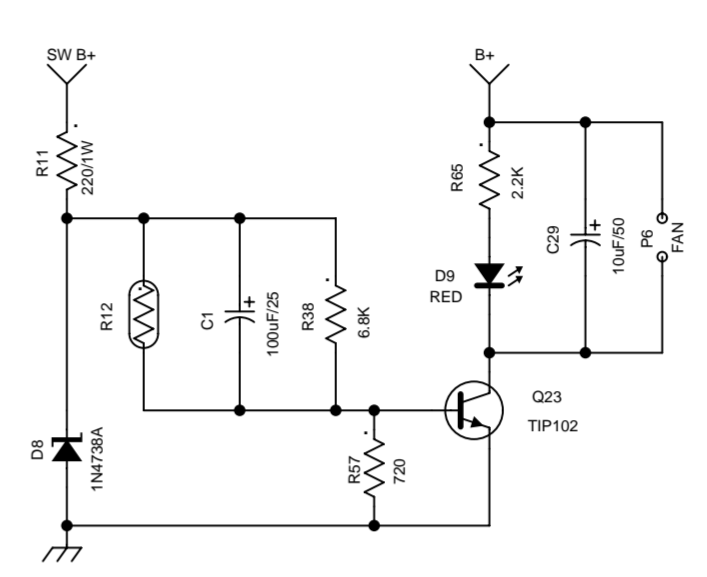
POWER SUPPLY LEDS



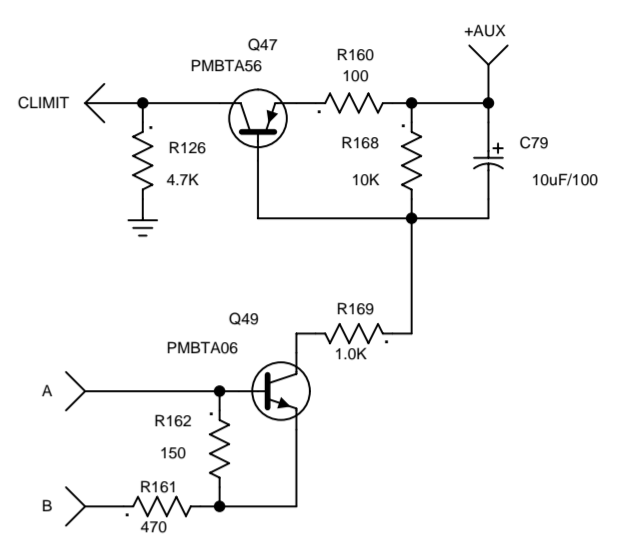
THERMAL



FAN CONTROL



CURRENT LIMIT

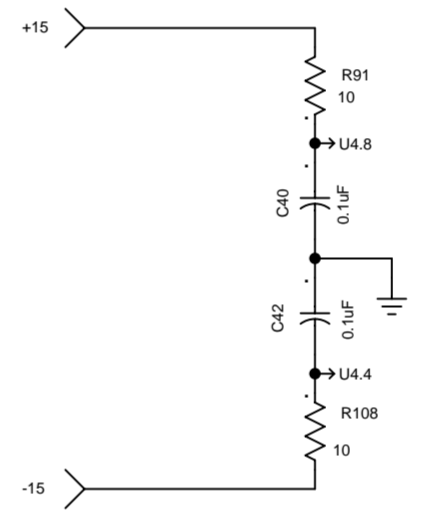
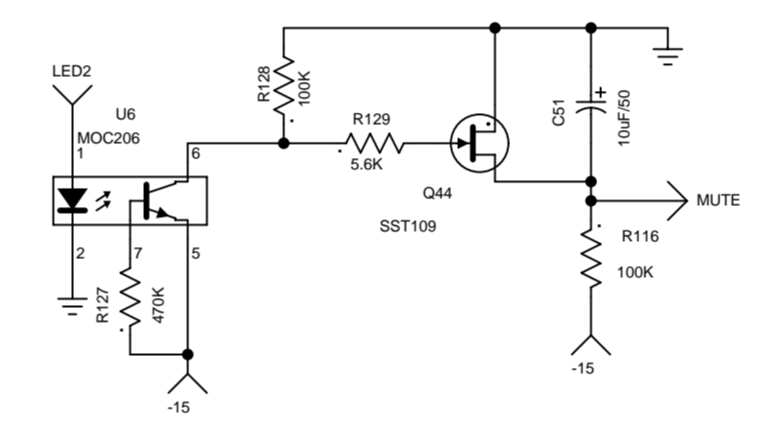


TURN ON DELAY

POWER SUPPLY LEDS

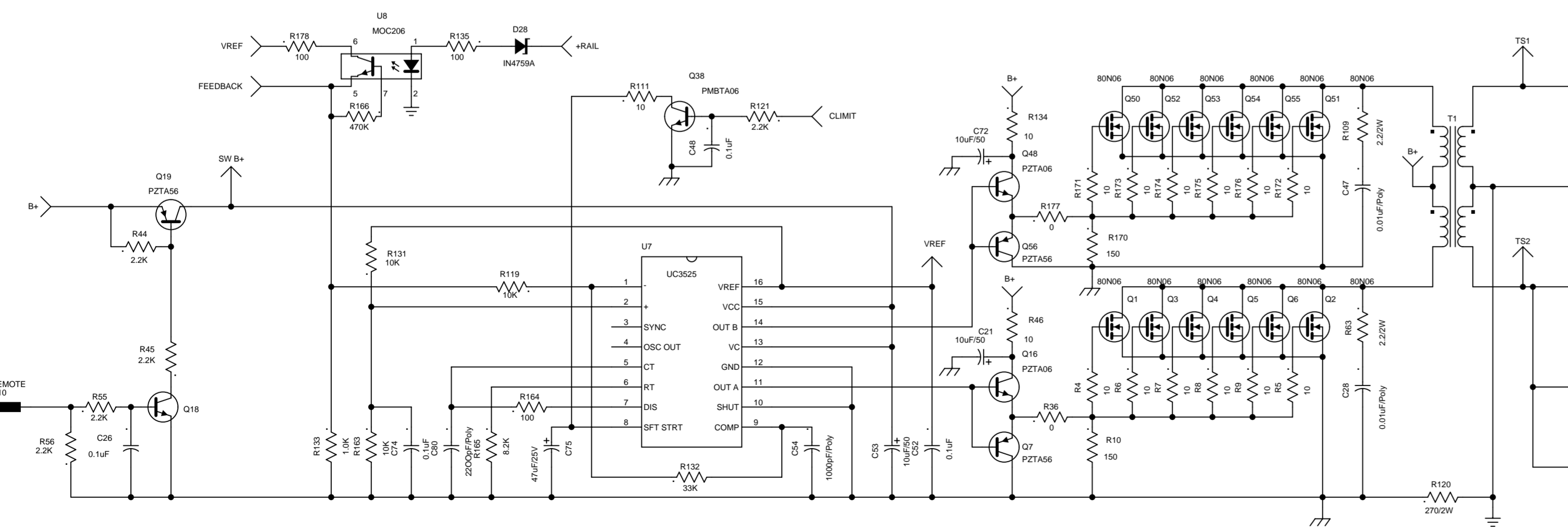
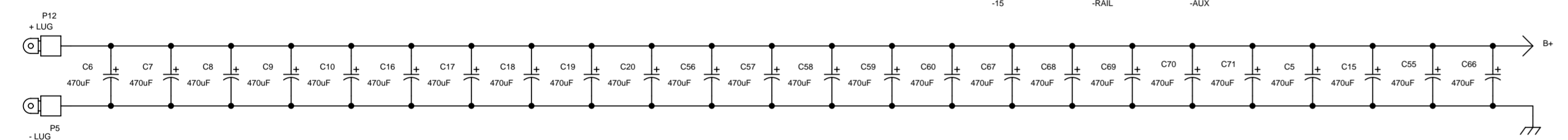
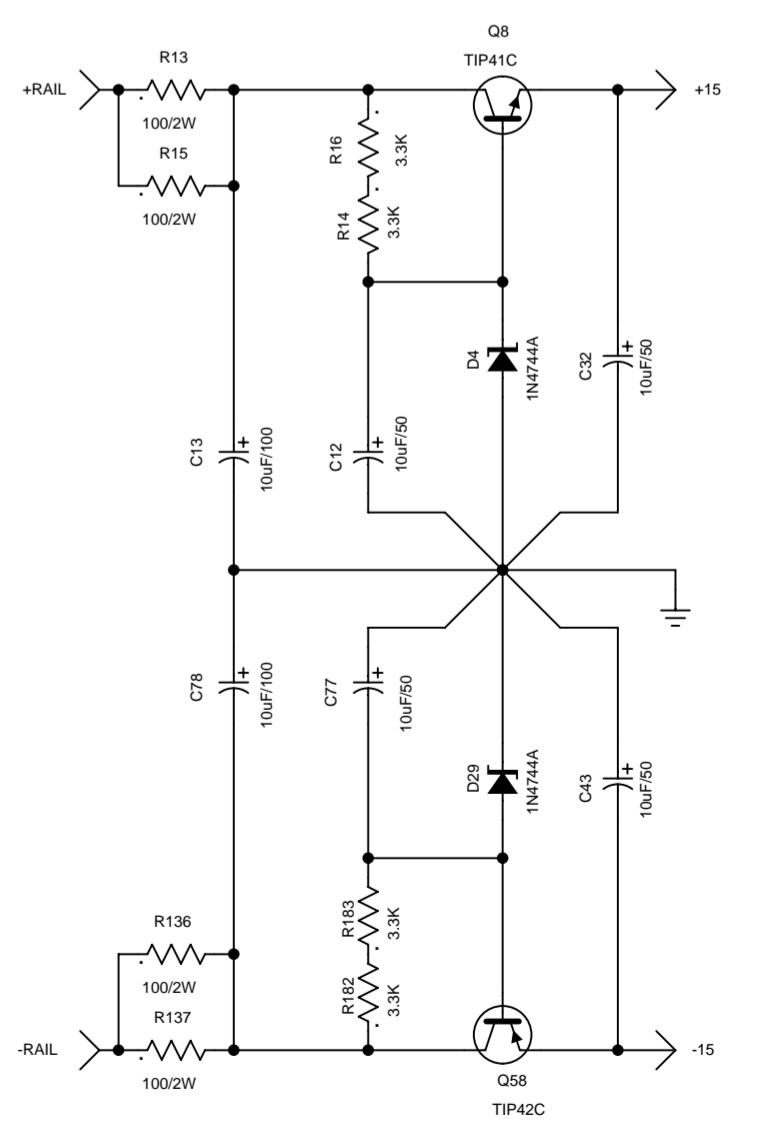
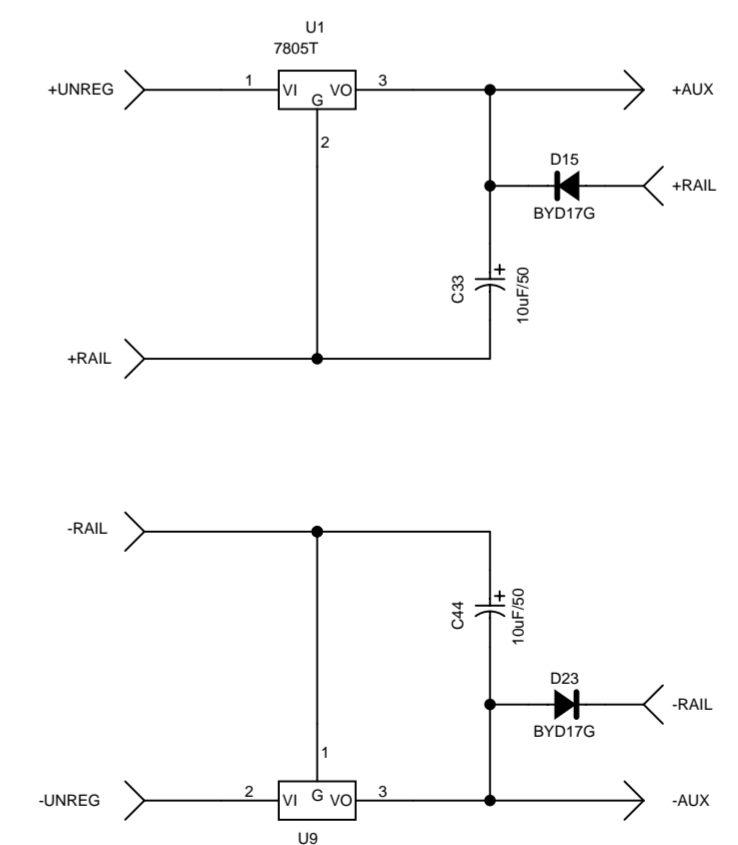
INPUT MUTE CONTROL

OP AMP PS FILTERS



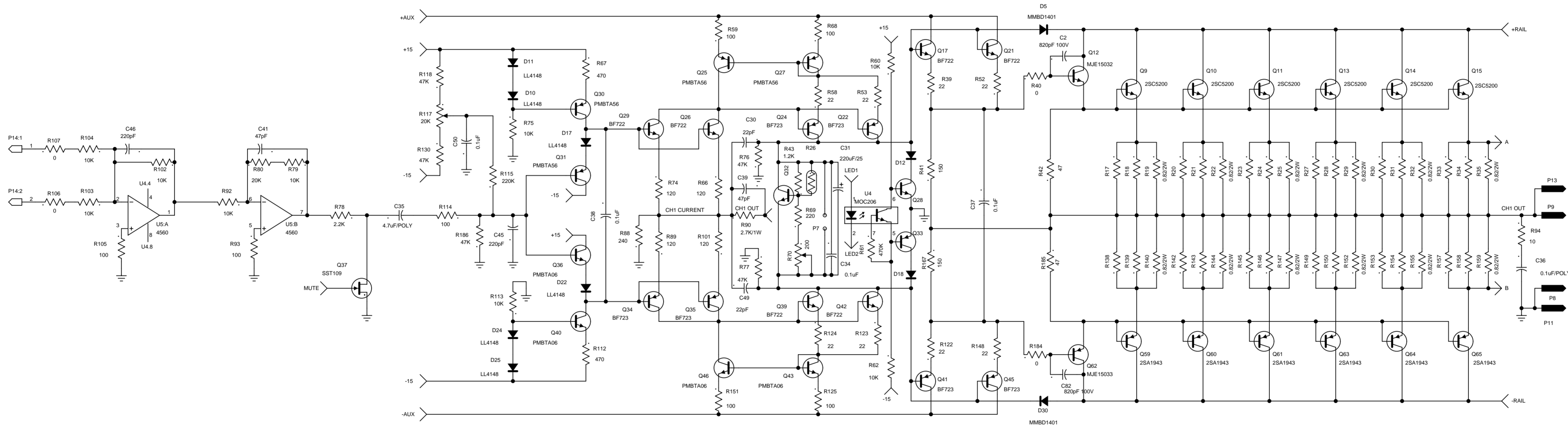
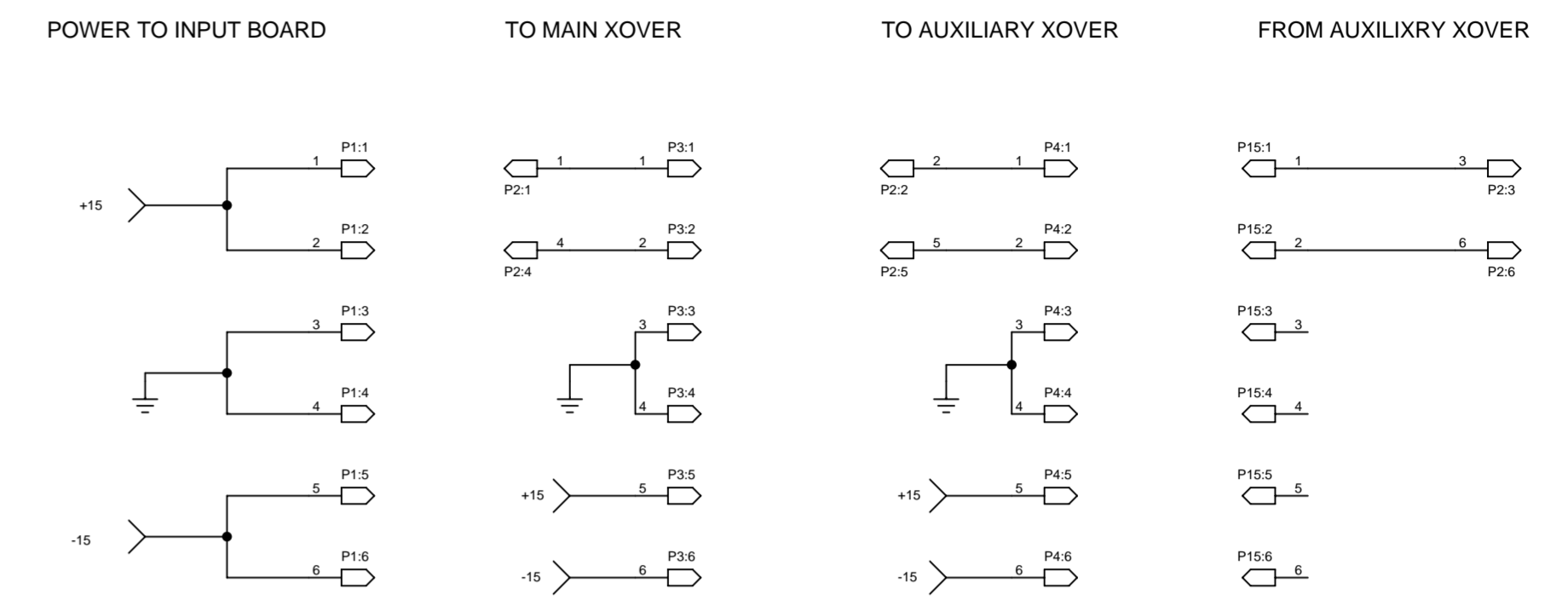
+/-AUX REGULATORS

+/-15V REGULATORS



Title <b>D7401 MAIN BOARD</b>		
Size <b>D</b>	Number <b>500-7401-100000</b>	Rev <b>2</b>
Date Tue Jul 02 2002	Drawn by SCHWITALLA	
Filename D74012.S01	Sheet 1 of 2	

### INPUT BOARD CONNECTIONS



Title		
D7401 MAIN BOARD		
Size	Number	Rev
D	500-7401-100000	2
Date	Tue Jul 02 2002	Drawn by SCHWITALLA
Filename	D74012.S02	Sheet 2 of 2