

Schaltbild • Circuit diagramm • Schema du poste • Esquema del aparato

(D) Weitere Dokumentationen

Service Anleitung 8 622 400 841
 Ersatzteilliste 8 622 400 809

(F) Dokumentations complémentaires

Manuel de service 8 622 400 841
 Liste de rechanges 8 622 400 809

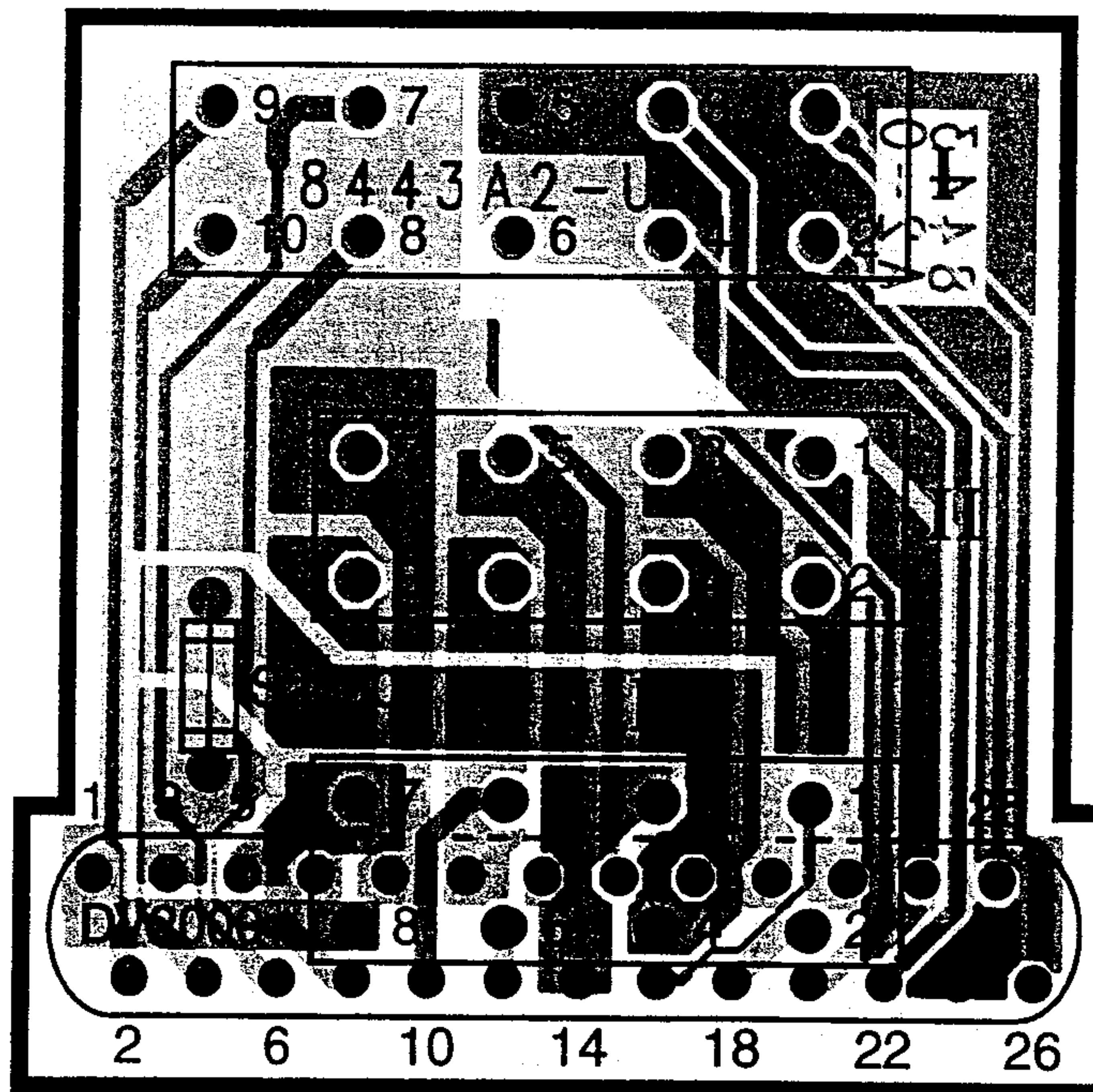
(GB) Supplementary documentations:

Service manual 8 622 400 841
 Spare Part List 8 622 400 809

(E) Documentaciones suplementarias

Manual de servicio 8 622 400 841
 Lista de repuestos 8 622 400 809

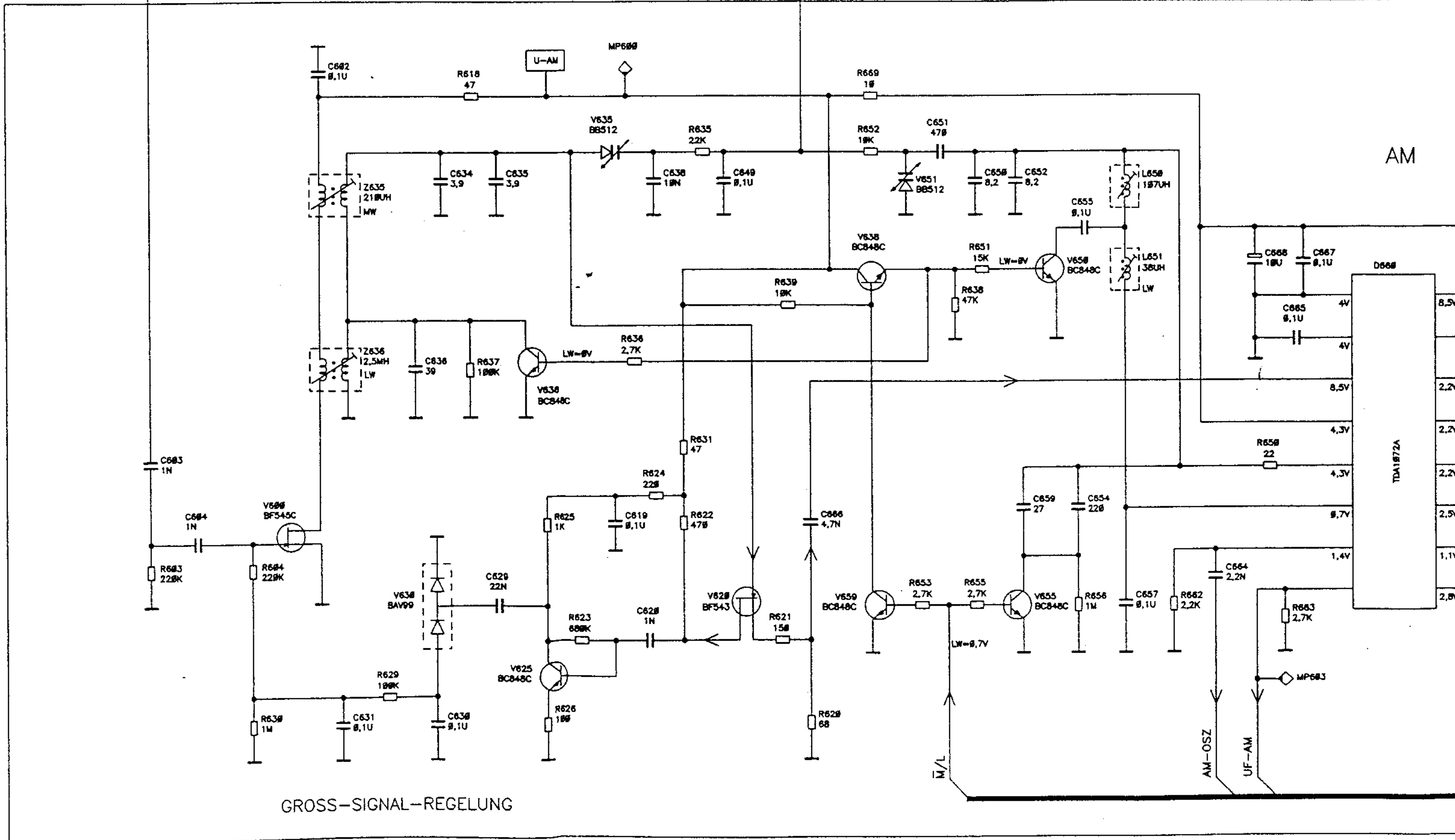
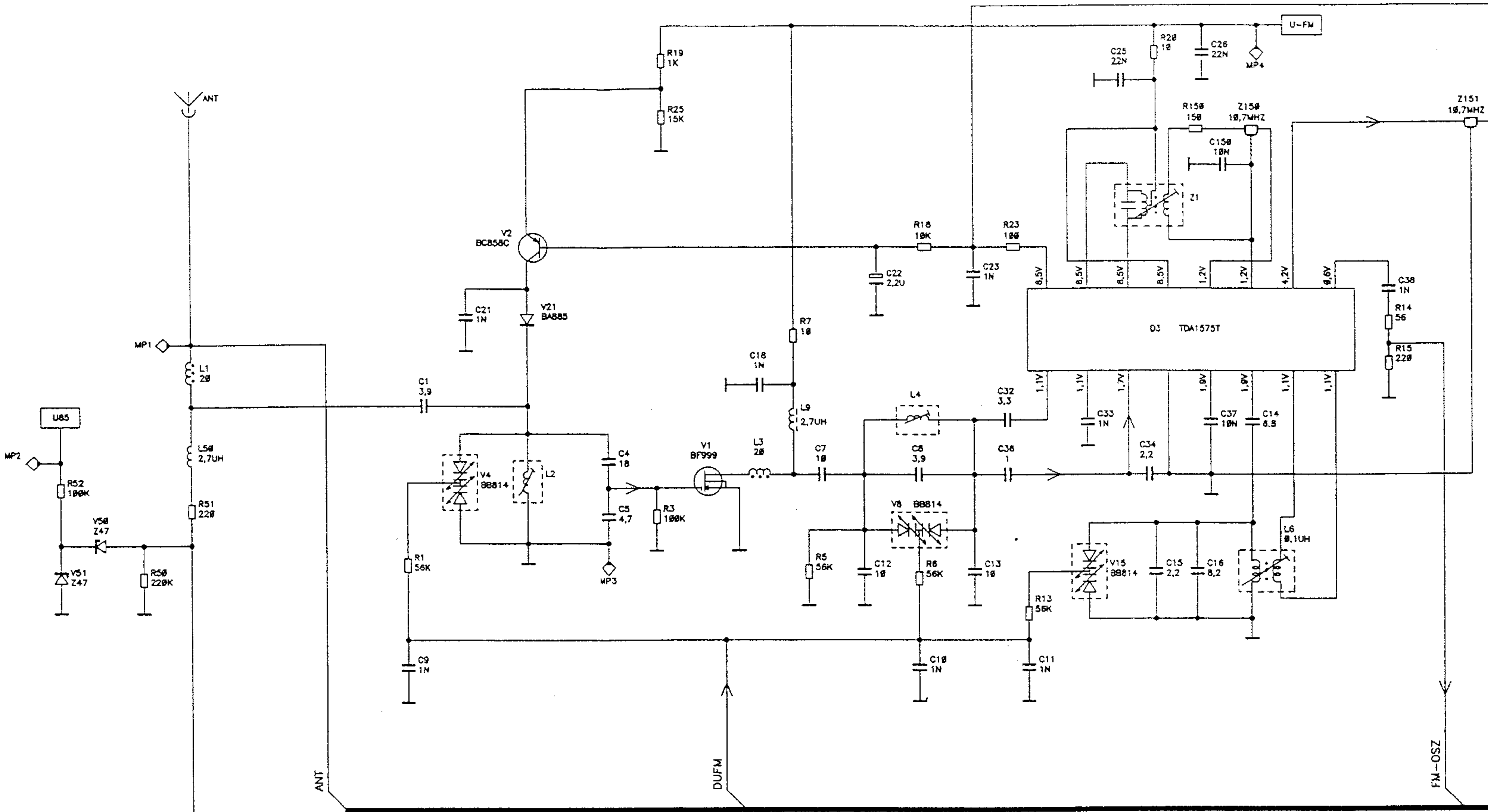
Anschlußplatte
Connector board
 PL 8443 A02



DV2000

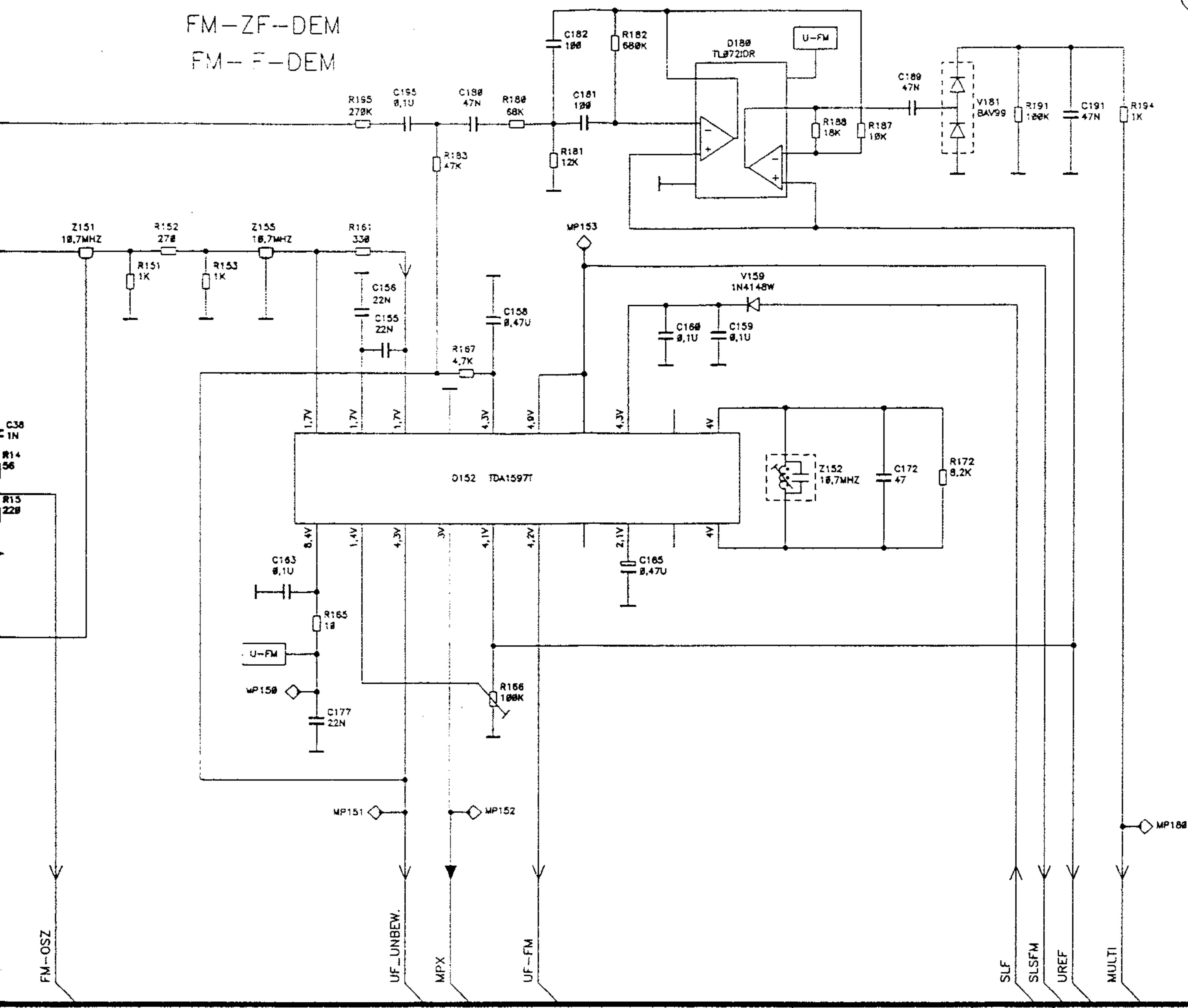
| | |
|-----------------|----------------|
| 1 = GND | 14 = |
| 2 = LINE-OUT-LF | 15 = UB-GESCH. |
| 3 = UD | 16 = |
| 4 = LINE-OUT-LR | 17 = RF- |
| 5 = U-ZUEND | 18 = |
| 6 = LINE-OUT-RF | 19 = RF+ |
| 7 = LR- | 20 = TEL-MUTE |
| 8 = LINE-OUT-RR | 21 = RR- |
| 9 = LR+ | 22 = SUB-OUT |
| 10 = AA | 23 = RR+ |
| 11 = LF- | 24 = NF-GND |
| 12 = UDIM / BEL | 25 = |
| 13 = LF+ | 26 = |

HF-MODUL

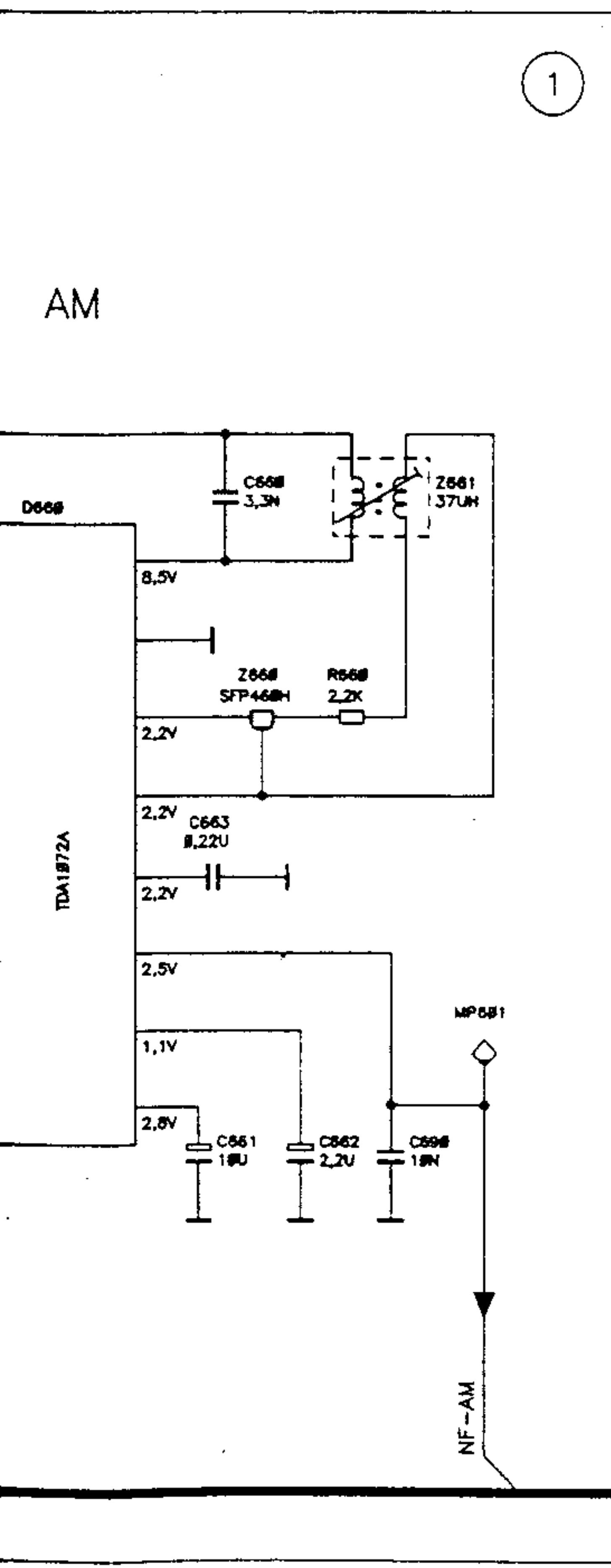


1 Nur fuer Gerate mit AM

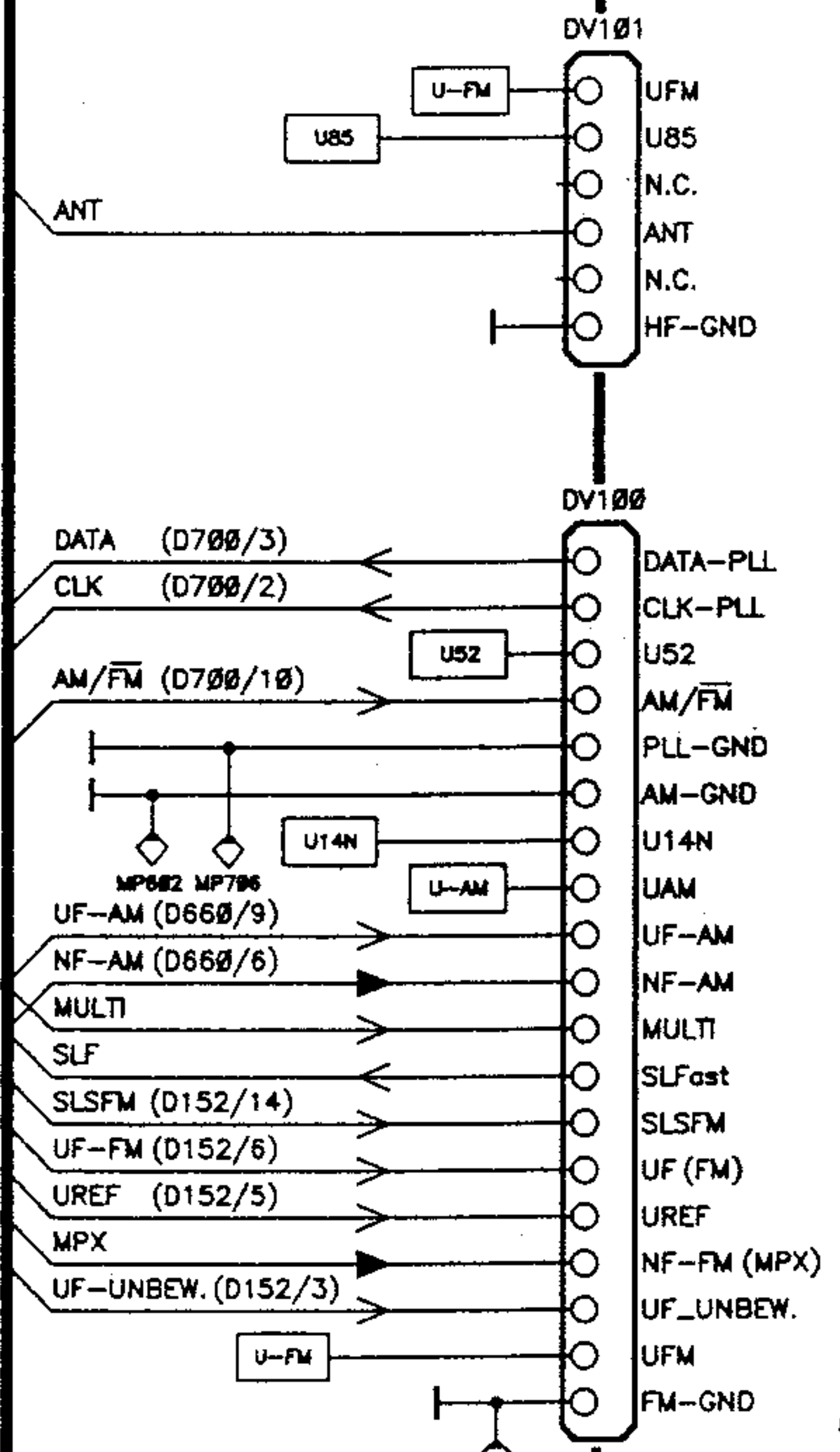
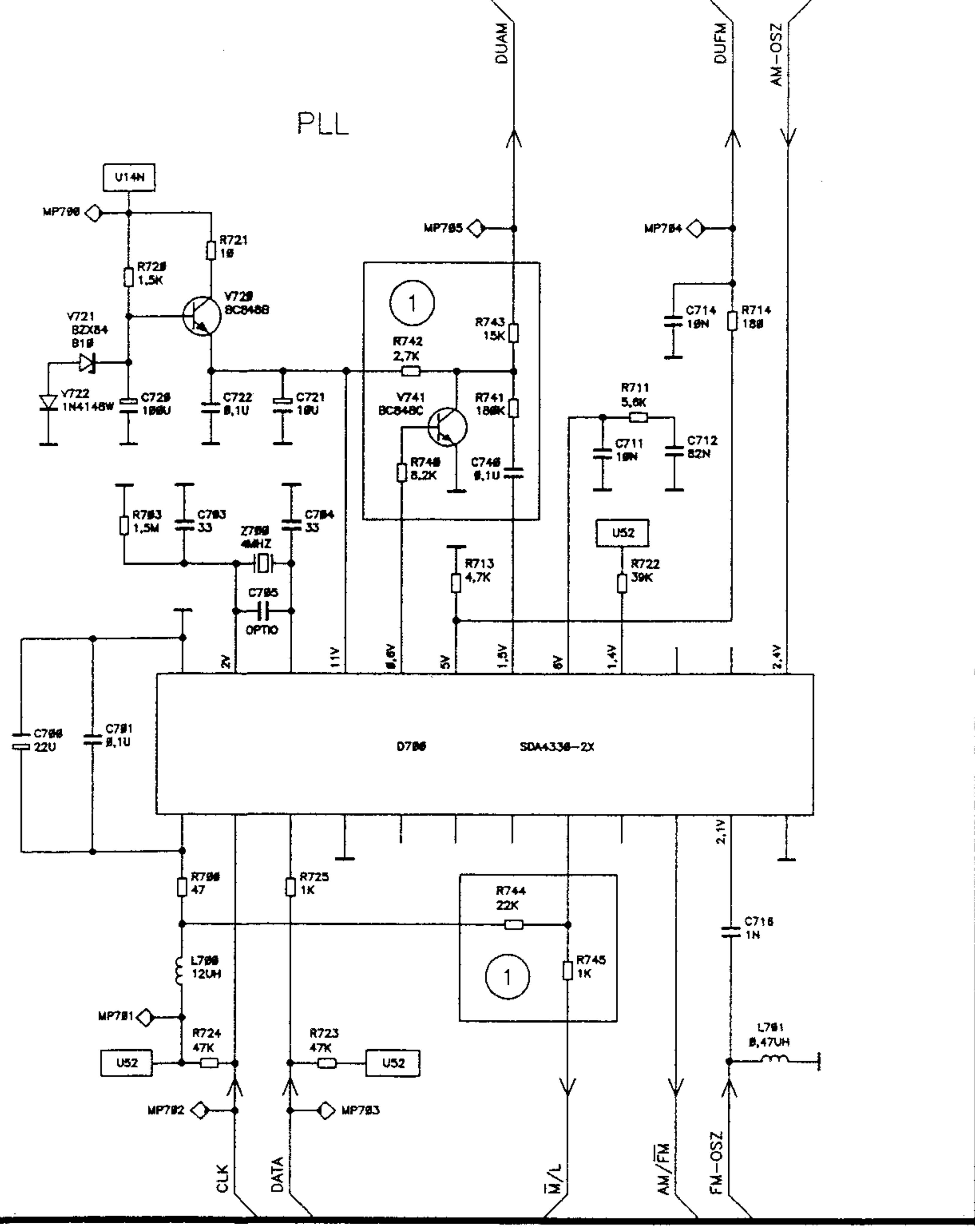
FM-ZF-DEM
FM-F-DEM



AM



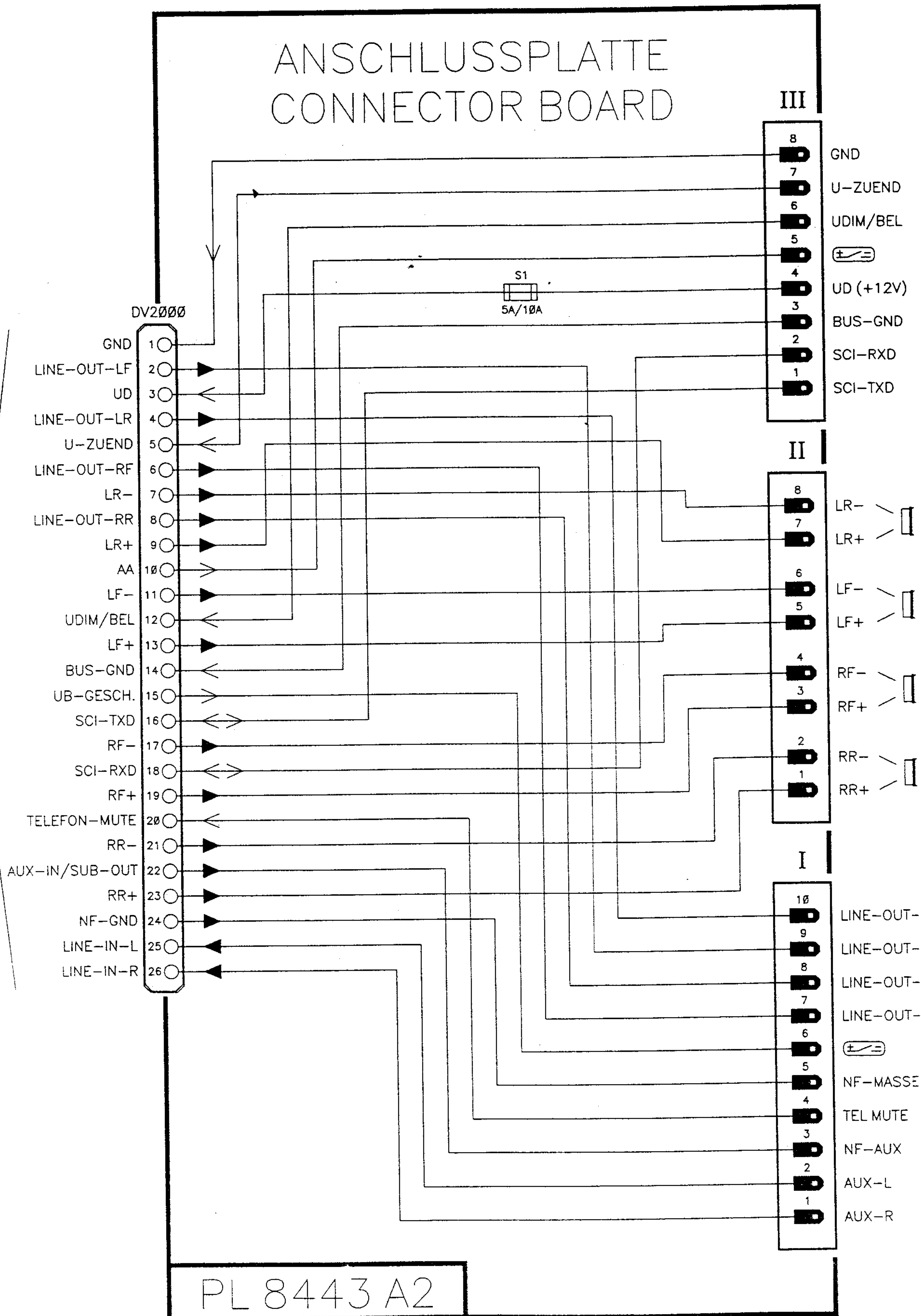
PLL



HAUPTPLATE

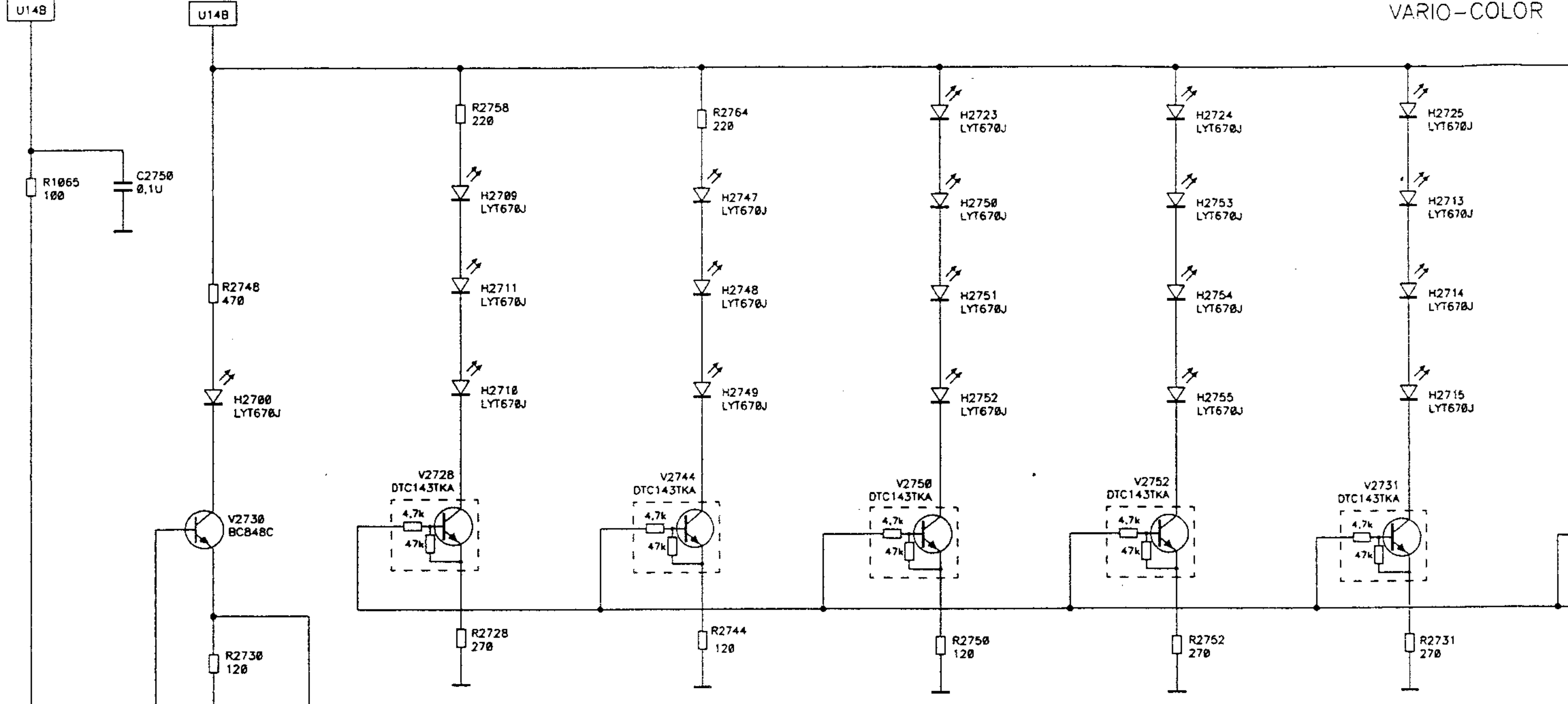
ANSCHLUSSPLATTE CONNECTOR BOARD

HAUPTPLATTE
MAIN BOARD

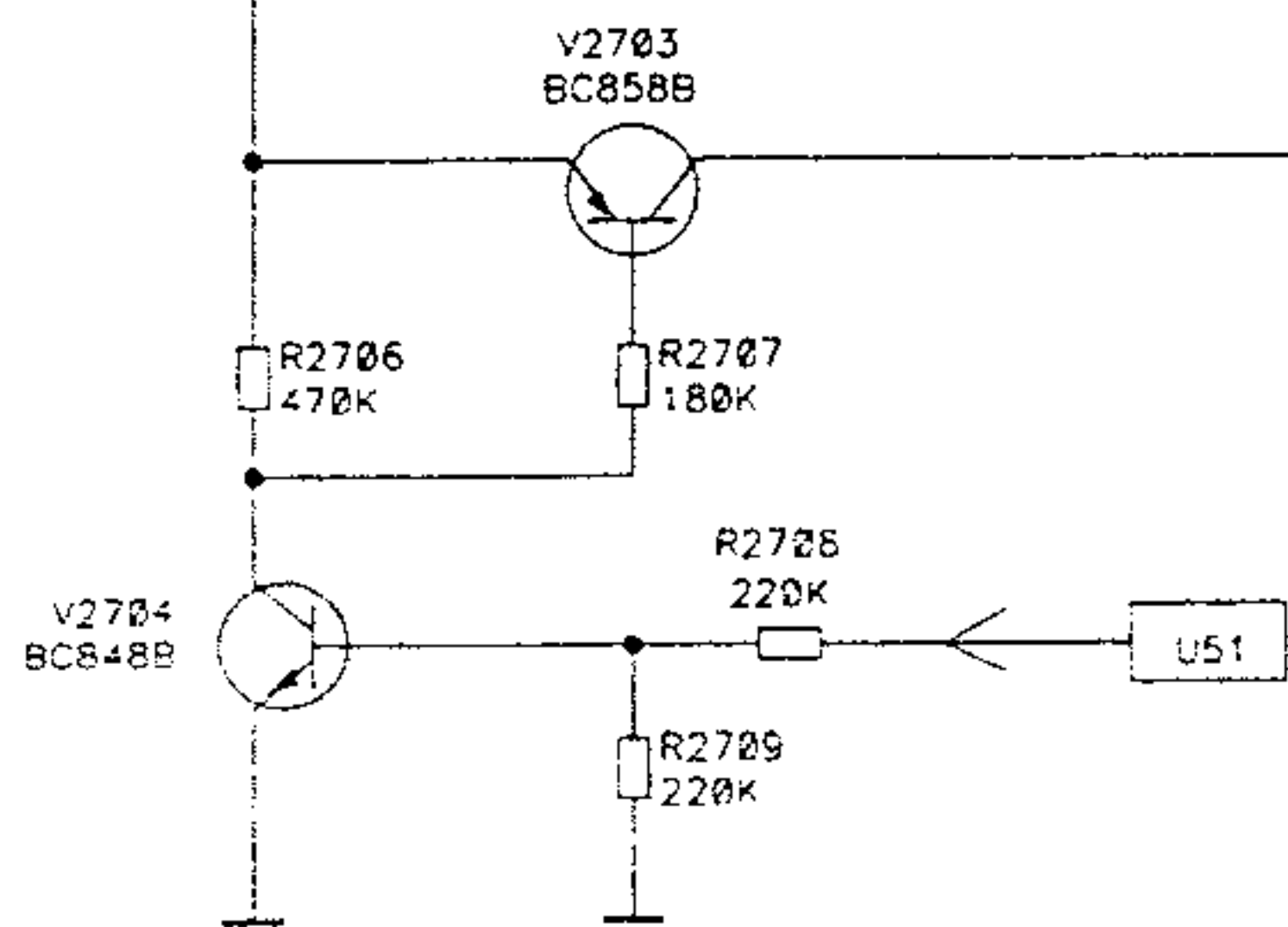
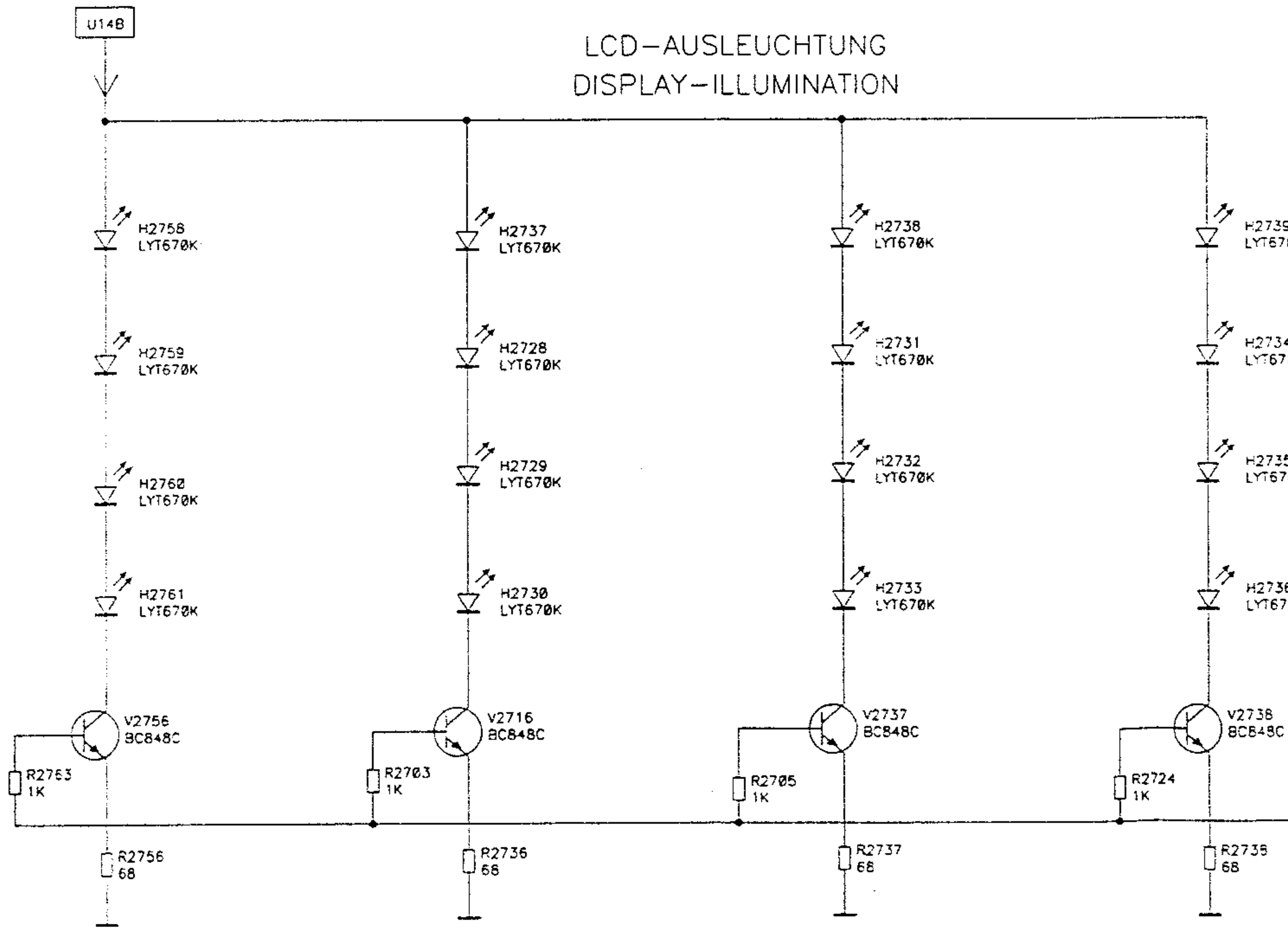


PL 8443 A2

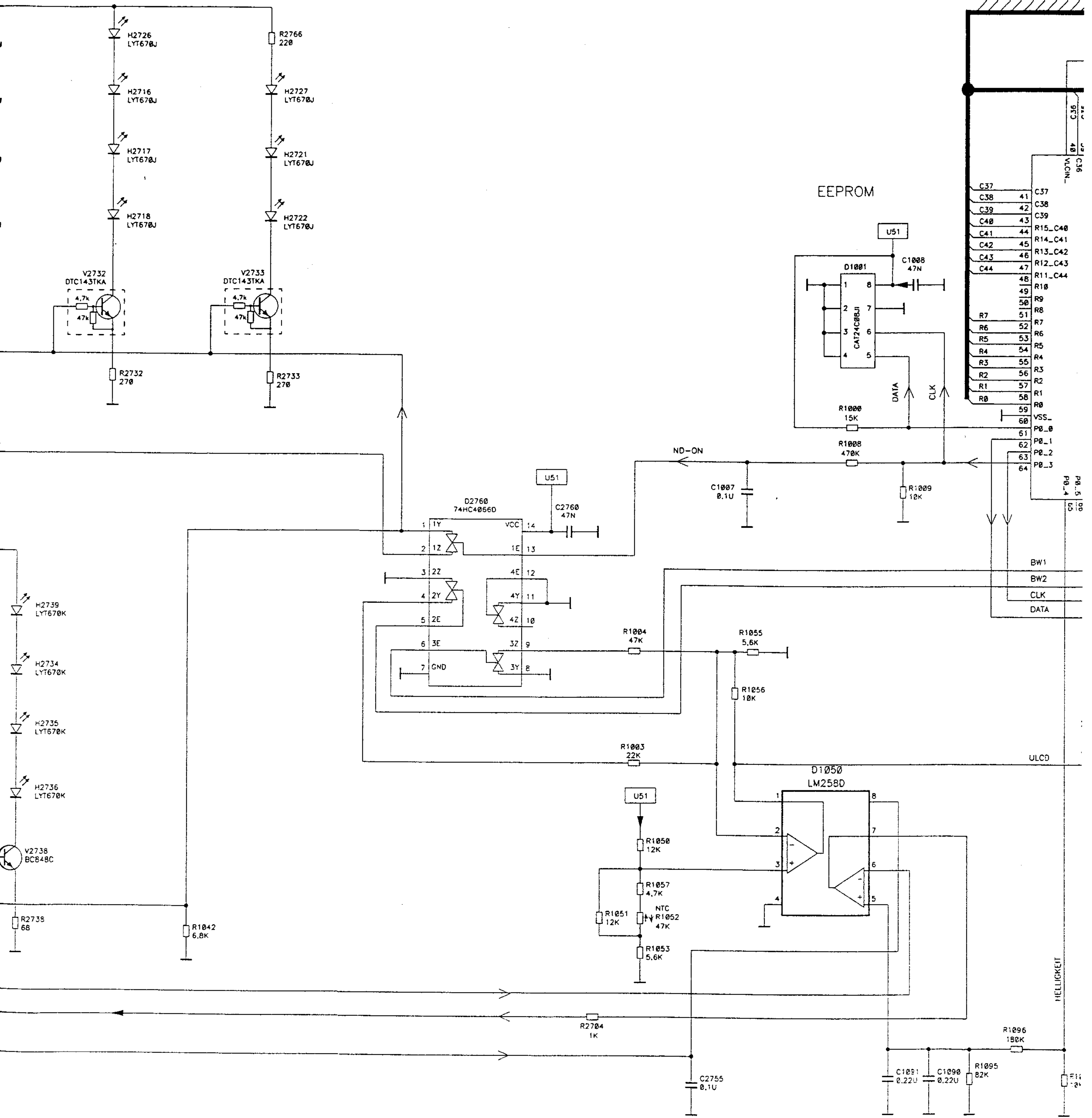
TASTATUR-AUSLEUCHTUNG
VARIO-COLOR

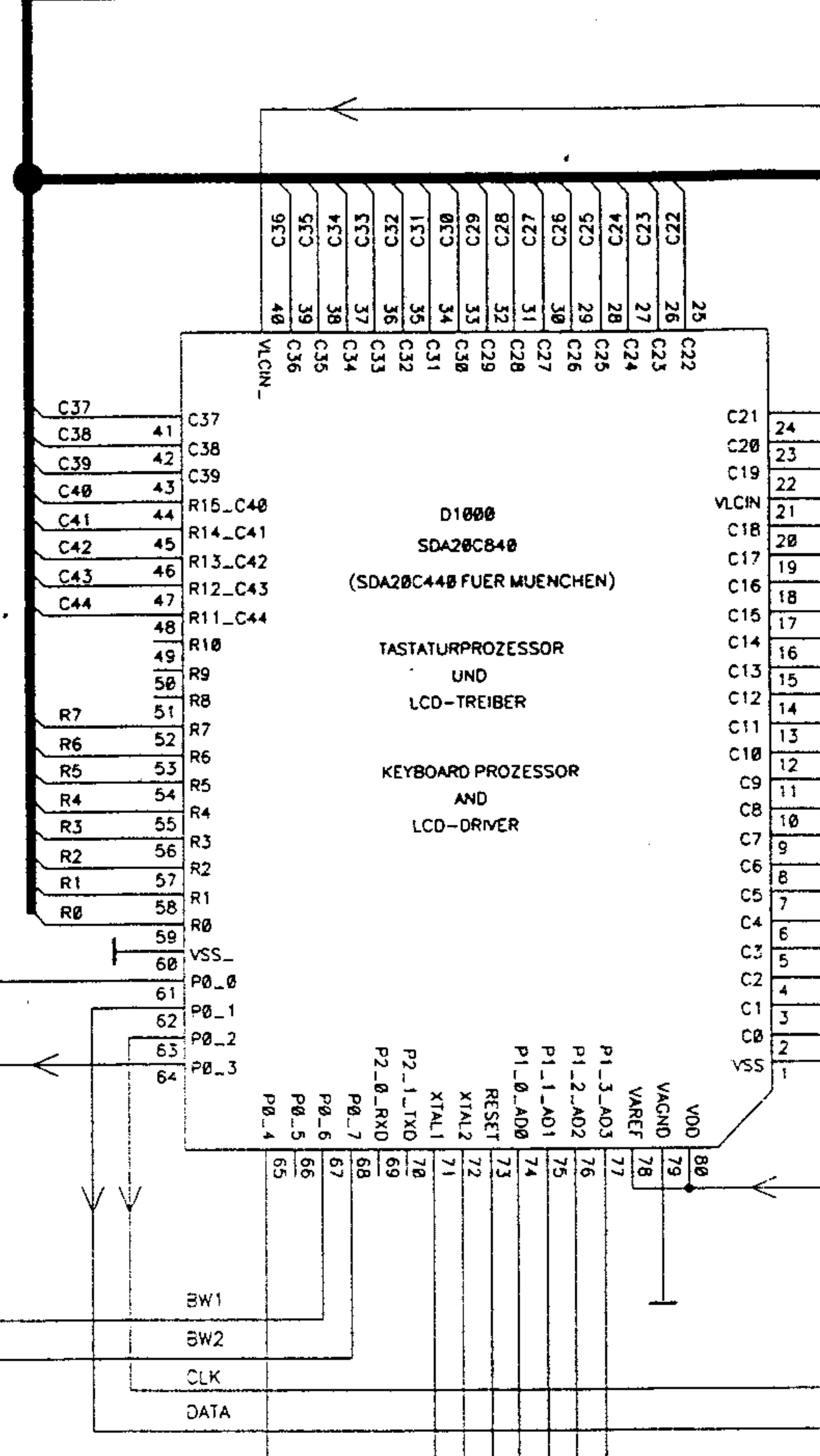
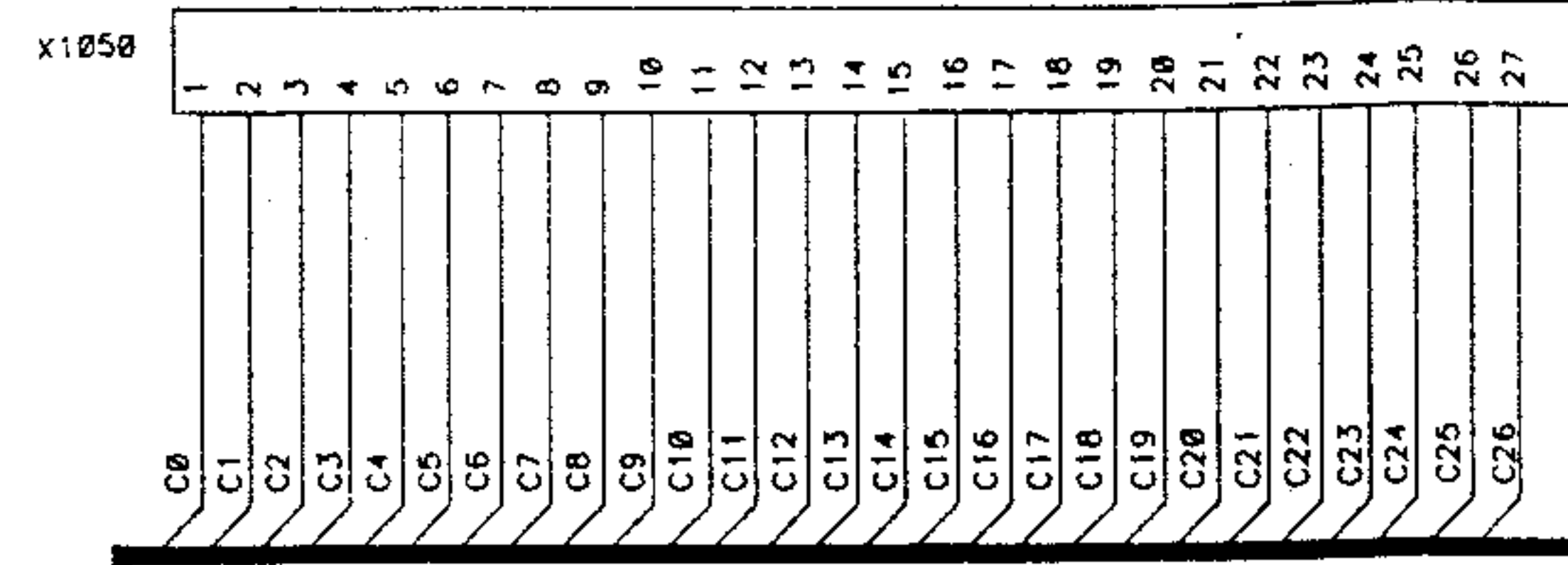


LCD-AUSLEUCHTUNG
DISPLAY-ILLUMINATION

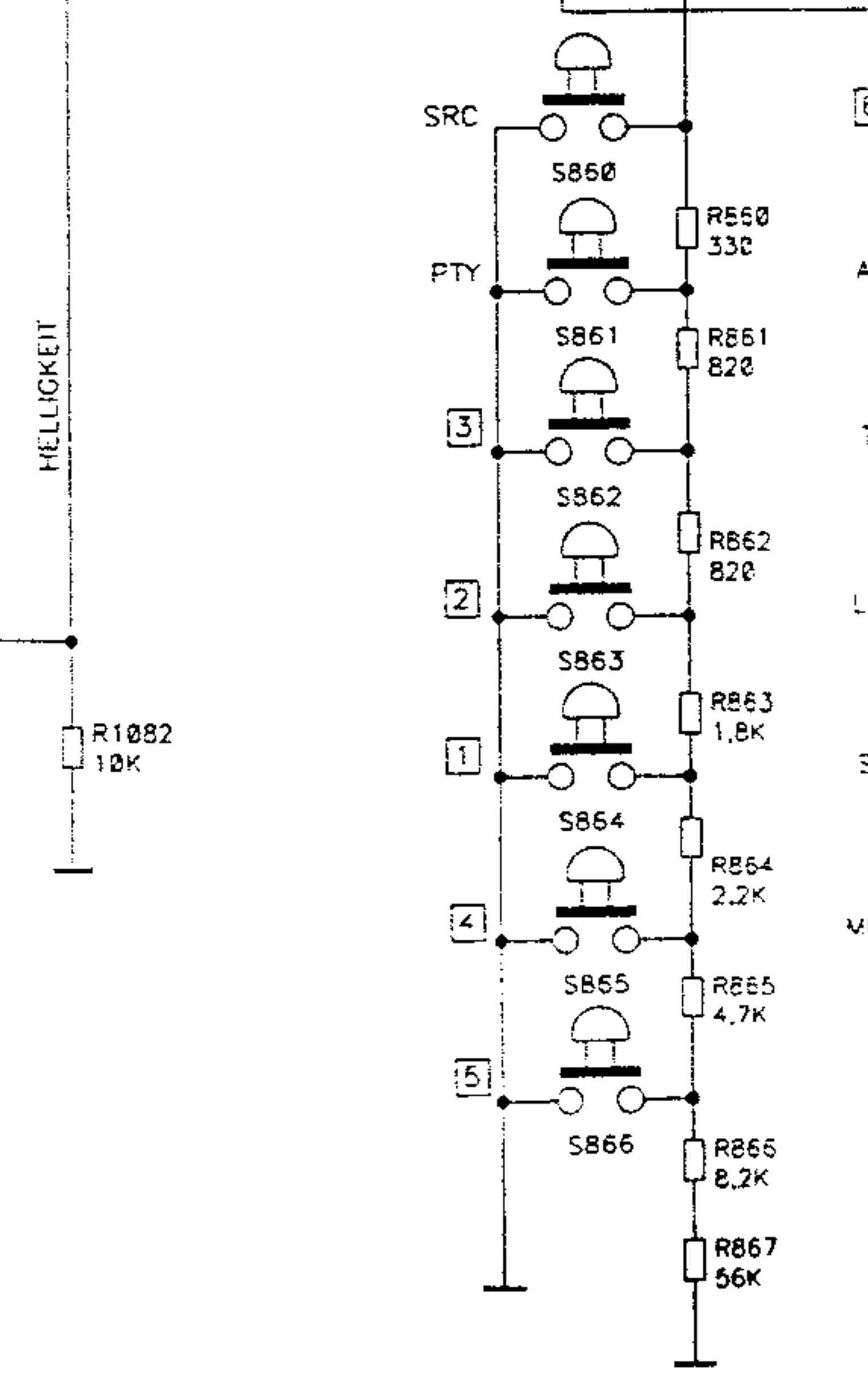
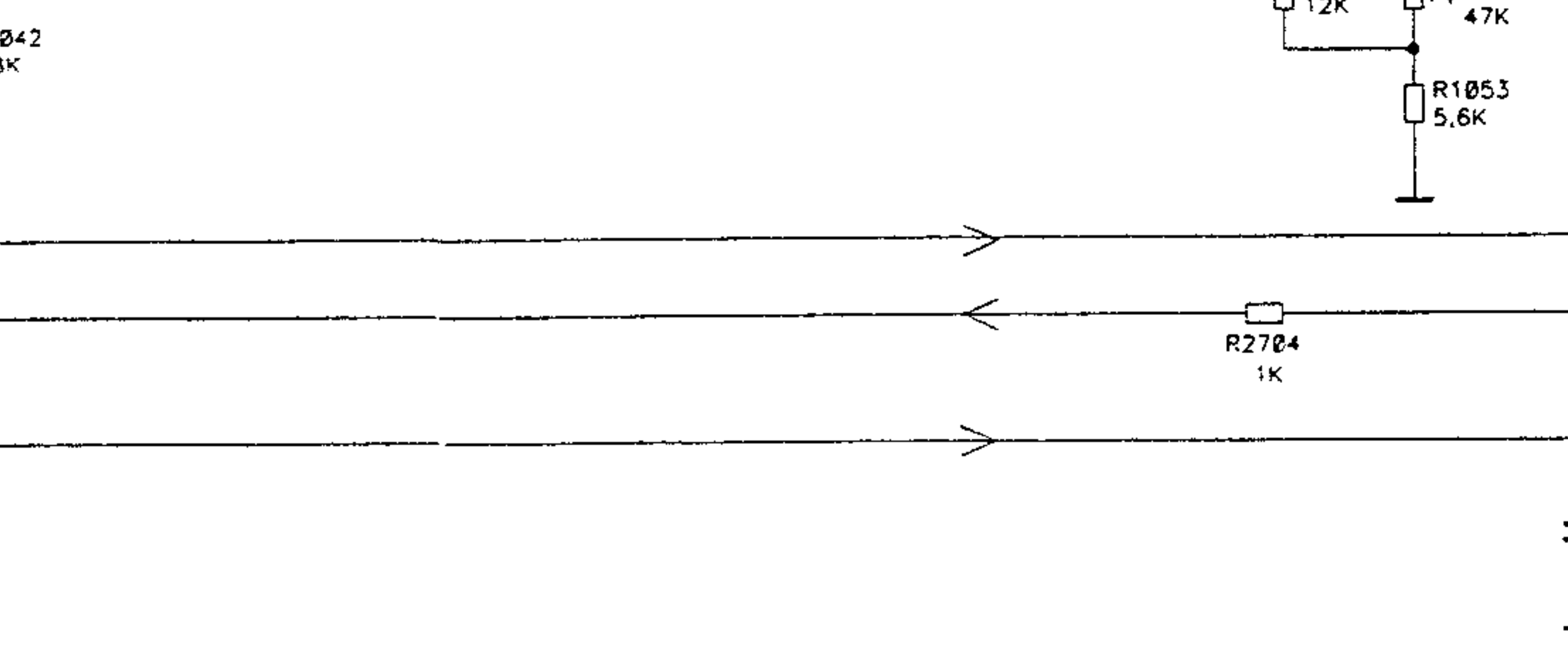
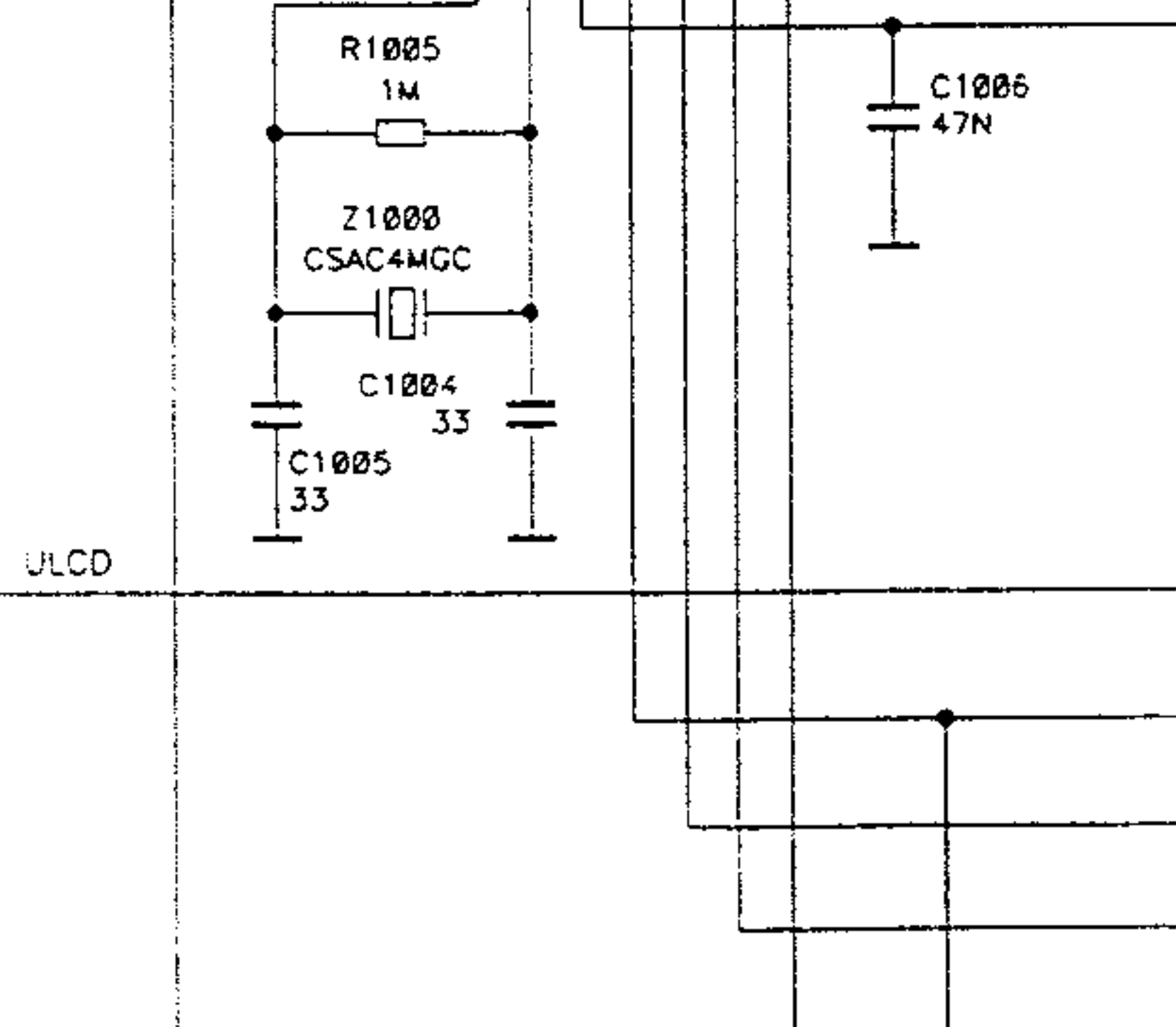
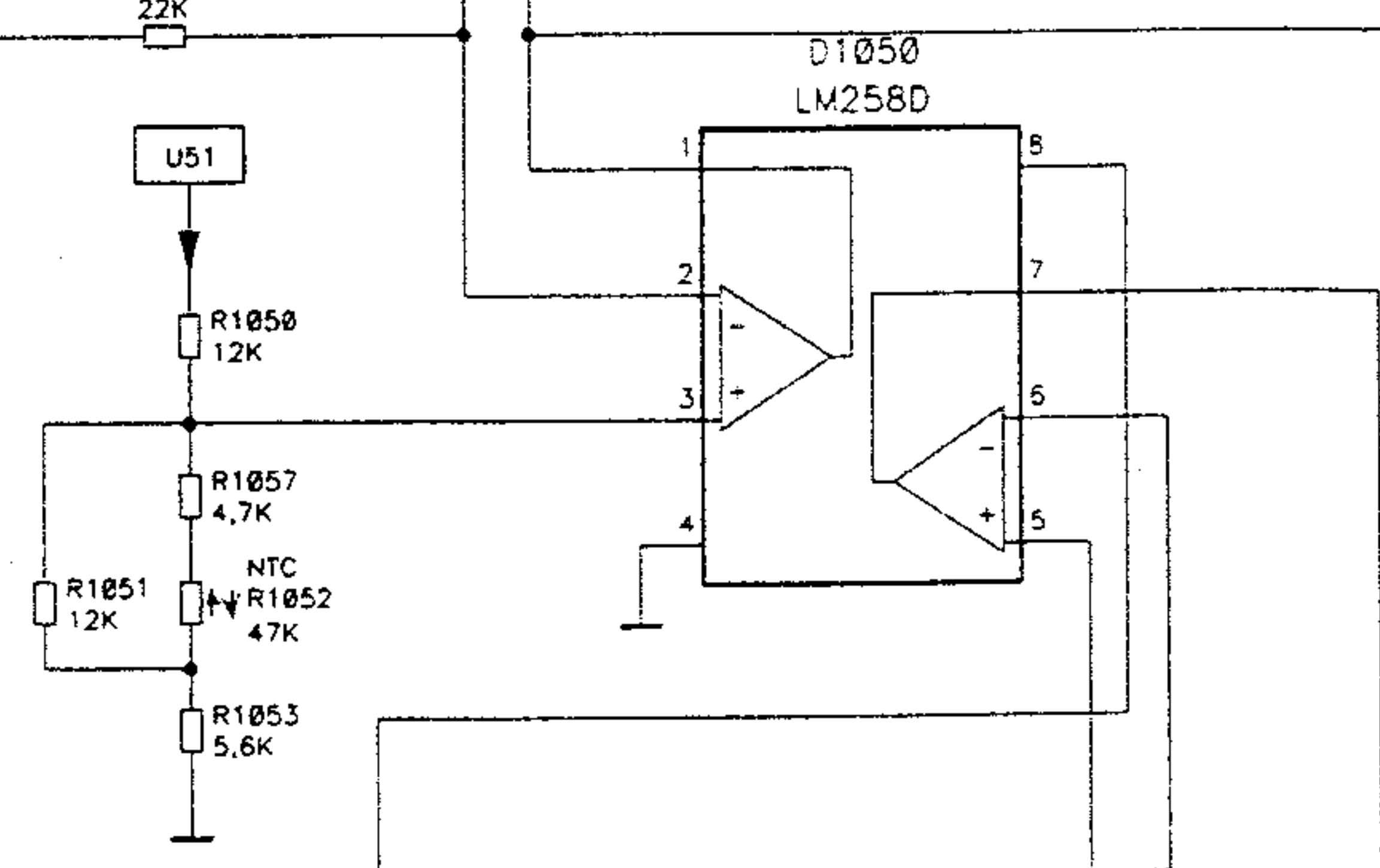
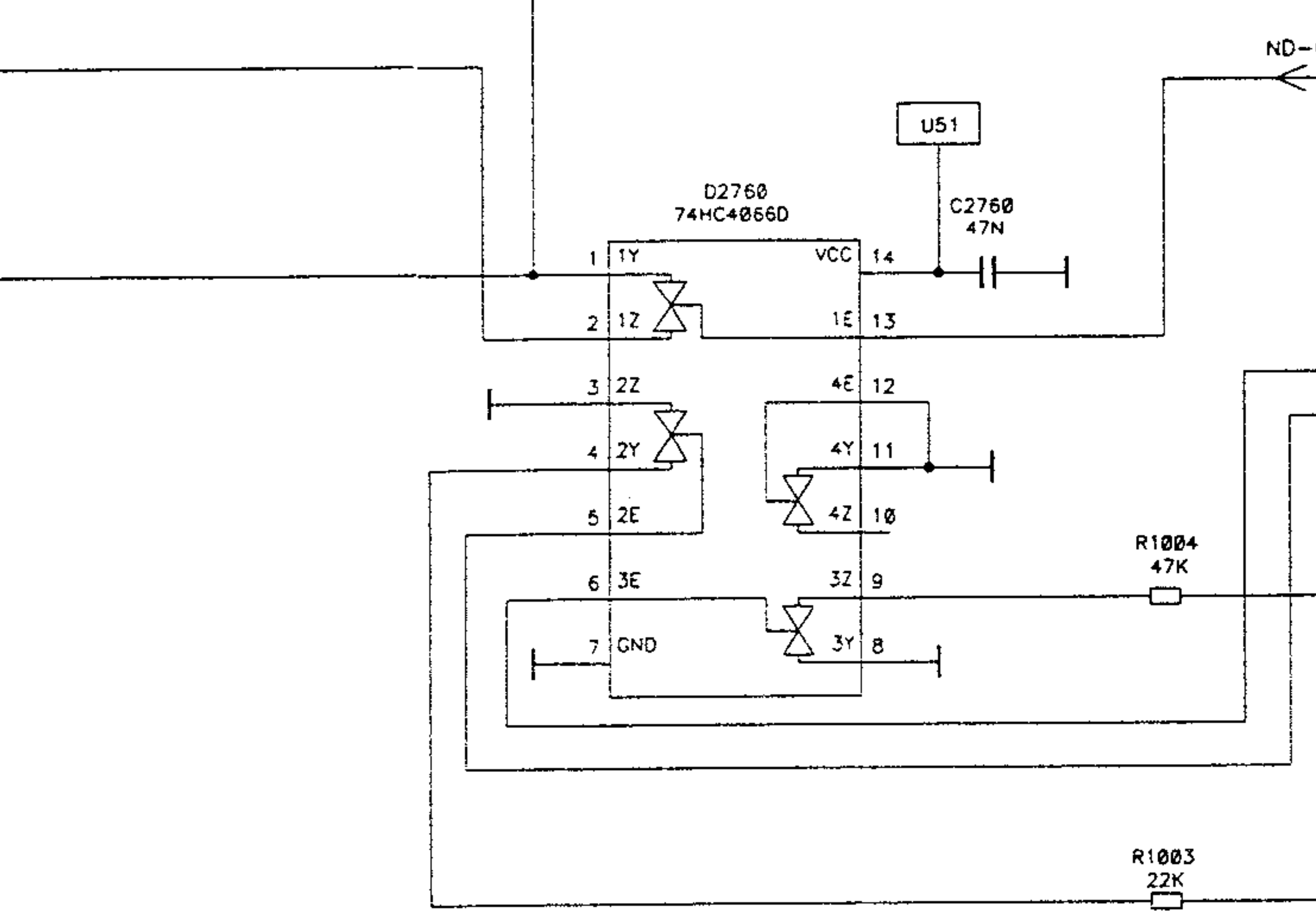
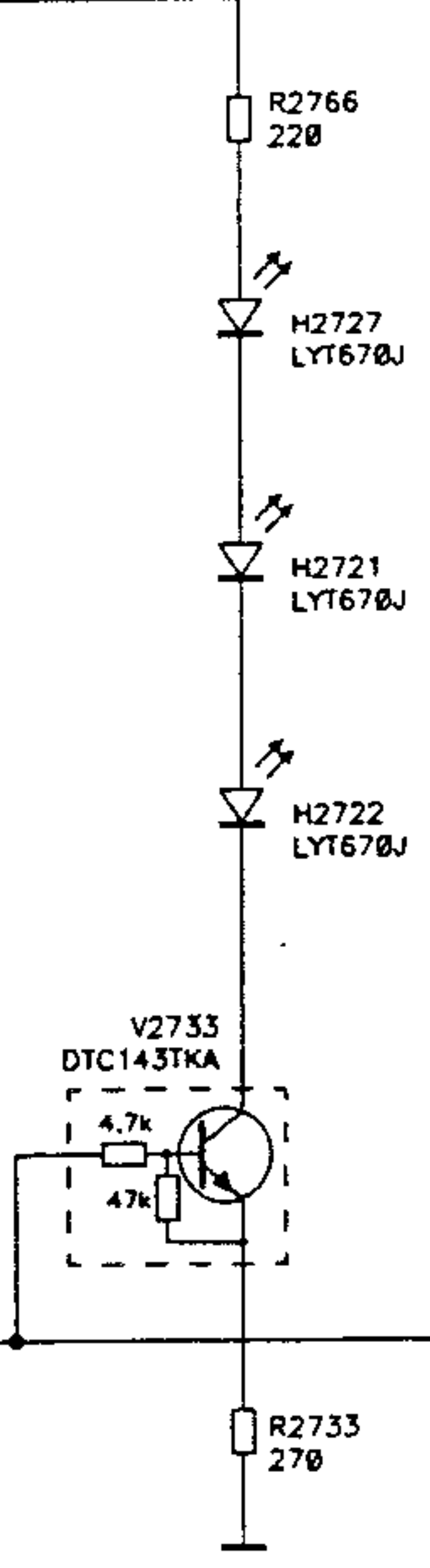
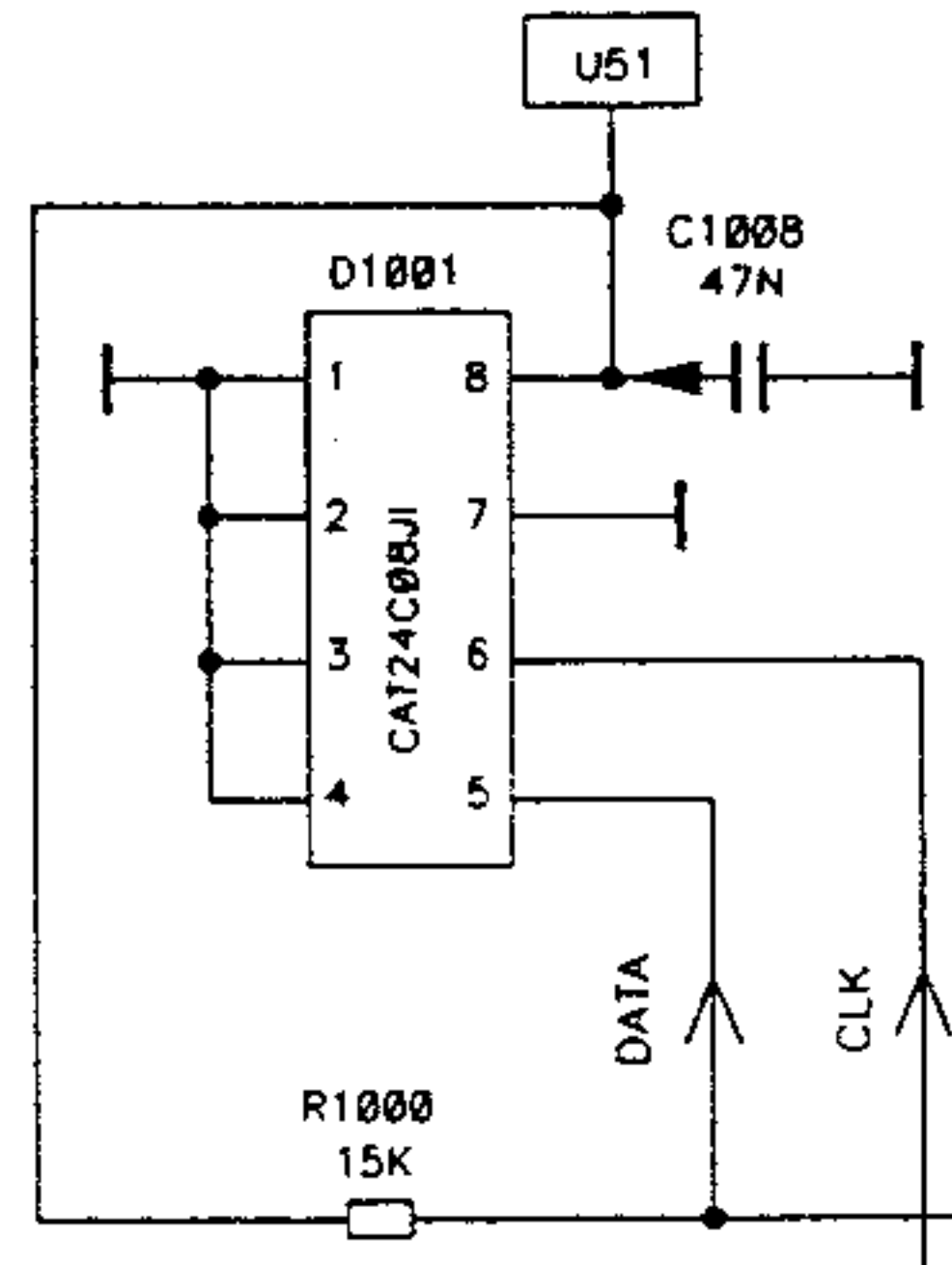


BELEUCHTUNG
COLOR





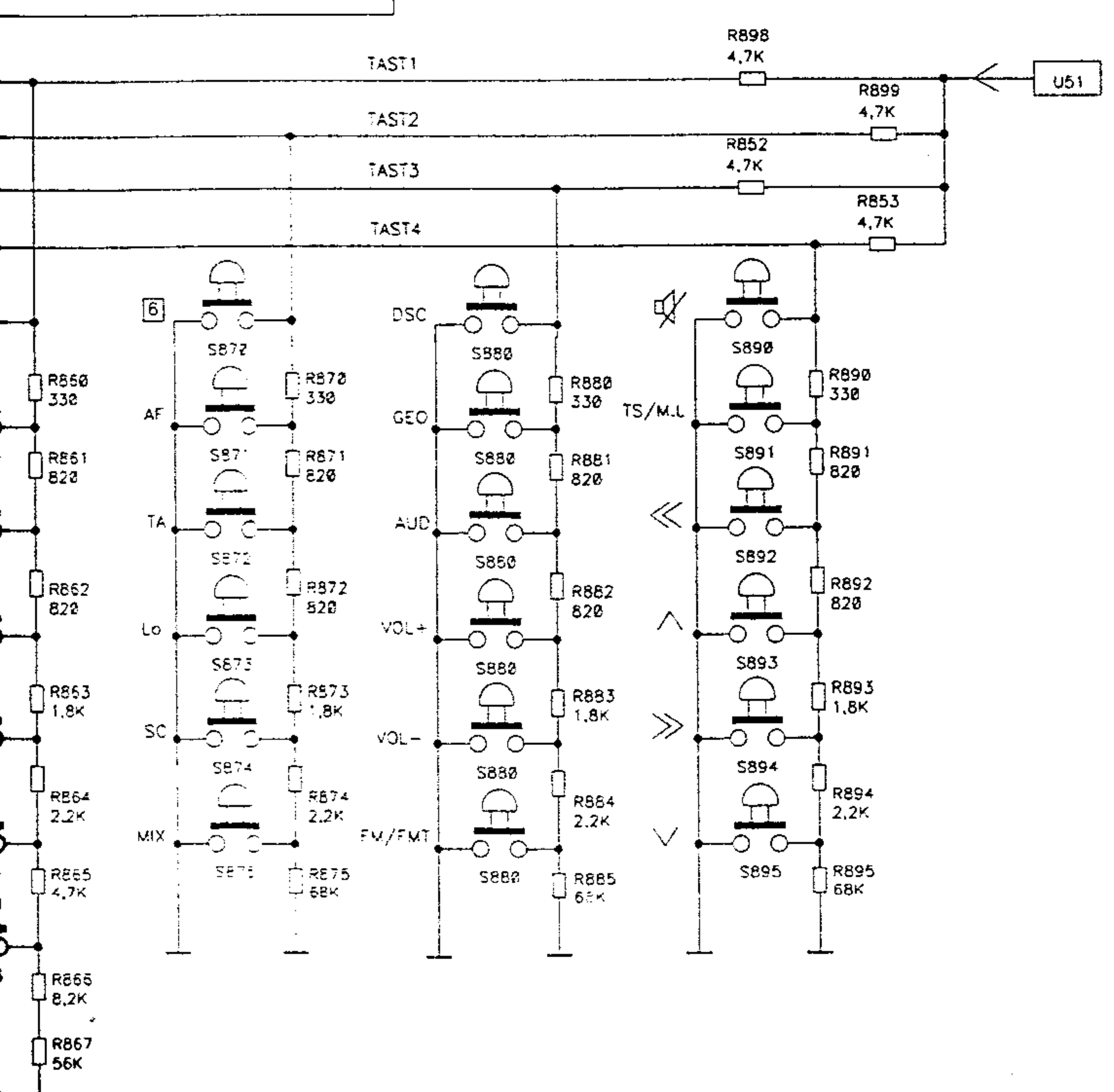
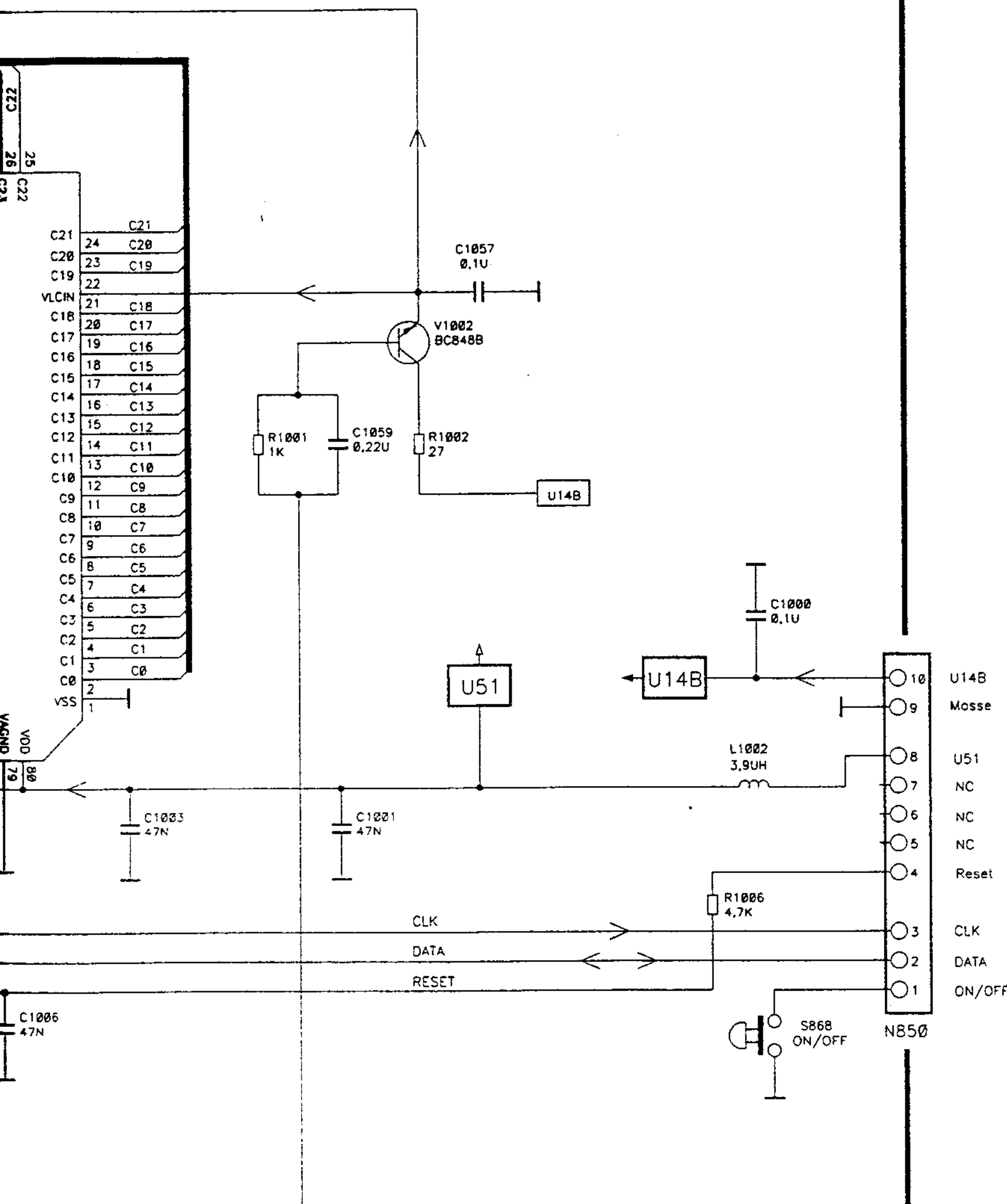
EEPROM



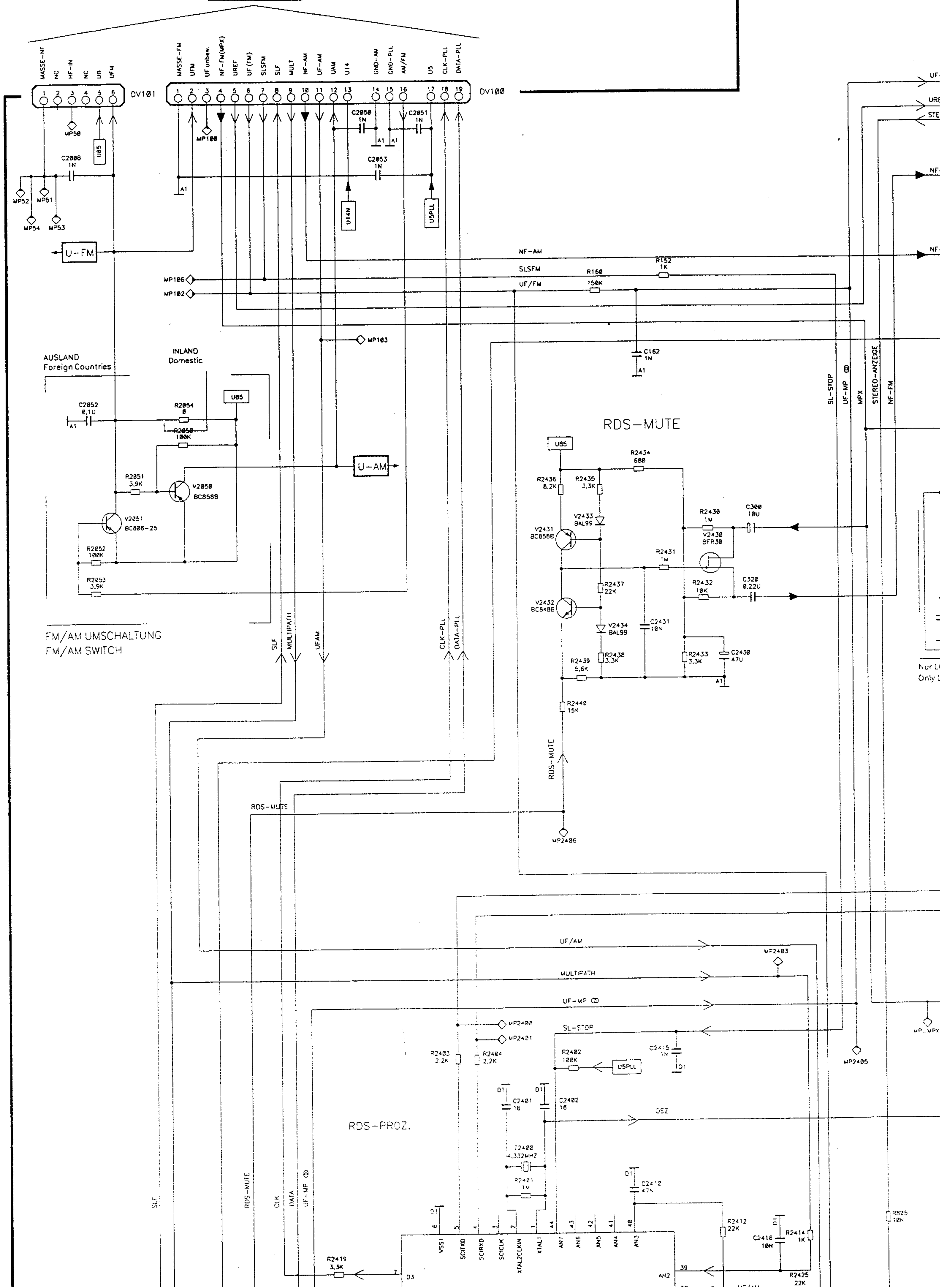
1042 .8K

LCD

| | | | | | | | | | | | |
|----|-----|----|-----|----|-----|----|-----|----|----|----|----|
| 22 | C22 | 28 | C27 | 34 | C34 | 40 | C39 | 46 | R0 | 52 | R5 |
| 23 | C23 | 29 | C28 | 35 | C35 | 41 | C40 | 47 | R1 | 53 | R6 |
| 24 | C24 | 30 | C29 | 36 | C36 | 42 | C41 | 48 | R2 | 54 | R7 |
| 25 | C25 | 31 | C30 | 37 | C37 | 43 | C42 | 49 | R3 | | |
| 26 | C26 | 32 | C31 | 38 | C38 | 44 | C43 | 50 | R4 | | |
| 27 | | 33 | C32 | 39 | C39 | 45 | C44 | 51 | R5 | | |



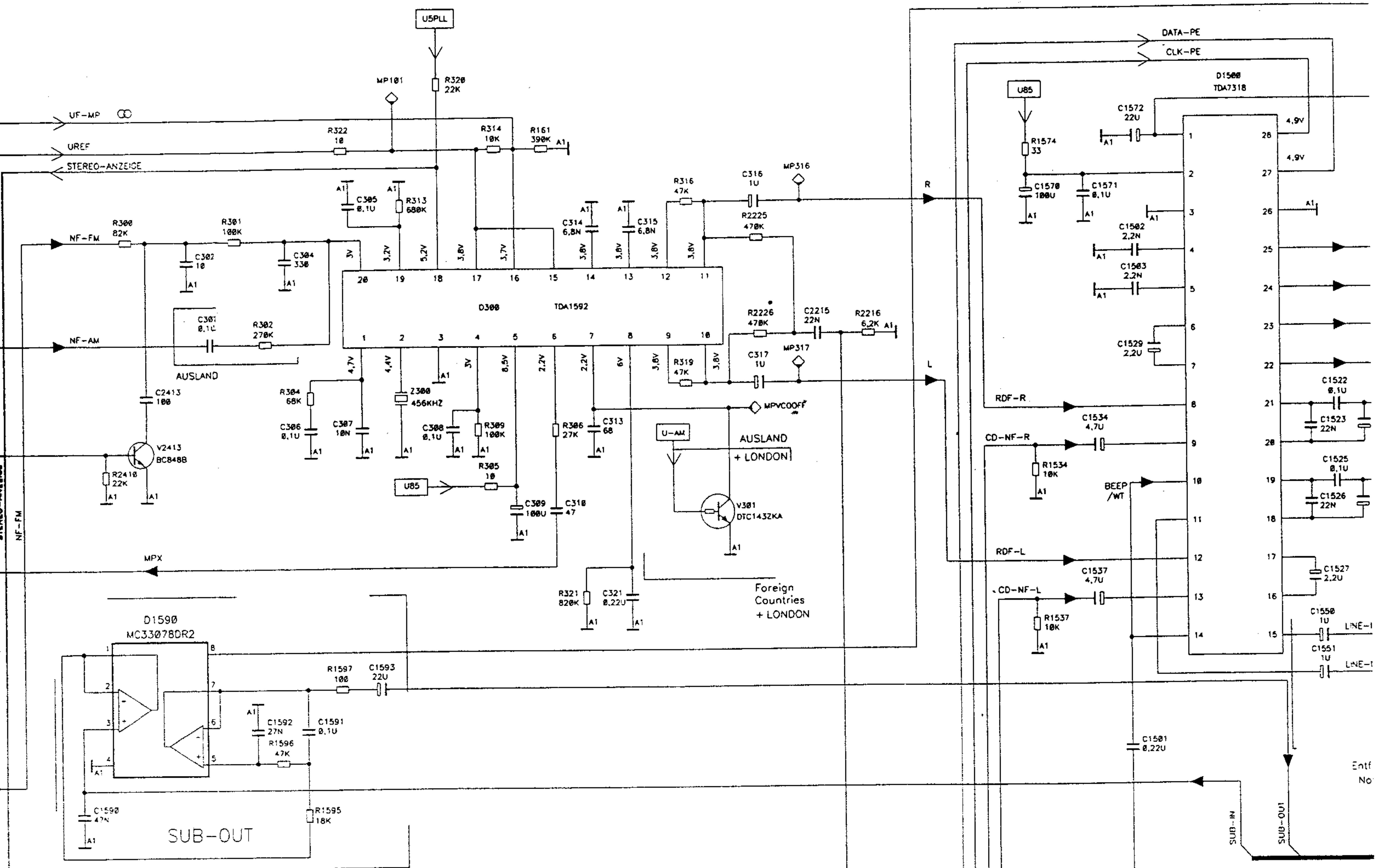
HF-MODUL



Nur LÖT
Only LÖT

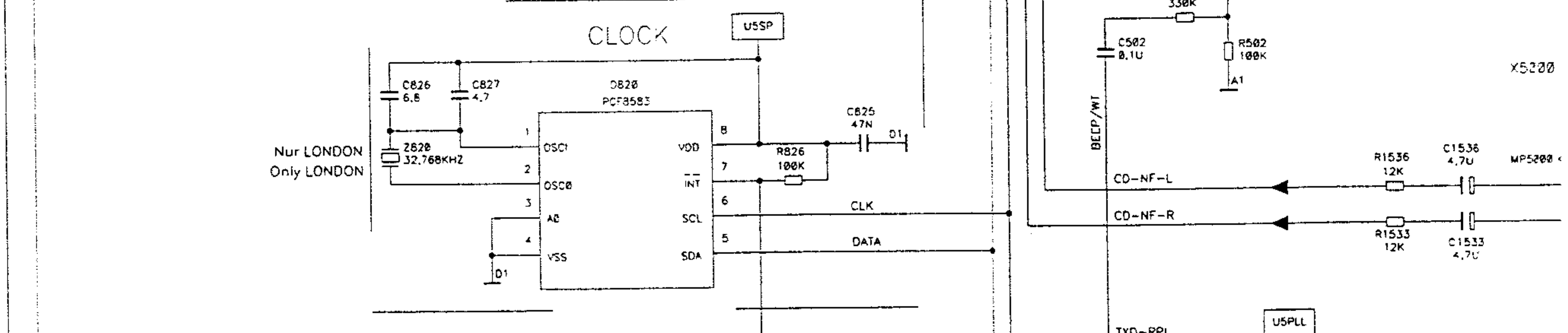
ASU/STEREO

NF-STELLER
AF-CONTROLLER

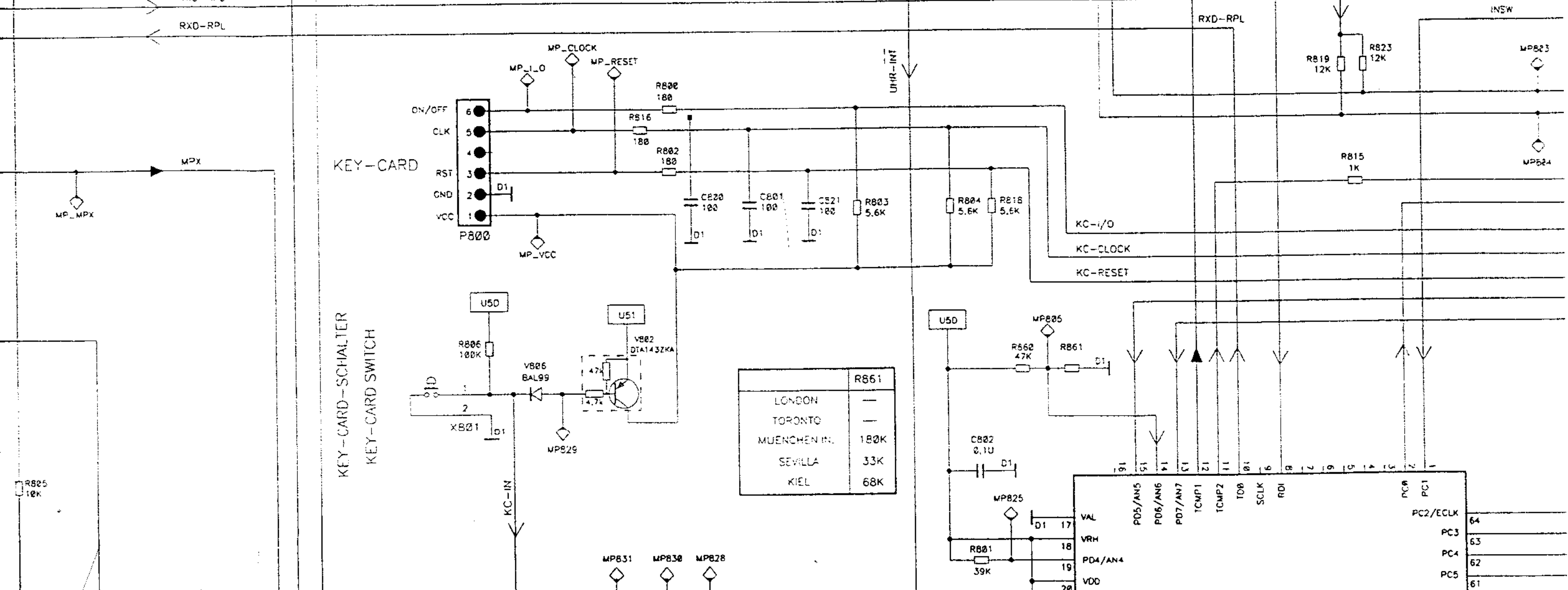


Nur LONDON
Only LONDON

TIM-NF-EIN
NF-SP



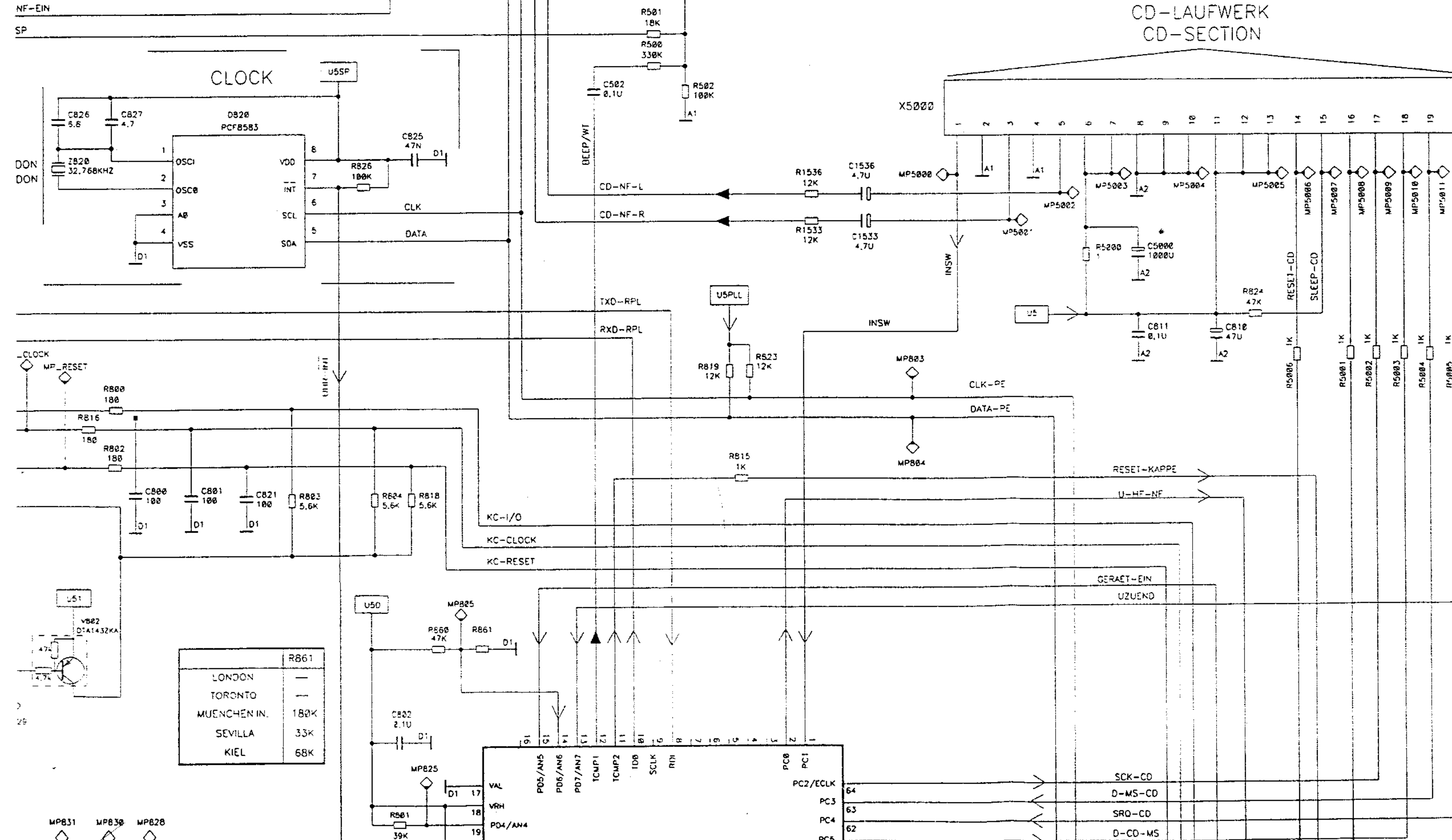
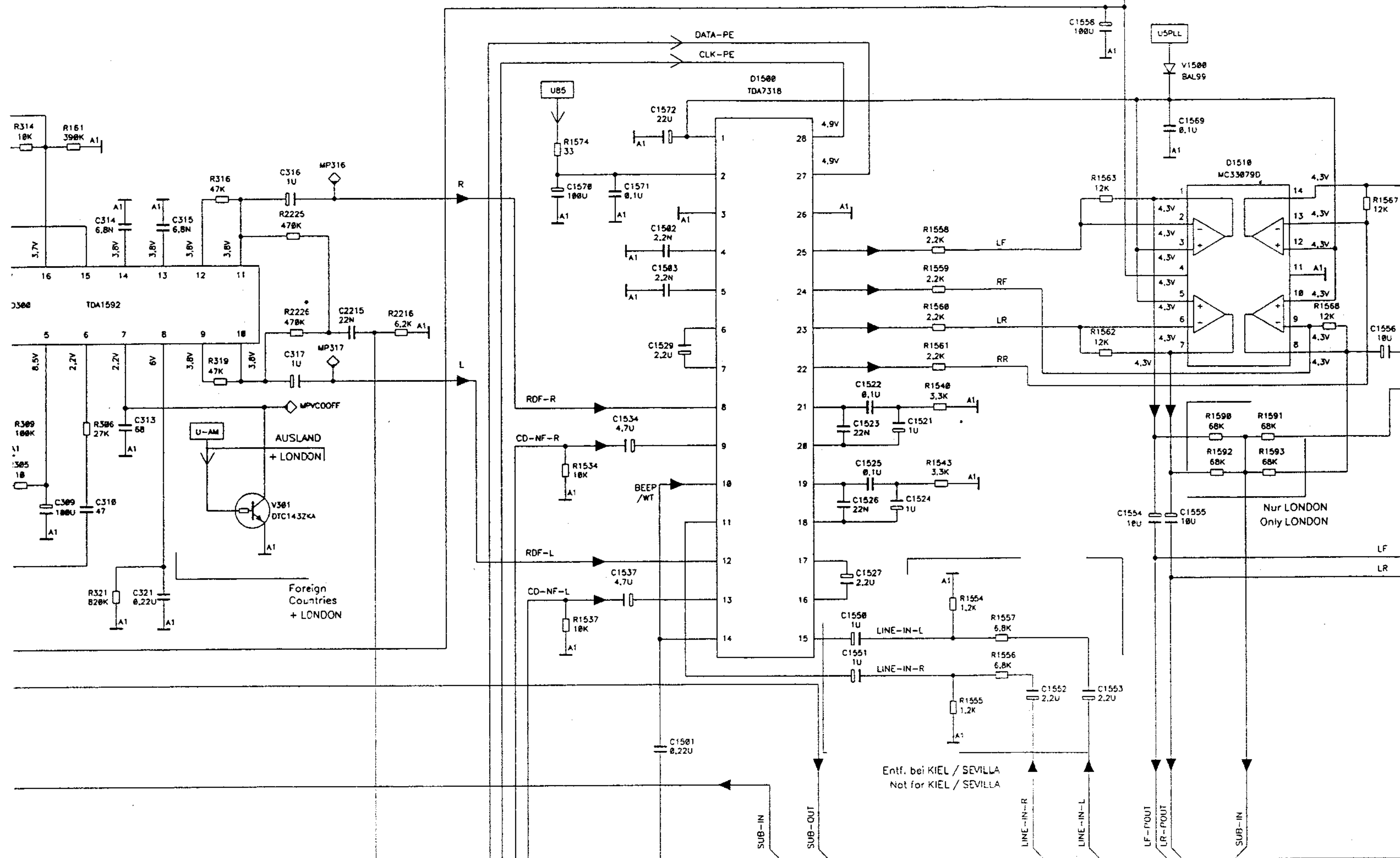
Nur LONDON
Only LONDON



ASU/STEREO

NF-STELLER
AF-CONTROLLER

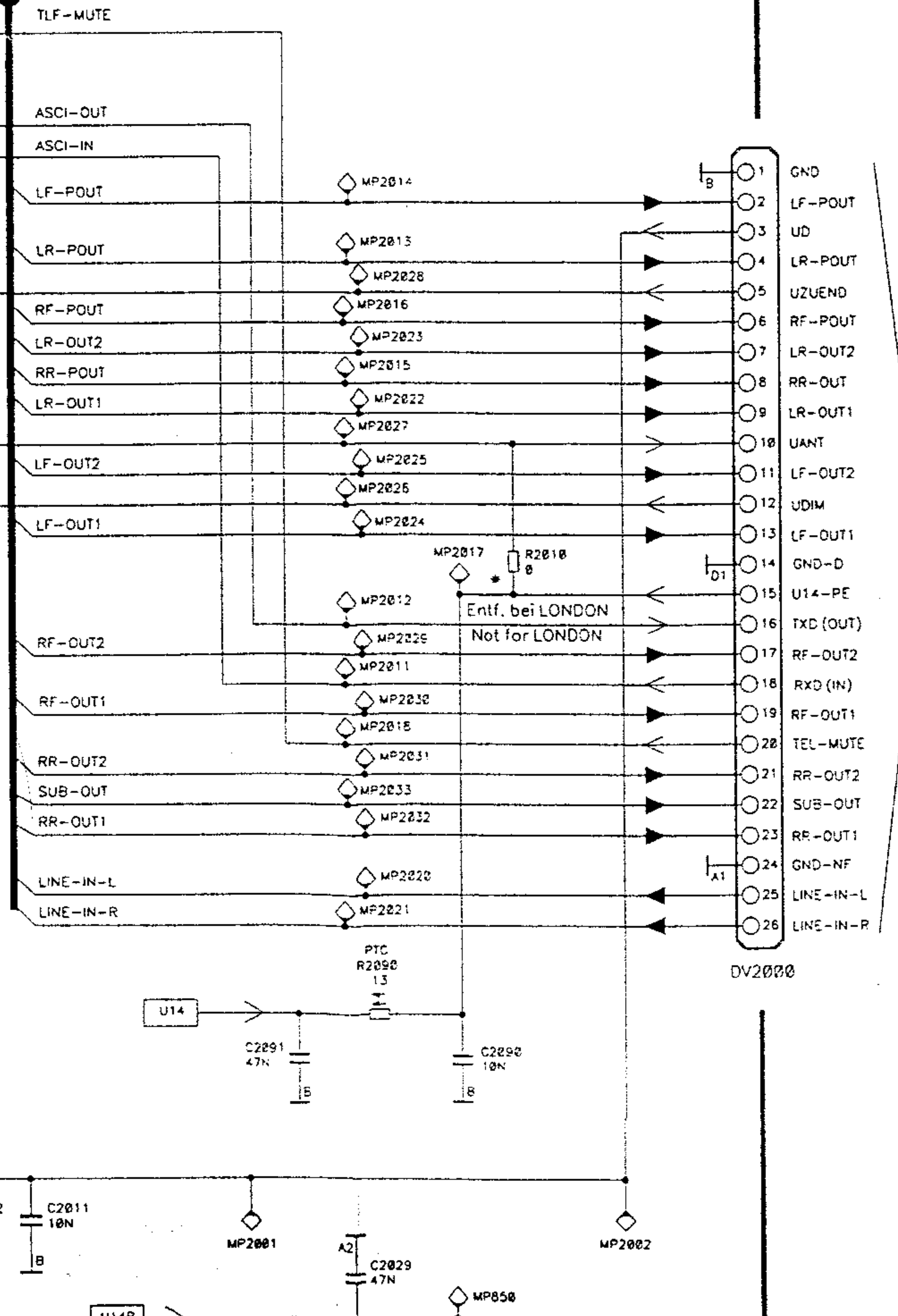
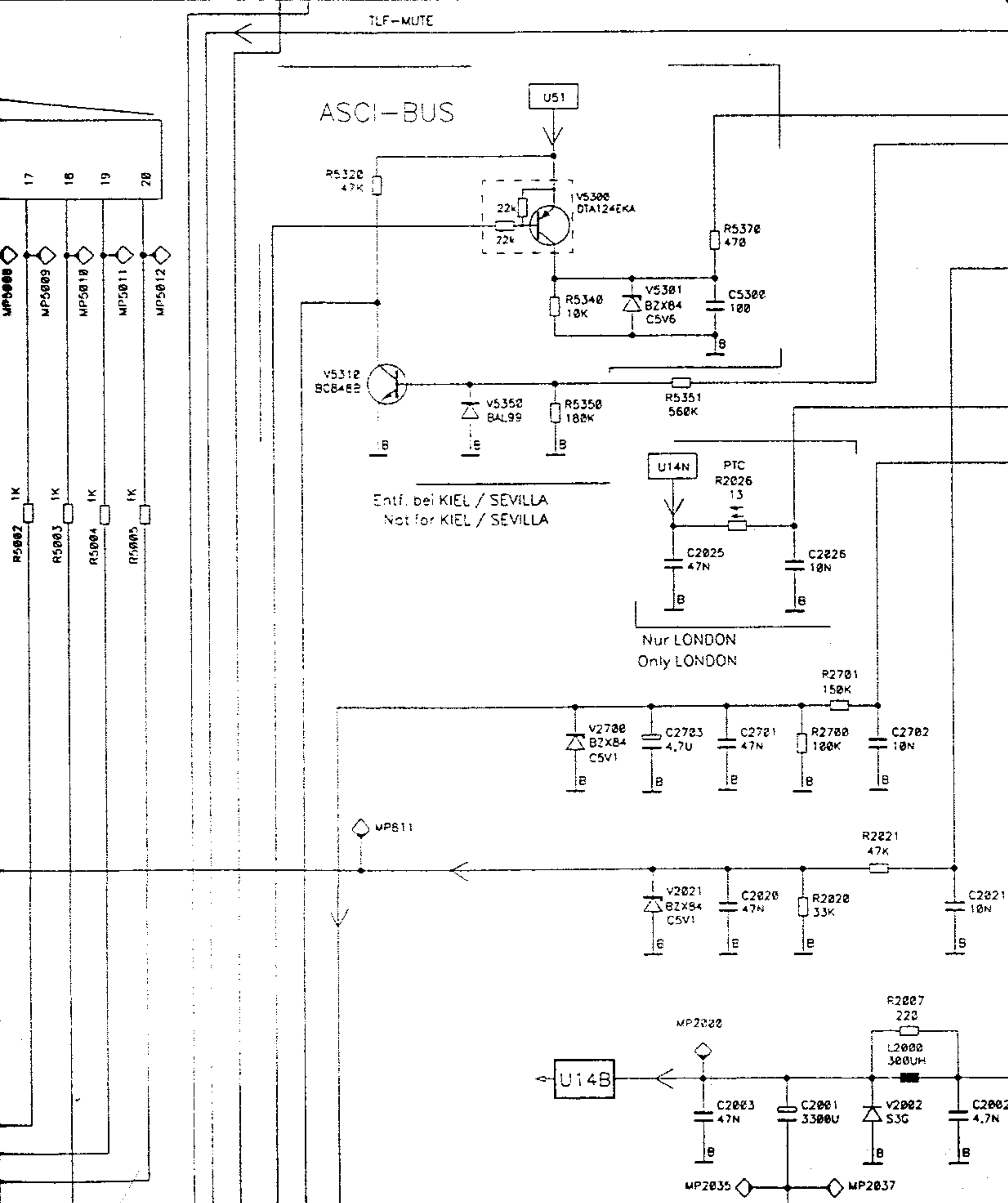
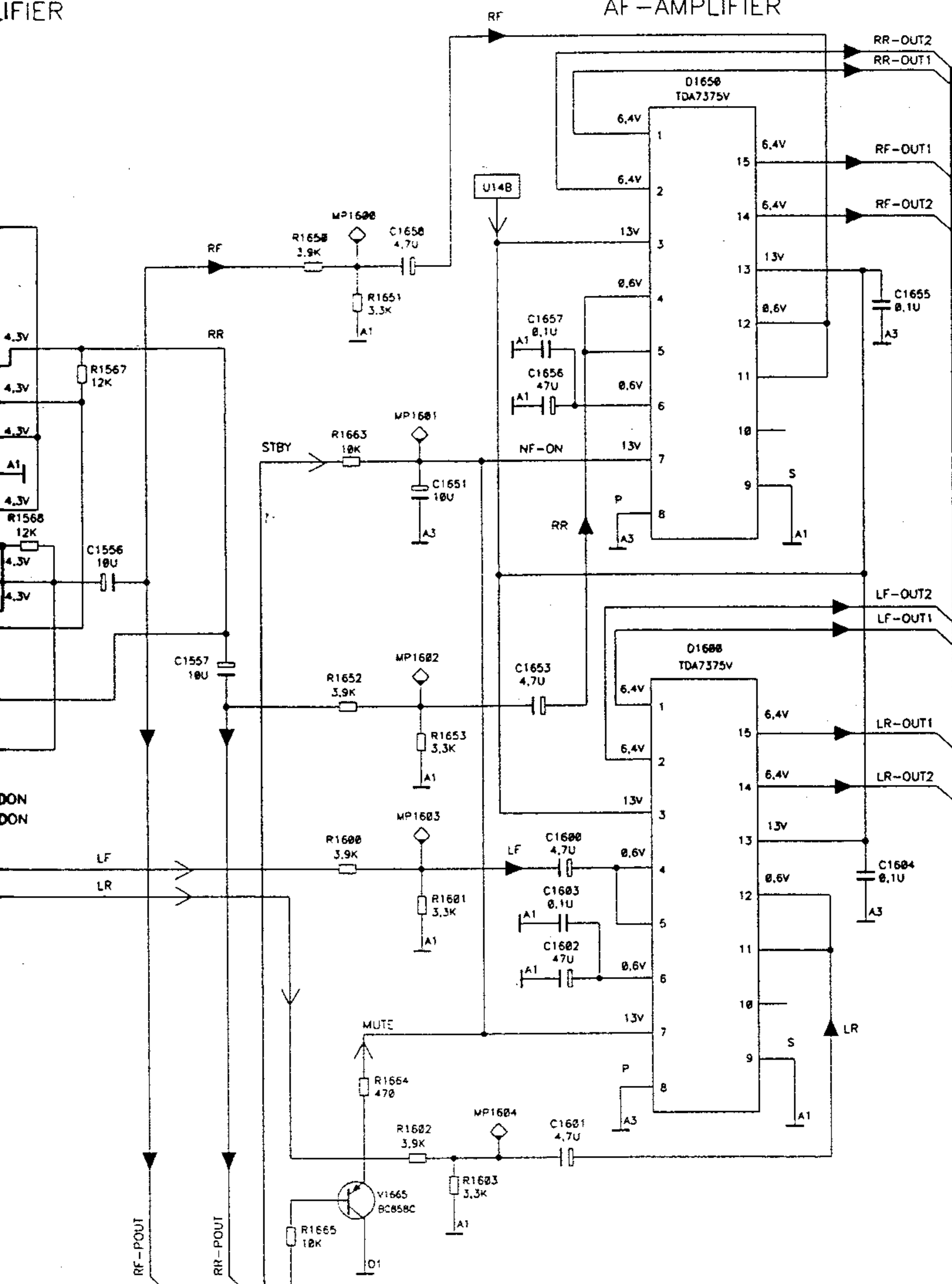
NF-VORVERSTAERKER
AF-PREAMPLIFIER



| | R861 |
|--------------|------|
| LONDON | — |
| TORONTO | — |
| MUENCHEN IN. | 180K |
| SEVILLA | 33K |
| KIEL | 68K |

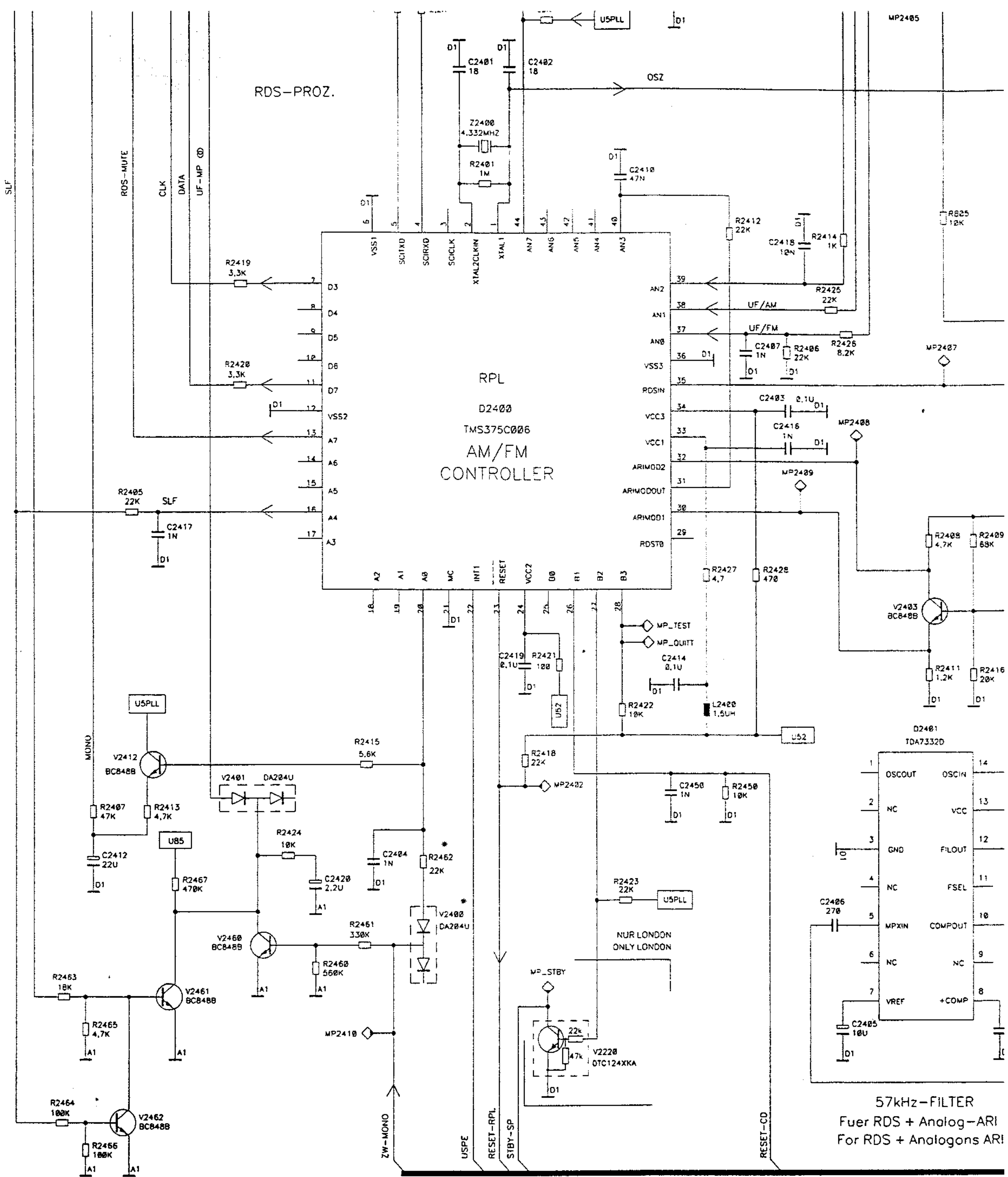
TAERKER
IFIER

NF-VERSTAERKER AF-AMPLIFIER

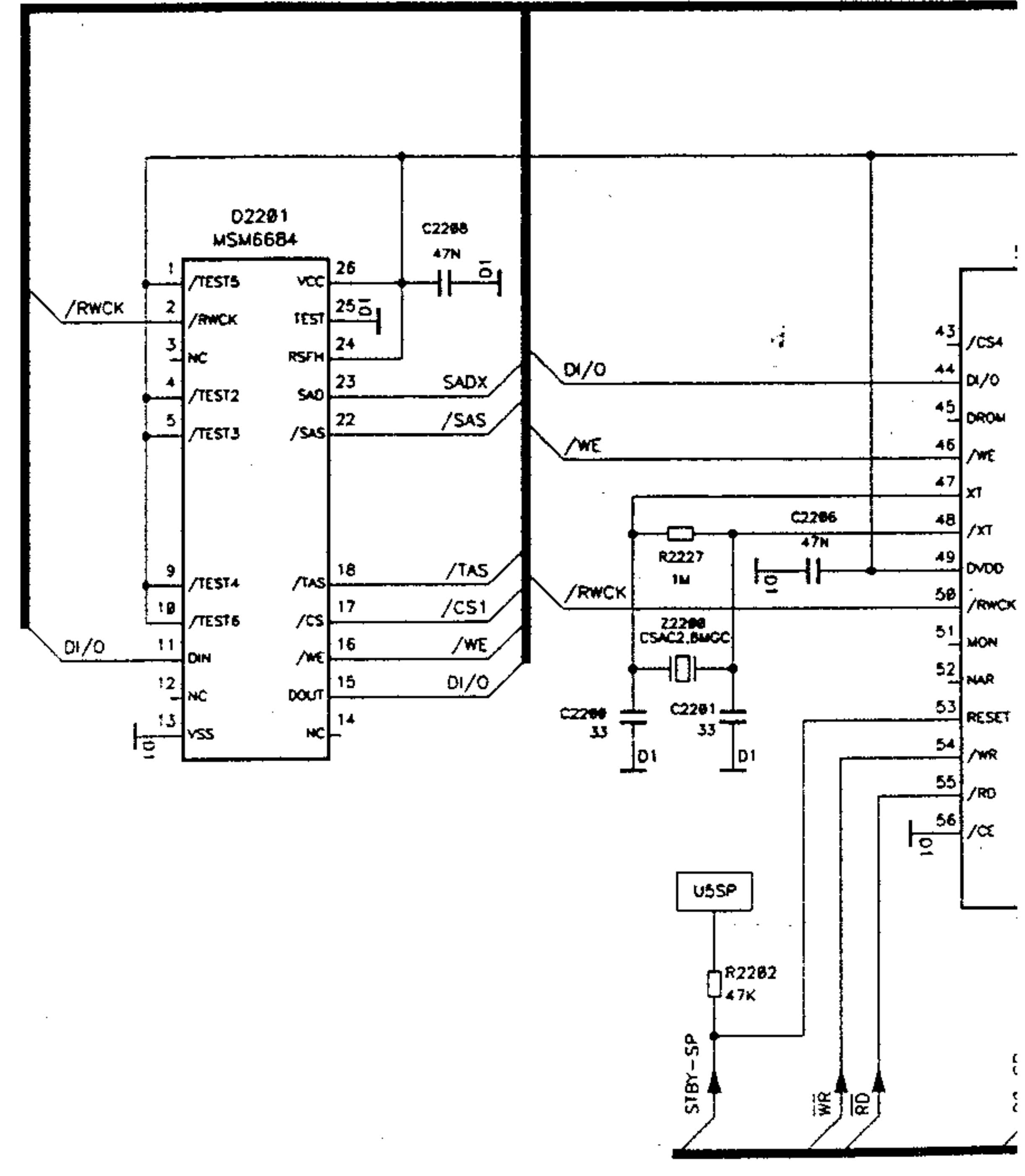


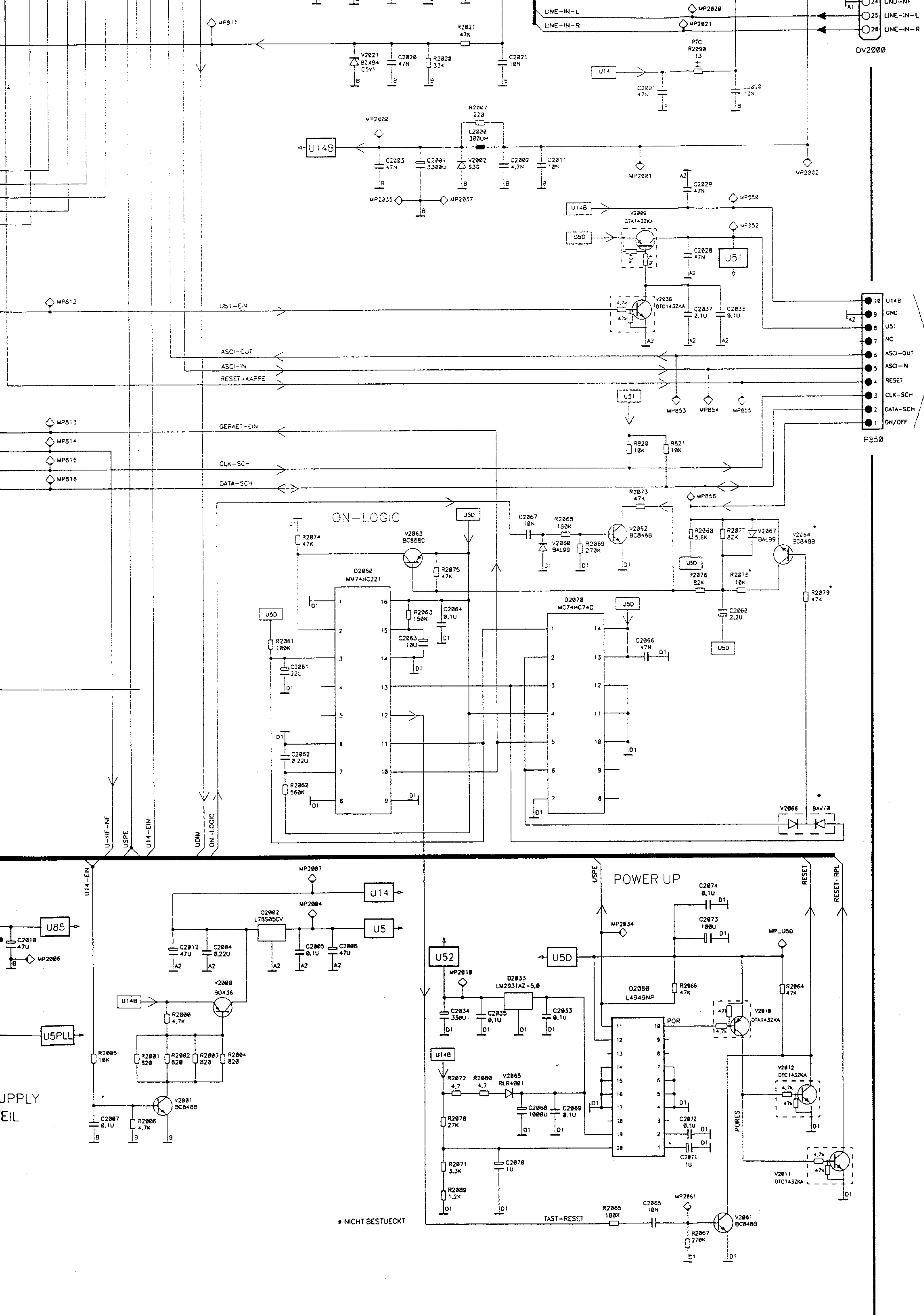
Anschlusskasten / Connector board

DV2000



57kHz-FILTER
Fuer RDS + Analog-ARI
For RDS + Analogons ARI





Schalterplatte / Switch board

* NICHT BESTUECKT