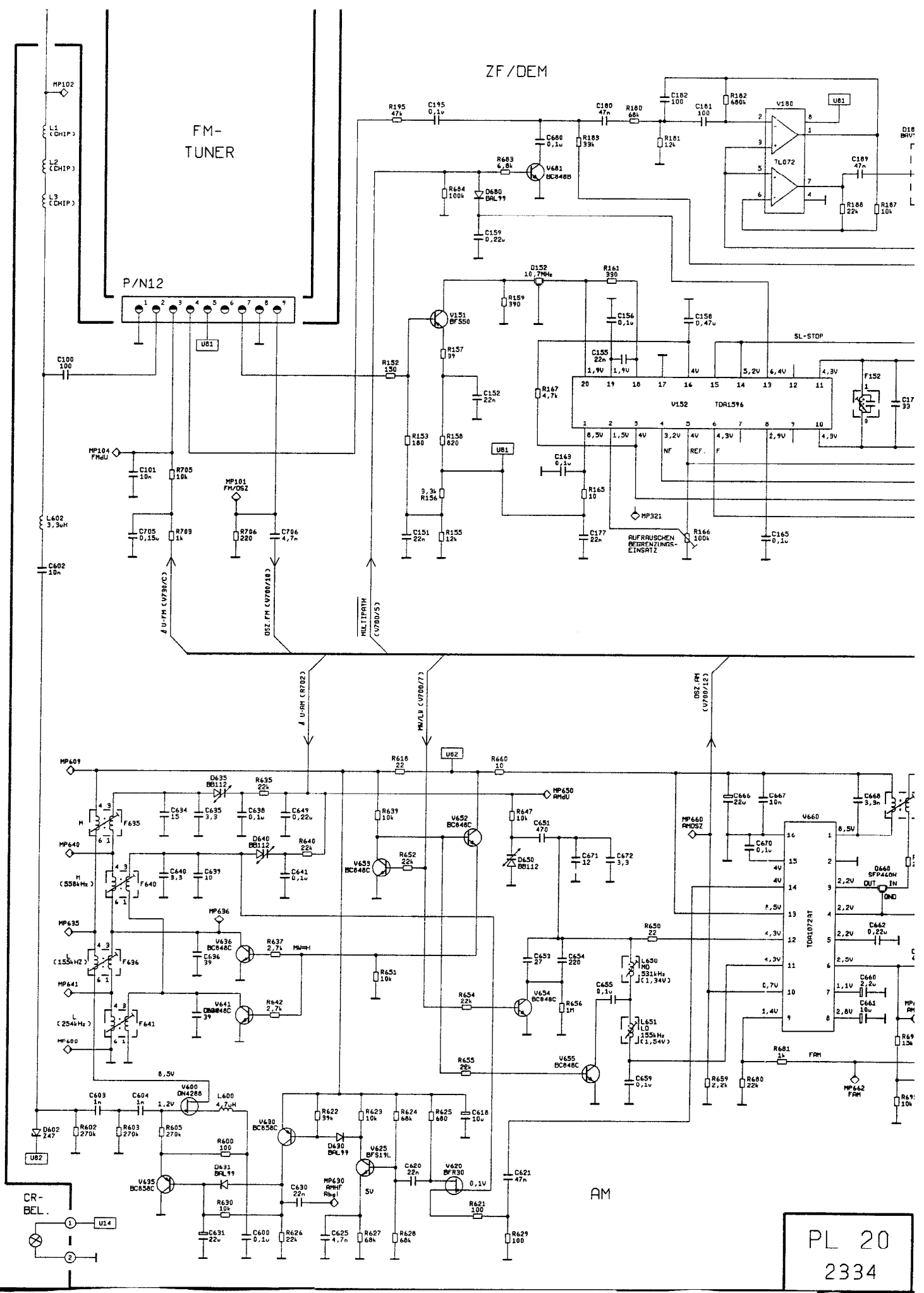
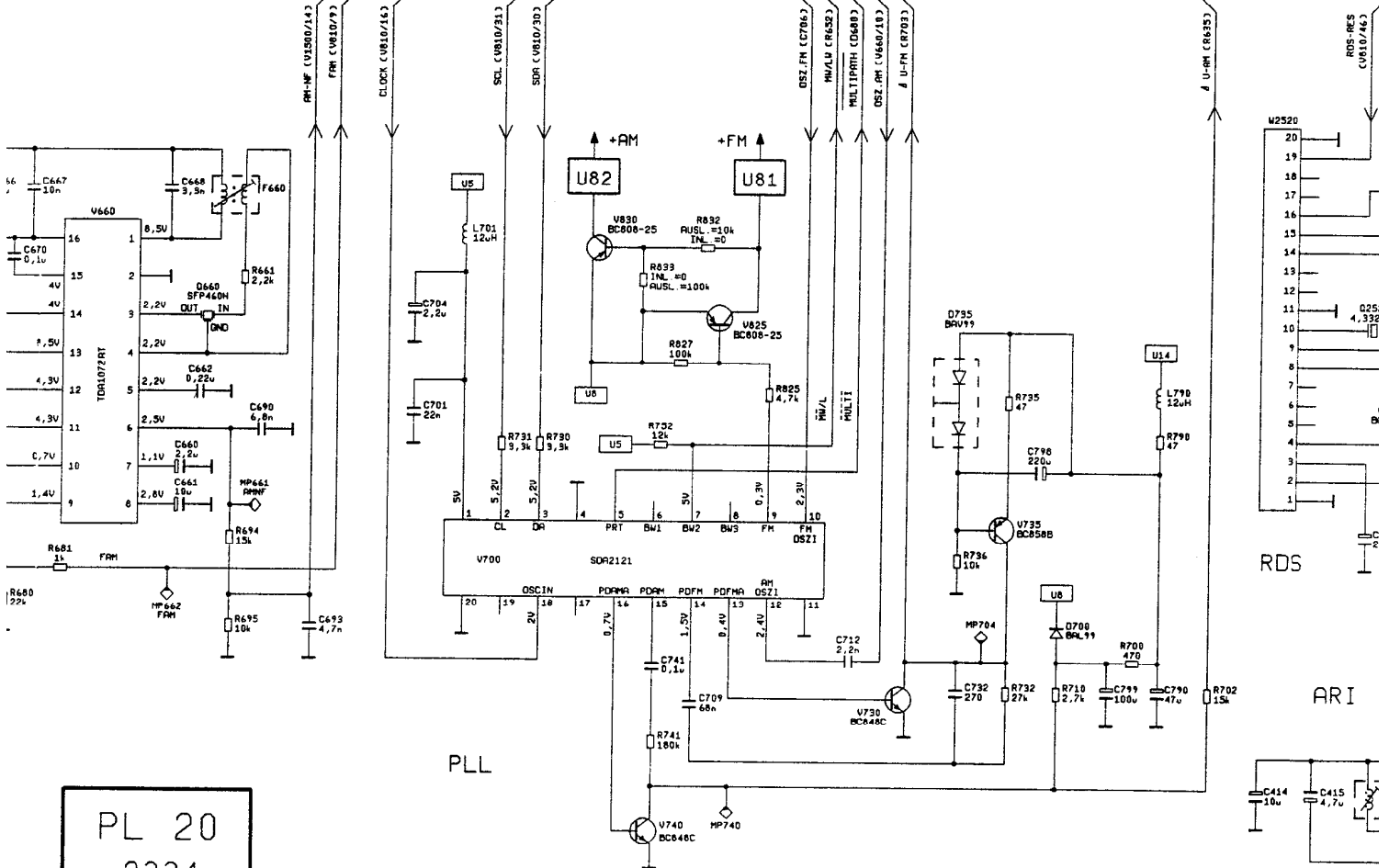
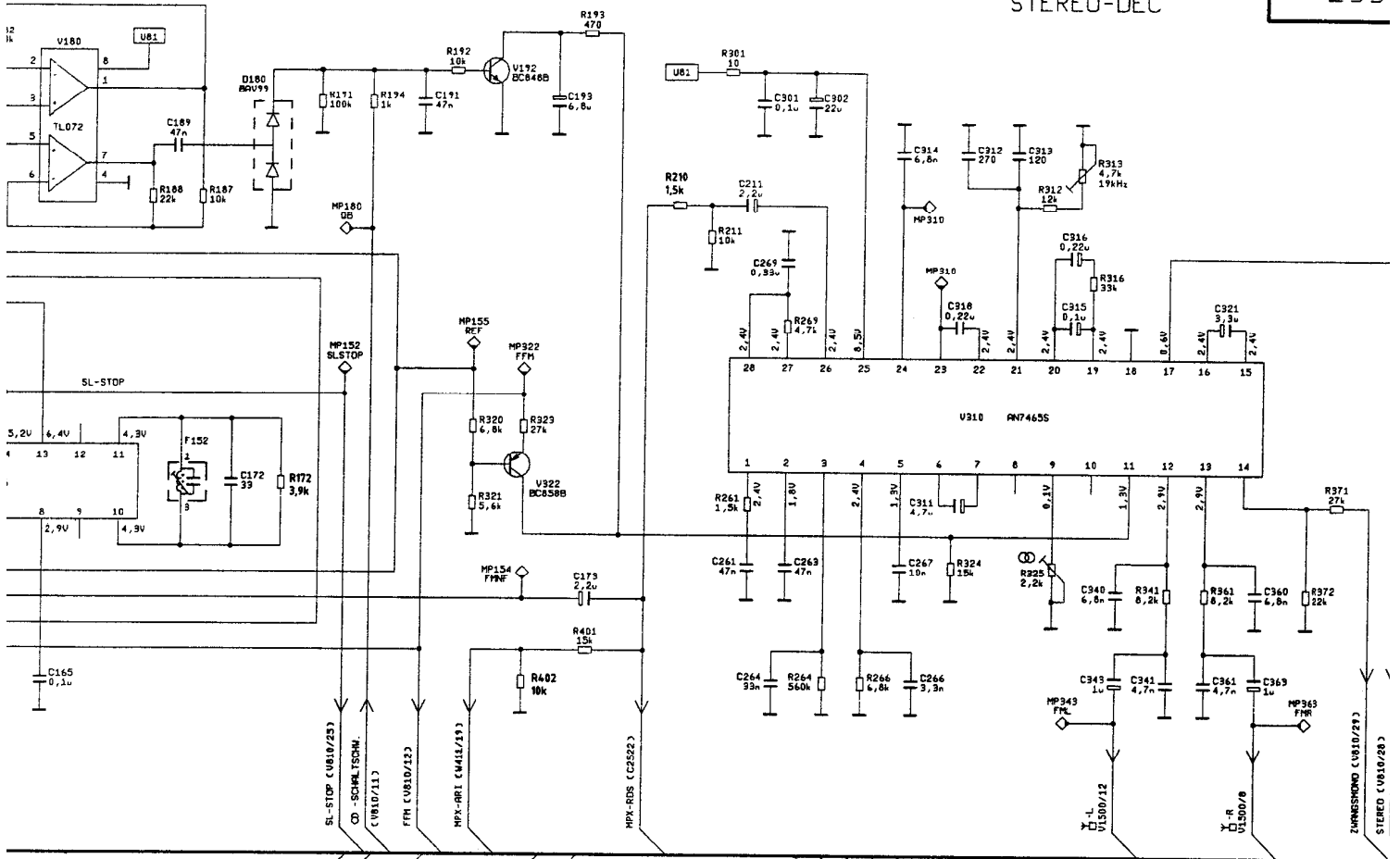


ZF/DEM

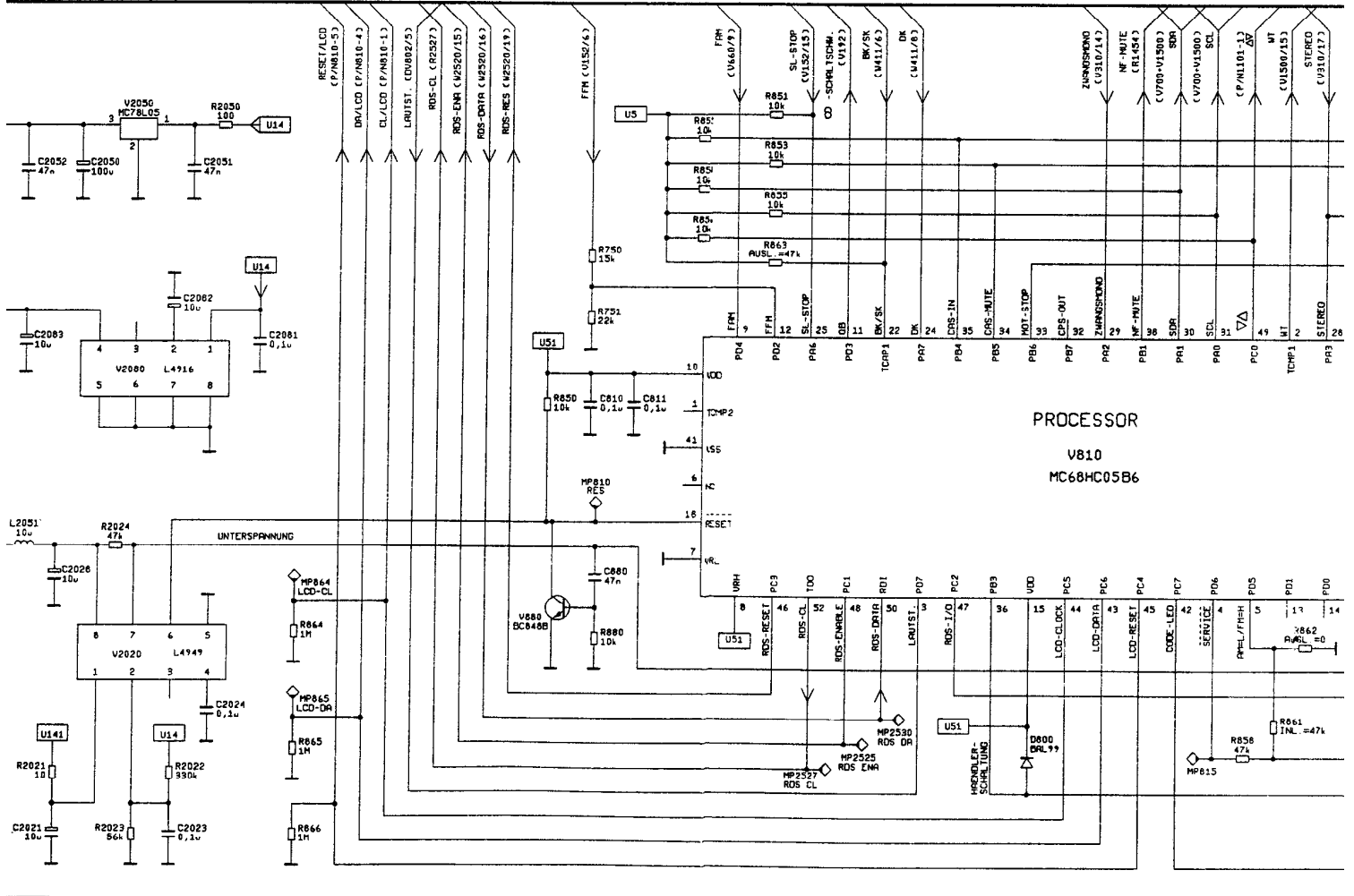
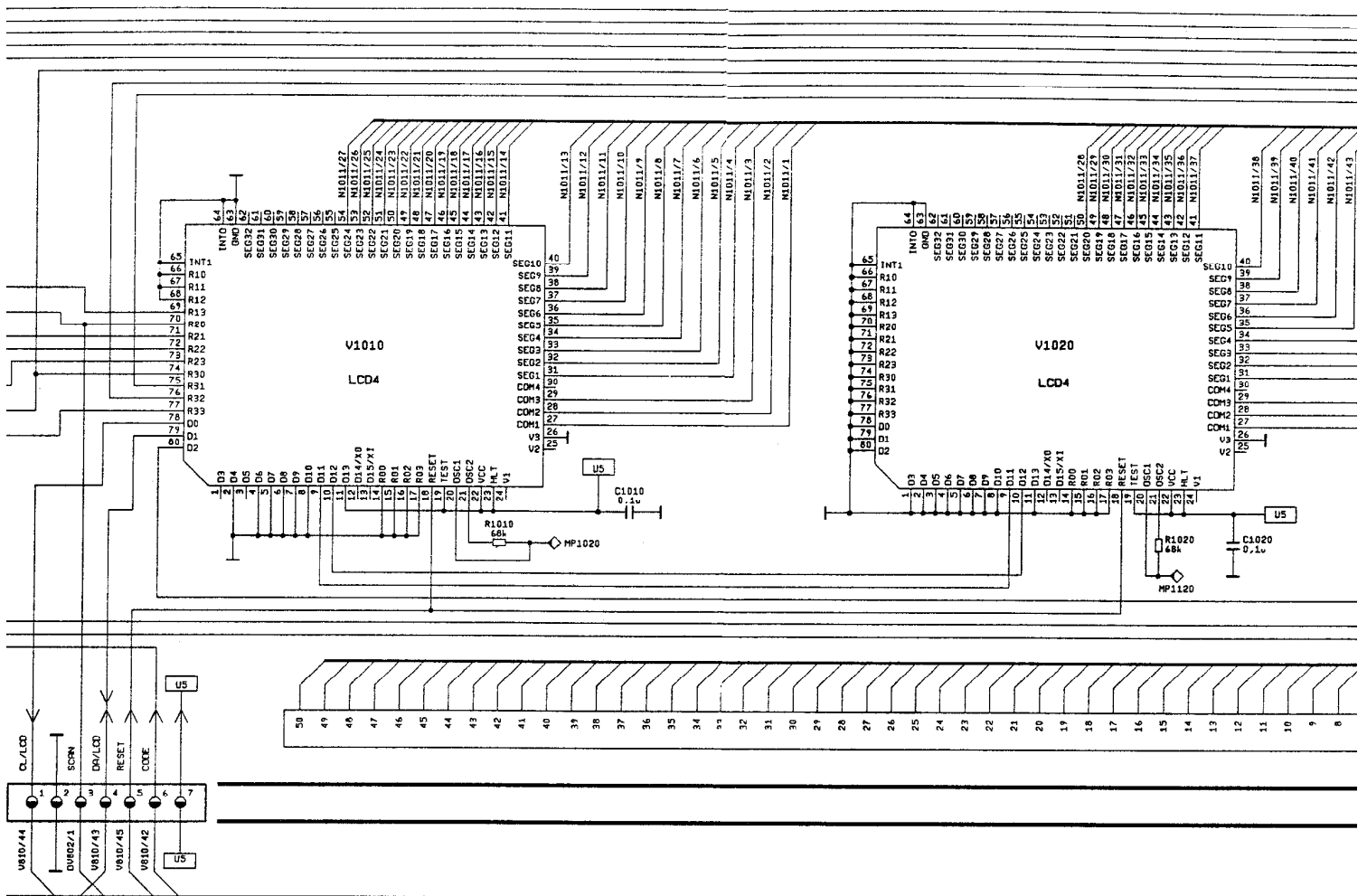
FM-TUNER

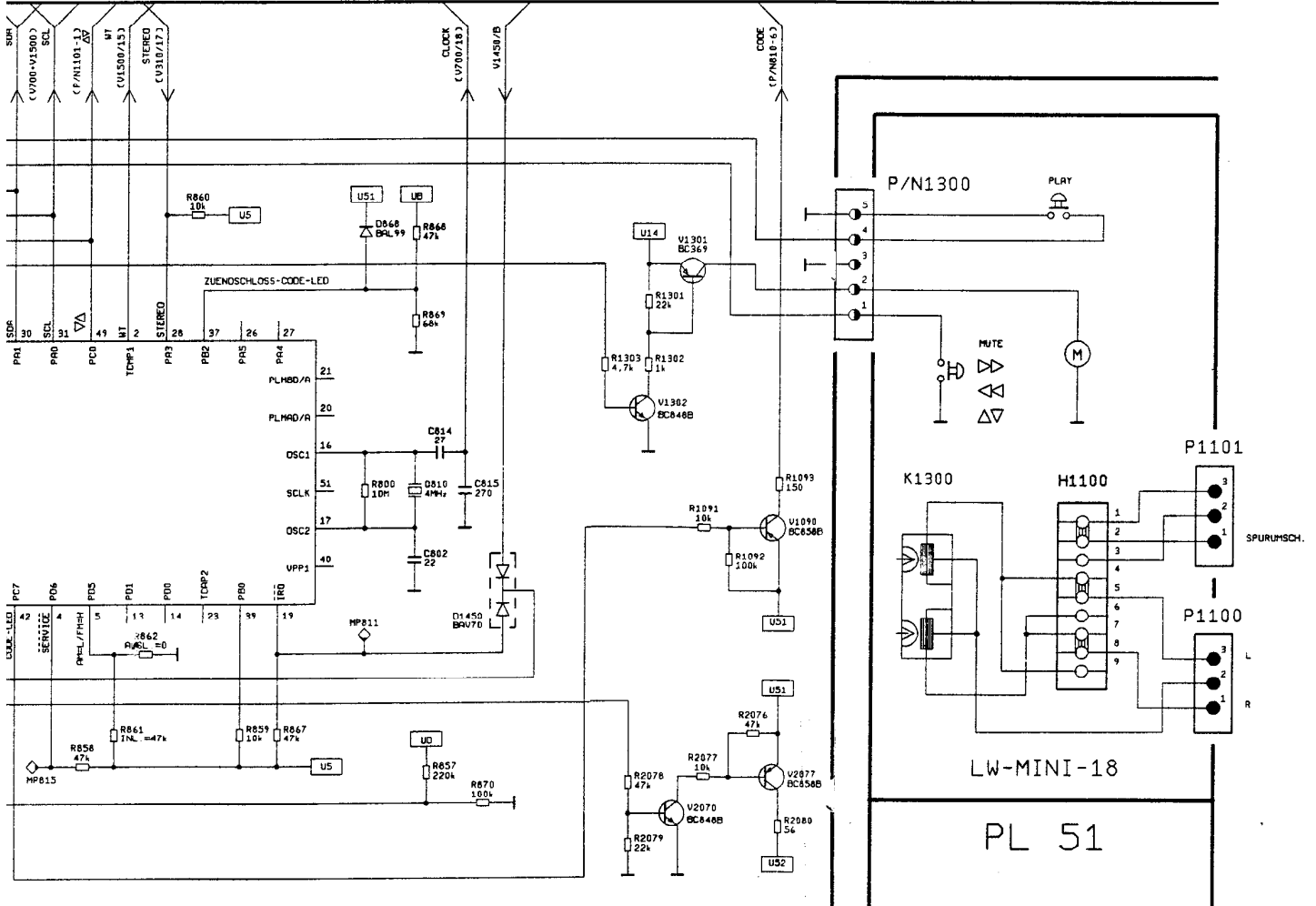
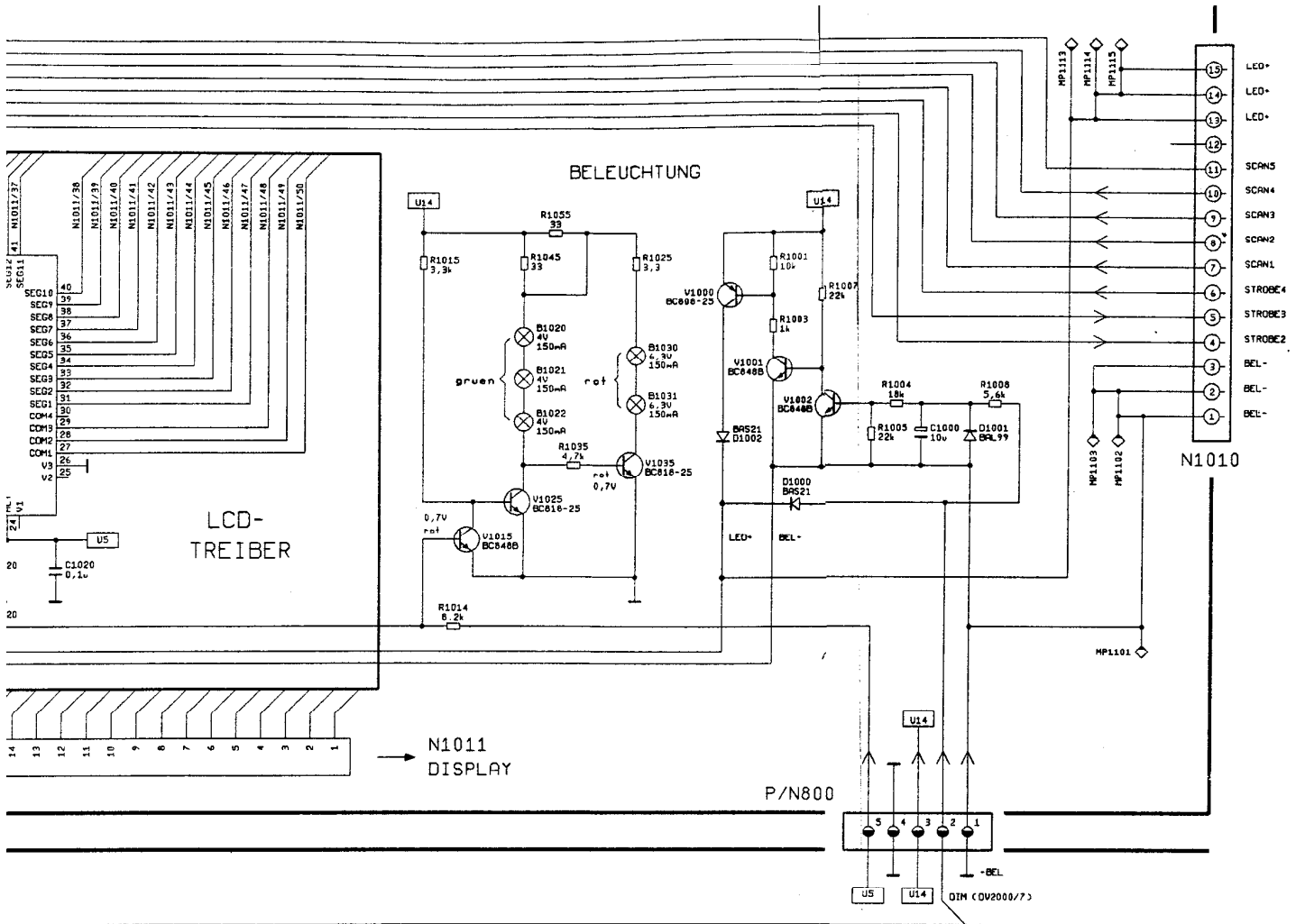
PL 20  
2334

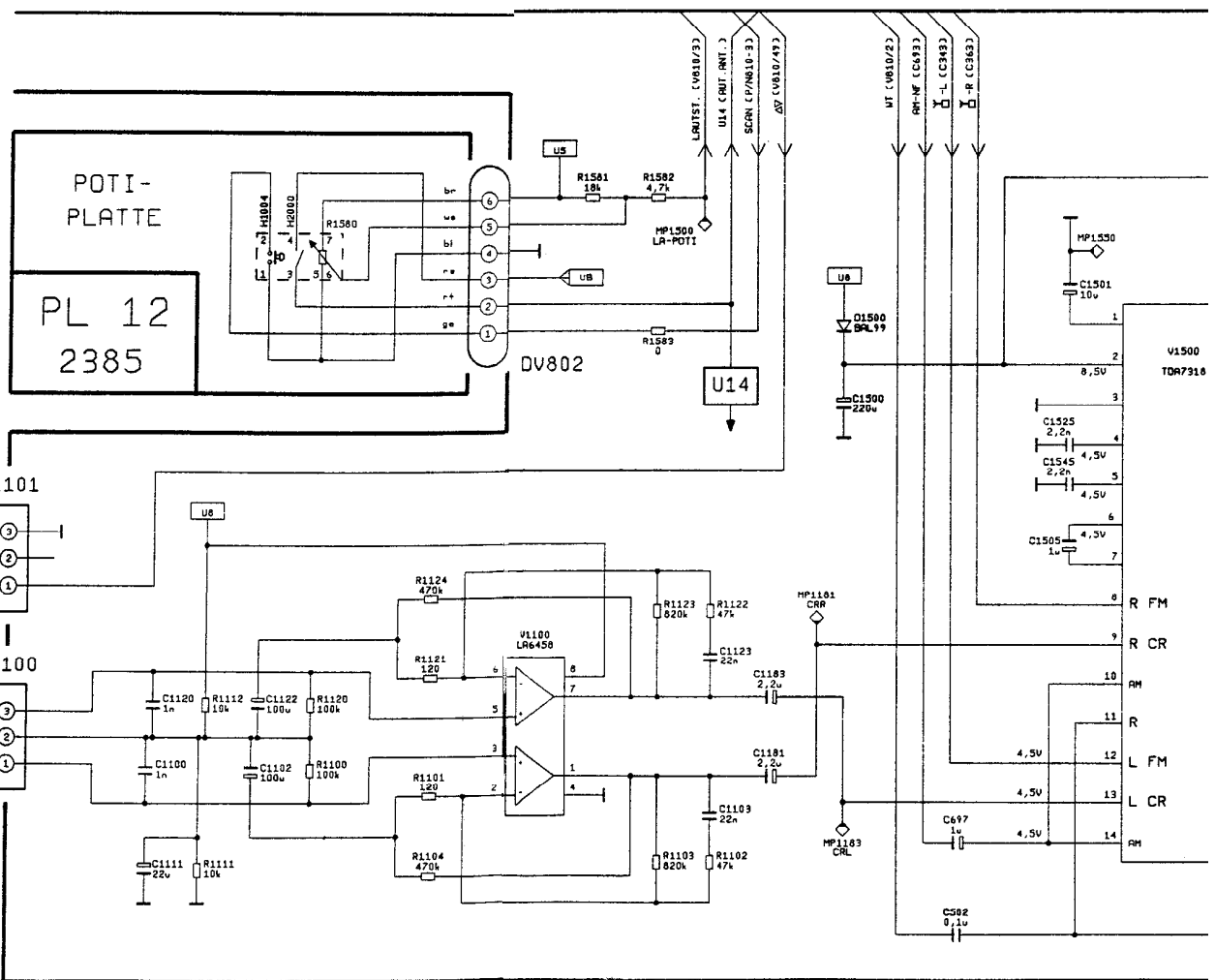
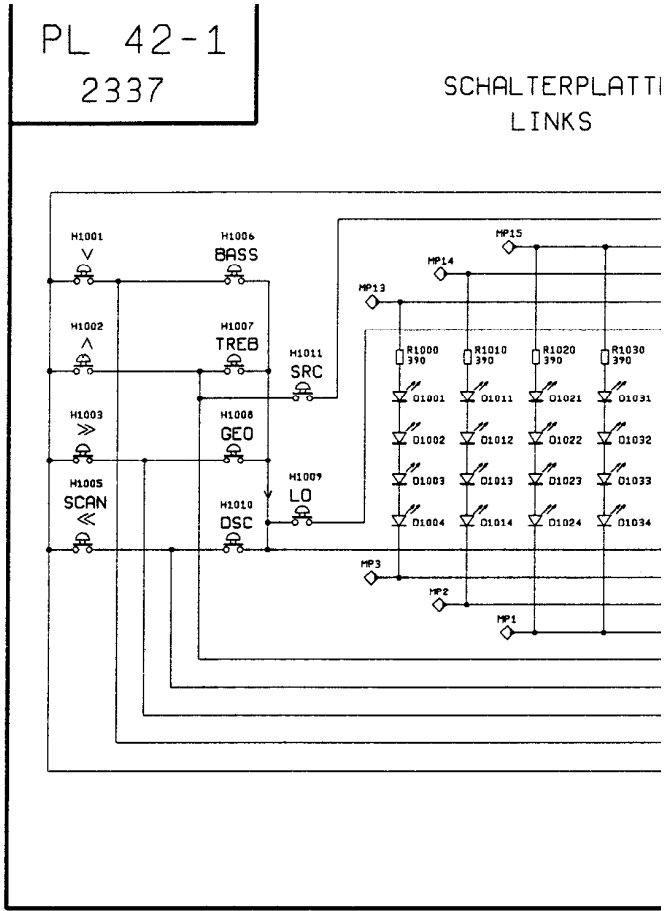
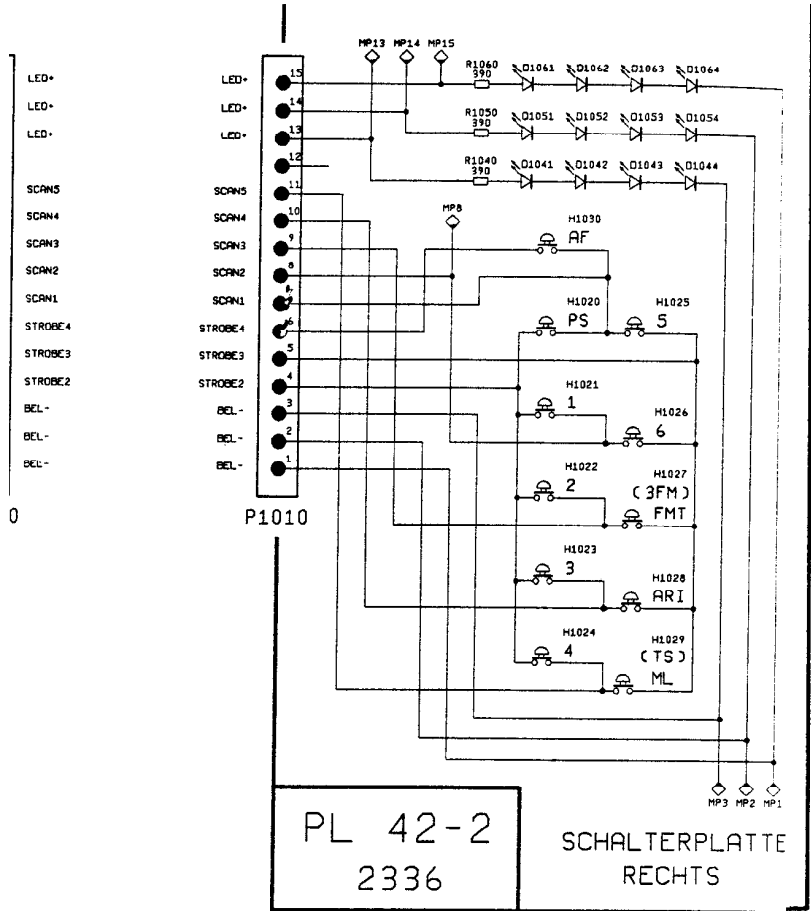




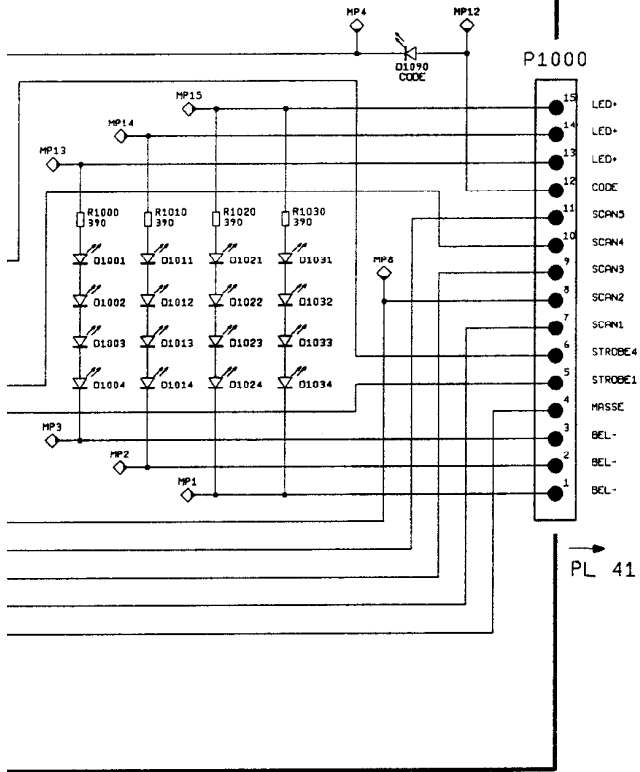






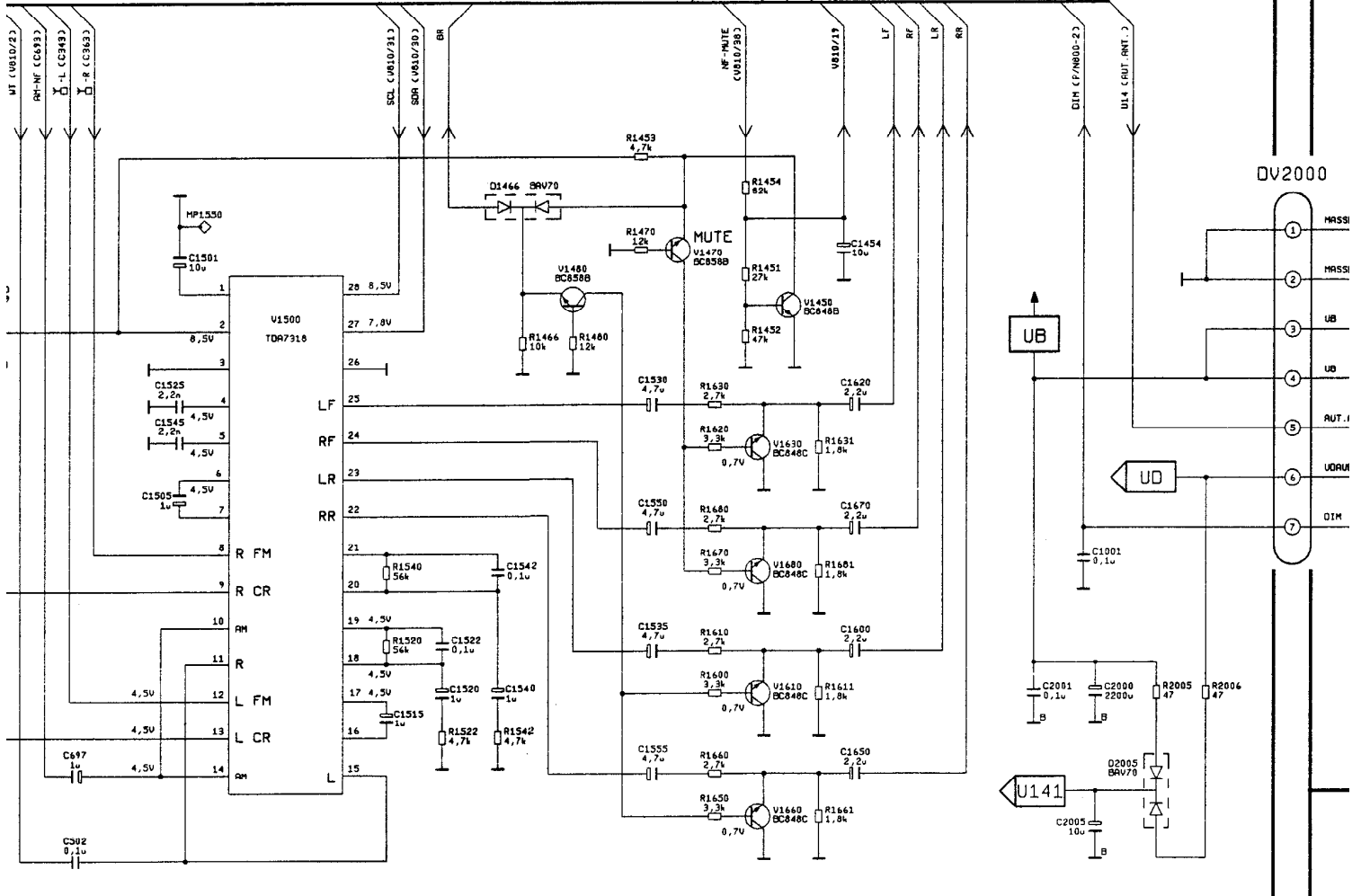
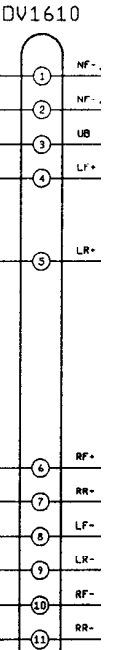
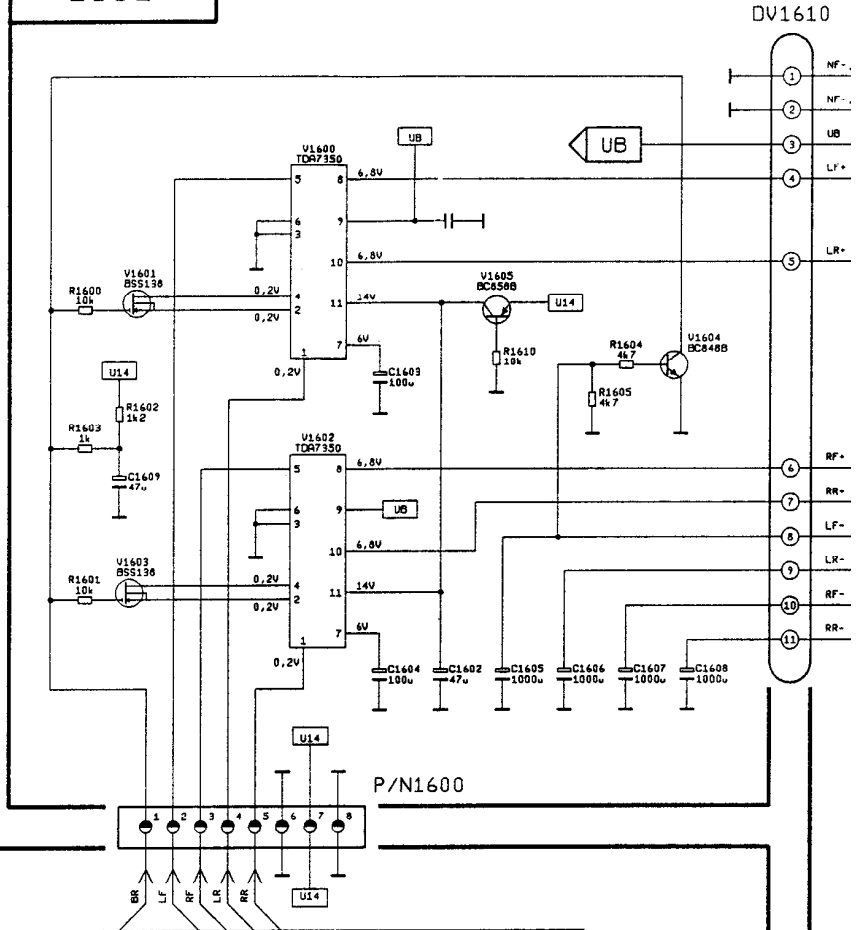


SCHALTERPLATTE  
LINKS



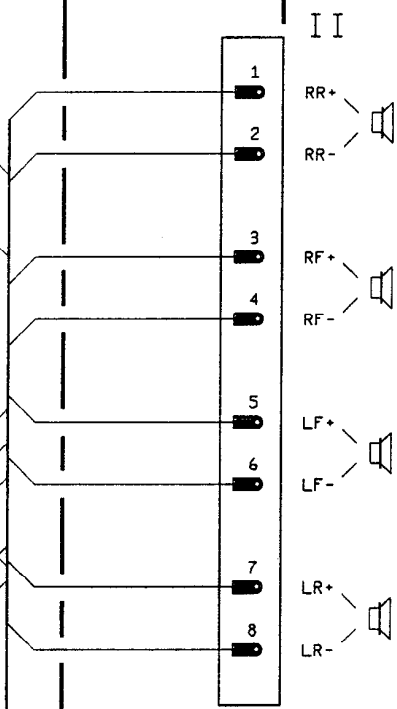
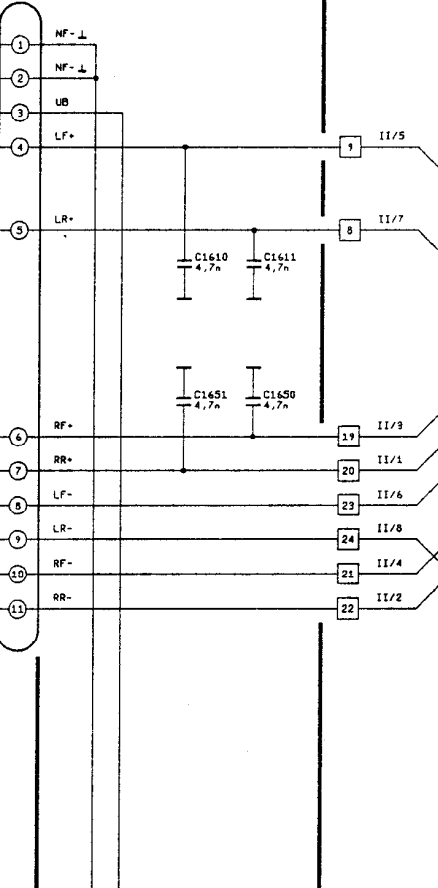
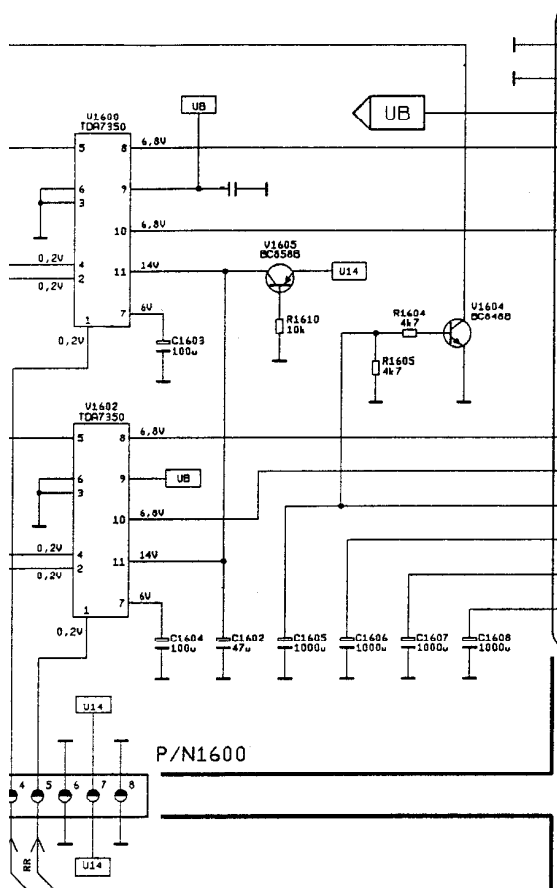
PL 10  
2351

NF-TEIL



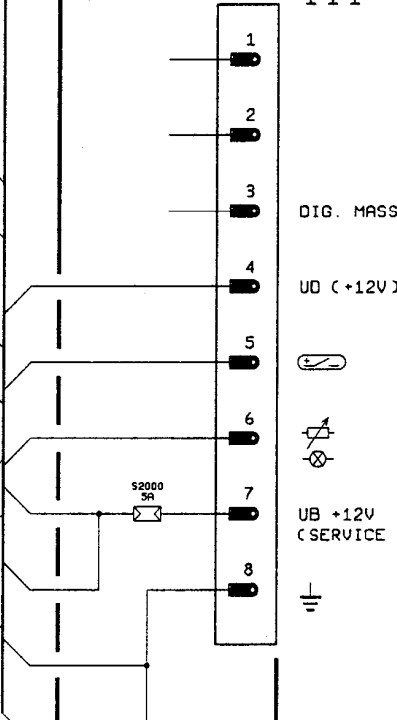
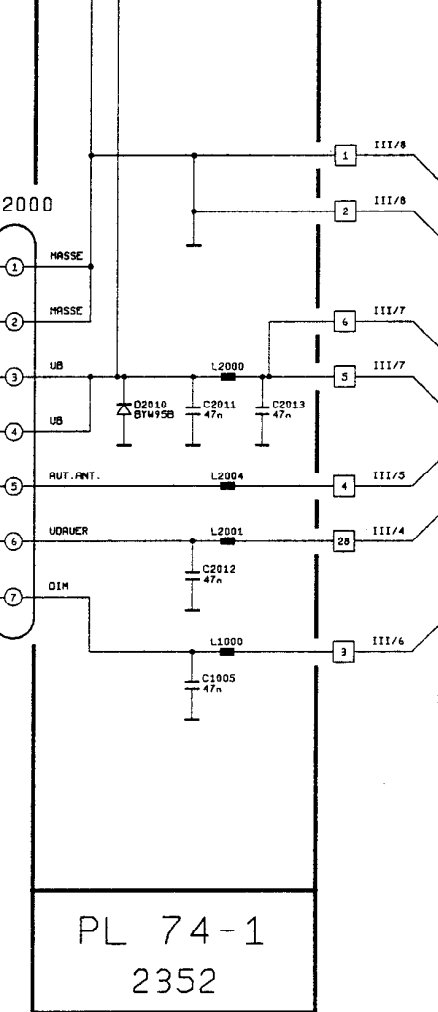
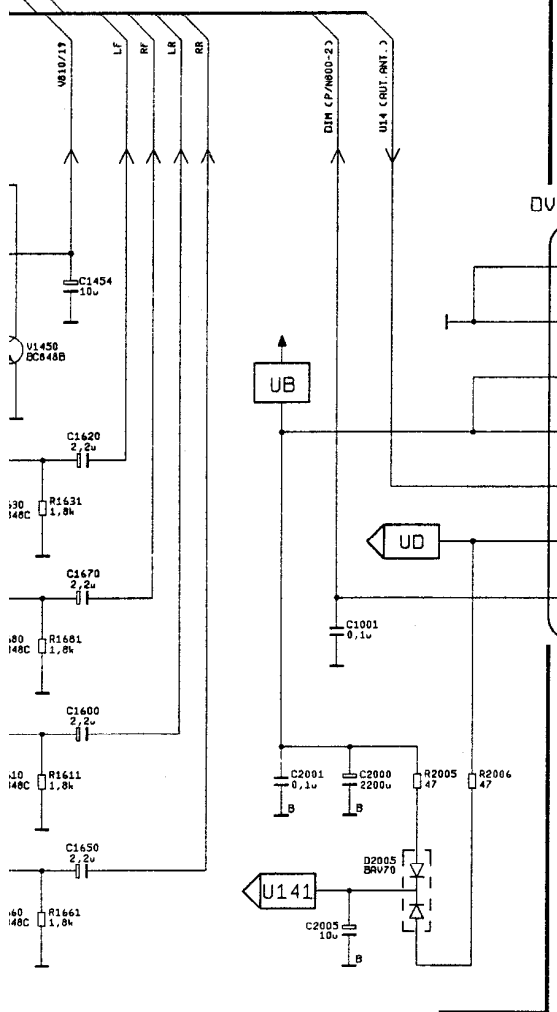
NF-TEIL

DV1610



II

- 1 RR+
- 2 RR-
- 3 RF+
- 4 RF-
- 5 LF+
- 6 LF-
- 7 LR+
- 8 LR-



III

- 1 DIG. MASSE
- 2 UD (+12V)
- 3 UB +12V (SERVICE +14V)
- 4
- 5
- 6
- 7
- 8

PL 74-1  
2352

PL 74-2

PARIS-RCR41  
7 641 774 010 / INLAND  
7 641 775 013 / AUSLAND