

LM394,LM833

Application Note 346 High-Performance Audio Applications of The LM833



Literature Number: SNOA586C

High-Performance Audio Applications of The LM833

National Semiconductor
Application Note 346
Kerry Lacanette
August 1985



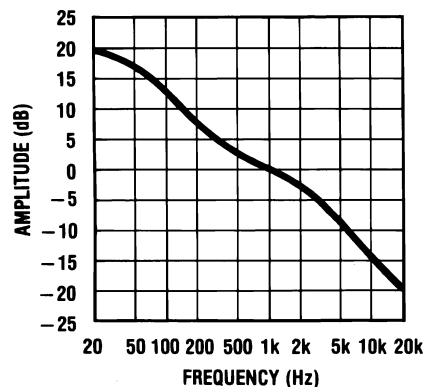
Designers of quality audio equipment have long recognized the value of a low noise gain block with "audiophile performance". The LM833 is such a device: a dual operational amplifier with excellent audio specifications. The LM833 features low input noise voltage (4.5 nV/√Hz typical), typical, large gain-bandwidth product (15 MHz), high slew rate (7V/μSec), low THD (0.002% 20 Hz-20 kHz), and unity gain stability. This Application Note describes some of the ways in which the LM833 can be used to deliver improved audio performance.

1. Two Stage RIAA Phono Preamp

A phono preamplifier's primary task is to provide gain (usually 30 to 40 dB at 1 kHz) and accurate amplitude and phase equalization to the signal from a moving magnet or a moving coil cartridge. (A moving coil device's output voltage is typically around 20 dB lower than that of a moving magnet pickup, so this signal is usually amplified by a step-up device—either an active circuit or a transformer—before being applied to the input of the phono preamplifier). In addition to the amplification and equalization functions, the phono preamp must not add significant noise or distortion to the signal from the cartridge.

Figure 1 shows the standard RIAA phono preamplifier amplitude response. Numerical values relative to the 1 kHz gain are given in Table 1. Note that the gain rolls off at a 6 dB/octave rate above 2122 Hz. Most phono preamplifier circuits in commercially available audio products, as well as most published circuits, are based on the topology shown in Figure 2(a). The network consisting of R₁, R₂, C₁, and C₂ is not unique, and can be replaced by any of several other net-

works that give equivalent results. R_o is generally well under 1k to keep its contribution to the input noise voltage below that of the cartridge itself. The 47k resistor shunting the input provides damping for moving-magnet phono cartridges. The input is also shunted by a capacitance equal to the sum of the input cable capacitance and C_p. This capacitance resonates with the inductance of the moving magnet cartridge around 15 kHz to 20 kHz to determine the frequency response of the transducer, so when a moving magnet pickup is used, C_p should be carefully chosen so that the total capacitance is equal to the recommended load capacitance for that particular cartridge.



00552001

FIGURE 1. Standard RIAA phonograph preamplifier frequency response curve. Gain continues to roll off at a 6 dB/octave rate above 20 kHz.

TABLE 1. RIAA standard response referred to gain at 1 kHz.

FREQUENCY (Hz)	AMPLITUDE (dB)	FREQUENCY (Hz)	AMPLITUDE (dB)
20	+19.3	800	+0.7
30	+18.6	1000	0.0
40	+17.8	1500	-1.4
50	+17.0	2000	-2.6
60	+16.1	3000	-4.8
80	+14.5	4000	-6.6
100	+13.1	5000	-8.2
150	+10.3	6000	-9.6
200	+8.2	8000	-11.9
300	+5.5	10000	-13.7
400	+3.8	15000	-17.2
500	+2.6	20000	-19.6

The circuit of Figure 2(a) has a disadvantage: it cannot accurately follow the curve in Figure 1, no matter what values are chosen for the feedback resistors and capacitors. This is because the non-inverting amplifier cannot have a

gain of less than unity, which means that the high frequency gain cannot roll off continuously above the 2122 Hz breakpoint as it is supposed to. Instead, a new breakpoint is introduced at the unity gain frequency.

1. Two Stage RIAA Phono Preamplifier (Continued)

In addition to the amplitude response errors (which can be made small through careful design), the lack of a continued rolloff can cause distortion in later stages of the audio system by allowing high frequency signals from the pickup cartridge to pass through the phono equalizer without sufficient attenuation. This is generally not a problem with moving magnet cartridges, since they are usually severely band-limited above 20 kHz due to the electrical resonance of cartridge inductance and preamp input capacitance. Moving coil cartridges, however, have very low inductance, and can produce significant output at frequencies as high as 150 kHz. If a subsequent preamplifier stage or power amplifier suffers from distortion caused by slew-rate limitations, these ultrasonic signals can cause distortion of the audio signal even though the signals actually causing the distortion are inaudible.

Preamplifiers using the topology of *Figure 2(a)* can suffer from distortion due to input stage nonlinearities that are not corrected by the feedback loop. The fact that practical amplifiers have non-infinite common mode rejection ratios means that the amplifier will have a term in its gain function that is dependent on the input voltage level. Since most good operational amplifiers have very high common mode rejection ratios, this form of distortion is usually quite difficult to find in opamp-based designs, but it is very common in discrete amplifiers using two or three transistors since these circuits generally have poor common mode performance. Another source of input stage distortion is input impedance nonlinearity. Since the input impedance of an amplifier can vary depending on the input voltage, and the signal at the amplifier input will be more strongly affected by input impedance if the source impedance is high, distortion will generally increase as the source impedance increases. Again, this problem will typically be significant only when the amplifier is a simple discrete design, and is not generally troublesome with good op amp designs.

The disadvantages of the circuit configuration of *Figure 2(a)* have led some designers to consider the use of RIAA preamplifiers based on the inverting topology shown in *Figure 2(b)*. This circuit can accurately follow the standard RIAA response curve since the absolute value of its gain can be less than unity. The reduced level of ultrasonic information at its output will sometimes result in lower perceived distortion

(depending on the design of the other components in the audio system). Since there is no voltage swing at the preamplifier input, distortion will be lower in cases where the gain block has poor common-mode performance. (The common-mode distortion of the LM833 is low enough that it exhibits essentially the same THD figures whether it is used in the inverting or the non-inverting mode.)

The primary handicap of the inverting configuration is its noise performance. The 47k resistor in series with the source adds at least 4 μV of noise (20 Hz to 20 kHz) to the preamplifier's input. In addition to 4 μV of thermal noise from the 47k resistor, the high impedance in series with the preamp input will generally result in a noise increase due to the preamplifier's input noise current, especially when the series impedance is made even larger by a moving magnet cartridge at resonance. In contrast, the 47k damping resistor in *Figure 2(a)* is in parallel with the source, and is a significant noise contributor only when the source impedance is high. This will occur near resonance, when the source is a moving magnet cartridge. Since the step-up devices used with moving coil cartridges present a low, primarily resistive source impedance to the preamplifier input, the effects of cartridge resonance and input noise current are virtually eliminated for moving coil sources. Therefore, the circuit of *Figure 2(a)* has a noise advantage of about 16 dB with a moving coil source, and from about 13 dB to about 18 dB (depending on the source impedance and on the input noise current of the amplifier) with a moving magnet source. Using the component values shown, the circuit in *Figure 2(a)* follows the RIAA characteristic with an accuracy of better than 0.5 dB (20–20 kHz) and has an input-referred noise voltage equal to 0.33 μV over the Audio frequency range.

Even better performance can be obtained by using the two-amplifier approach of *Figure 3*. The first operational amplifier takes care of the 50 Hz and 500 Hz breakpoints, while the 2122 Hz rolloff is accomplished by the passive network R_3 , R_6 , and C_3 . The second amplifier supplies additional gain—10 dB in this example. Using two amplifiers results in accurate conformance to the RIAA curve without reverting to the noisy inverting topology, as well as lower distortion due to the fact that each amplifier is operating at a lower gain than would be the case in a single-amplifier design. Also, the amplifiers are not required to drive capacitive feedback networks with the full preamplifier output voltages, further reducing distortion compared to the single-amplifier designs.

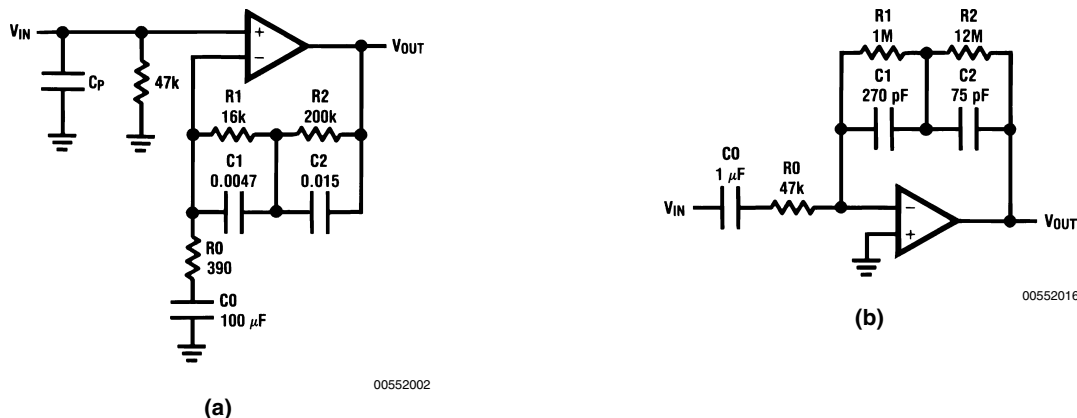


FIGURE 2. Two typical operational amplifier-based phono preamplifier circuits. (a) Non-inverting. (b) Inverting.

1. Two Stage RIAA Phono Preamplifier (Continued)

The design equations for the preamplifier are:

$$R_1 = 8.058 R_0 A_1, \text{ where } A_1 \text{ is the 1 kHz voltage gain of the first amplifier.} \quad (1)$$

$$C_1 = \frac{3.18 \times 10^{-3}}{R_1} \quad (2)$$

$$R_2 = \frac{R_1}{9} - R_0 \quad (3)$$

$$C_3 = 7.5 \times 10^{-5} \frac{(R_3 + R_6)}{R_3 R_6} = \frac{7.5 \times 10^{-5}}{R_P} \quad (4)$$

$$C_4 = \frac{1}{2\pi f_L (R_3 + R_6)} \quad (5)$$

where f_L is the low-frequency -3 dB corner of the second stage. For standard RIAA preamplifiers, f_L should be kept well below the audible frequency range. If the preamplifier is to follow the IEC recommendation (IEC Publication 98, Amendment #4), f_L should equal 20.2 Hz.

$$A_{V2} = 1 + \frac{R_5}{R_4} \quad (6)$$

where A_{V2} is the voltage gain of the second amplifier.

$$C_0 \approx \frac{1}{2\pi f_0 R_0} \quad (7)$$

where f_0 is the low-frequency -3 dB corner of the first amplifier. This should be kept well below the audible frequency range.

A design procedure is shown below with an illustrative example using 1% tolerance E96 components for close conformance to the ideal RIAA curve. Since 1% tolerance capacitors are often difficult to find except in 5% or 10% standard values, the design procedure calls for re-calculation of a few component values so that standard capacitor values can be used.

RIAA PHONO PREAMPLIFIER DESIGN PROCEDURE

1. Choose R_0 . R_0 should be small for minimum noise contribution, but not so small that the feedback network excessively loads the amplifier.
Example: Choose $R_0 = 500$.
2. Choose 1 kHz gain, A_{V1} of first amplifier. This will typically be around 20 dB to 30 dB.
Example: Choose $A_{V1} = 26$ dB = 20.
3. Calculate $R_1 = 8.058 R_0 A_{V1}$
Example: $R_1 = 8.058 \times 500 \times 20 = 80.58k$.
- 4.

$$\text{Calculate } C_1 = \frac{3.18 \times 10^{-3}}{R_1}$$

$$\text{Example: } C_1 = \frac{3.18 \times 10^{-3}}{8.058 \times 10^4} = 0.03946 \mu\text{F}$$

5. If C_1 is not a convenient value, choose the nearest convenient value and calculate a new R_1 from

$$R_1 = \frac{3.18 \times 10^{-3}}{C_1}$$

Example: New $C_1 = 0.039 \mu\text{F}$.

$$\text{New } R_1 = \frac{3.18 \times 10^{-3}}{3.9 \times 10^{-8}} = 81.54k$$

Use $R_1 = 80.6k$

6. Calculate a new value for R_0 from $R_0 = \frac{R_1}{8.058 A_{V1}}$
Example: New $R_0 = \frac{8.06 \times 10^4}{8.058 \times 20} = 498.8$.

Use $R_0 = 499$.

- 7.

$$\text{Calculate } R_2 = \frac{R_1}{9} - R_0$$

$$\text{Example: } R_2 = \frac{8.06 \times 10^4}{9} - 499 = 8456.56$$

Use 8.45k.

8. Choose a convenient value for C_3 in the range from 0.01 μF to 0.05 μF .

Example: $C_3 = 0.033 \mu\text{F}$.

- 9.

$$\text{Calculate } R_P = \frac{7.5 \times 10^{-5}}{C_3}$$

$$\text{Example: } R_P = \frac{7.5 \times 10^{-5}}{3.3 \times 10^{-8}} = 2.273k.$$

10. Choose a standard value for R_3 that is slightly larger than R_P .

Example: $R_3 = 2.37k$.

11. Calculate R_6 from $1/R_6 = 1/R_P - 1/R_3$

Example: $R_6 = 55.36k$

Use 54.9k.

1. Two Stage RIAA Phono Preamplifier (Continued)

12. Calculate C_4 for low-frequency rolloff below 1 Hz from design Equation (5).

Example: $C_4 = 2 \mu\text{F}$. Use a good quality mylar, polystyrene, or polypropylene.

13. Choose gain of second amplifier.

Example: The 1 kHz gain up to the input of the second amplifier is about 26 dB for this example. For an overall 1 kHz gain equal to about 36 dB we choose:

$$A_{V2} = 10 \text{ dB} = 3.16.$$

14. Choose value for R_4 .

Example: $R_4 = 2\text{k}$.

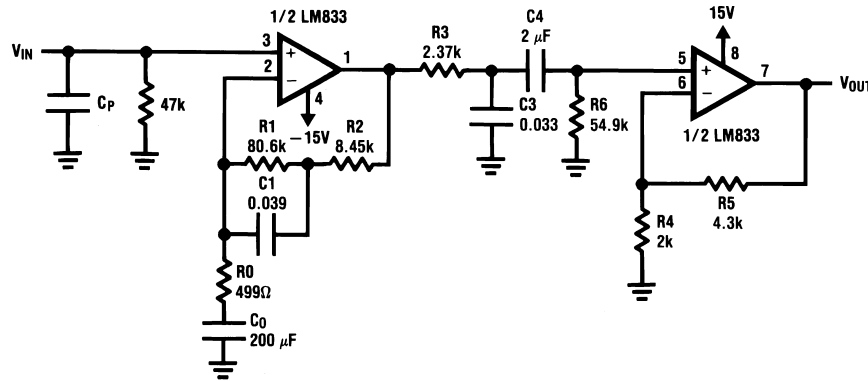
15. Calculate $R_5 = (A_{V2} - 1) R_4$

Example: $R_5 = 4.32\text{k}$.

Use $R_5 = 4.3\text{k}$

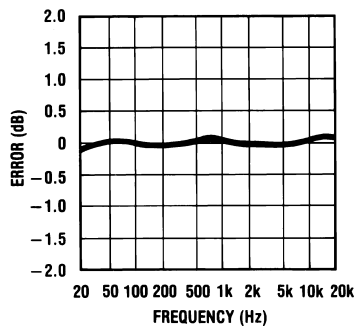
16. Calculate C_0 for low-frequency rolloff below 1 Hz from design Equation (7).

Example: $C_0 = 200 \mu\text{F}$.



00552003

FIGURE 3. Two-amplifier RIAA phono preamplifier with very accurate RIAA response.

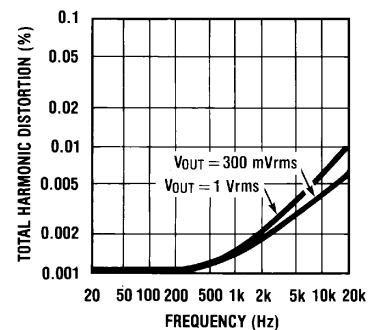


00552004

FIGURE 4. Deviation from ideal RIAA response for circuit of Figure 3 using 1% resistors. The maximum observed error for the prototype was 0.1 dB.

The circuit of Figure 3 has excellent performance: Conformance to the RIAA curve is within 0.1 dB from 20 Hz to 20 kHz, as illustrated in Figure 4 for a prototype version of the circuit. THD and noise data are reproduced in Figure 5 and Table 2, respectively. If a "perfect" cartridge with 1mV/cm/s sensitivity (higher than average) is used as the input to this preamplifier, the highest recorded groove velocities available on discs (limited by the cutting equipment) will fall below the 1V curve except in the 1 kHz to 10 kHz region, where isolated occur-

ances of 2V to 3V levels can be generated by one or two of the "superdiscs". (See reference 4). The distortion levels at those frequencies and signal levels are essentially the same as those shown on the 1V curve, so they are not reproduced separately here. It should be noted that most real cartridges are very limited in their ability to track such large velocities, and will not generate preamplifier output levels above 1Vrms even under high groove velocity conditions.



00552005

FIGURE 5. THD of circuit in Figure 3 as a function of frequency. The lower curve is for an output level of 300mVrms and the upper curve is for an output level of 1Vrms.

1. Two Stage RIAA Phono Preamplifier (Continued)

TABLE 2. Equivalent input noise and signal-to-noise ratio for RIAA preamplifier circuit of Figure 3. Noise levels are referred to gain at 1 kHz.

NOISE WEIGHTING	CCIR/ARM	"A"	FLAT
Noise voltage	0.26 μ V	0.23 μ V	0.37 μ V
S/N referred to 5 mV input at 1 kHz	86 dB	87 dB	82 dB

2. Active Crossover Network for Loudspeakers

A typical multi-driver loudspeaker system will contain two or more transducers that are intended to handle different parts of the audio frequency spectrum. Passive filters are usually used to split the output of a power amplifier into signals that are within the usable frequency range of the individual drivers. Since passive crossover networks must drive loudspeaker elements whose impedances are quite low, the capacitors and inductors in the crossovers must be large in value, meaning that they will very likely be expensive and physically large. If the capacitors are electrolytic types or if the inductors do not have air cores, they can also be significant sources of distortion. Furthermore, many desirable filter characteristics are either impossible to realize with passive circuitry, or require so much attenuation to achieve passively that system efficiency is severely reduced.

An alternative approach is to use low-level filters to divide the frequency spectrum, and to follow each of these with a separate power amplifier for each driver or group of drivers. A two-way (or "bi-amped") system of this type is shown in Figure 6. This basic concept can be expanded to any number of frequency bands. For accurate sound reproduction, the sum of the filter outputs should be equal to the crossover input (if the transducers are "ideal"). While this seems to be an obvious requirement, it is very difficult to find a commercial active dividing network that meets it. Consider an active crossover consisting of a pair of 2nd-order Butterworth filters, (one is a low-pass; the other is a high-pass). The transfer functions of the filters are of the form:

$$\frac{V_L(s)}{V_{IN}(s)} = \frac{1}{s^2 + \sqrt{2}s + 1}$$

$$\frac{V_H(s)}{V_{IN}(s)} = \frac{s^2}{s^2 + \sqrt{2}s + 1}$$

and their sum is:

$$\frac{V_L(s)}{V_{IN}(s)} + \frac{V_H(s)}{V_{IN}(s)} = \frac{1 + s^2}{s^2 + \sqrt{2}s + 1}$$

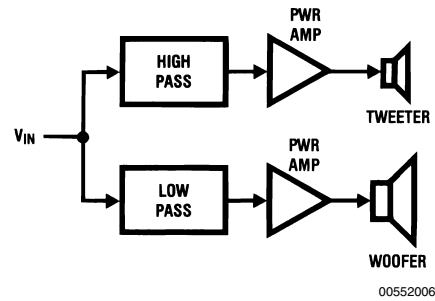


FIGURE 6. Block diagram of a two-way loudspeaker system using a low level crossover network ahead of the power amplifiers.

The output will therefore never exactly equal the input signal (except in the trivial case of a DC input). Figure 7 shows the response of this crossover to a square wave input, and the amplitude and phase response of the crossover to sinusoidal steady state inputs can be seen in Figure 8. Higher-order filters will yield similarly dissatisfying results when this approach is used.

A significant improvement can be made by the use of a constant voltage crossover like the one shown in Figure 9. The term "constant voltage" means that the outputs of the high-pass and low-pass sections add up to produce an exact replica of the input signal. The rolloff rate is 12 dB/octave. The input impedance is equal to $R/2$, or 12 k Ω in the circuit of Figure 9. The LM833 is especially well-suited for active filter applications because of its high gain-bandwidth product. The transfer functions of this crossover network are of the form

$$\frac{V_L(s)}{V_{IN}(s)} = \frac{a_1 s + 1}{a_3 s^3 + a_2 s^2 + a_1 s + 1}$$

and

$$\frac{V_H(s)}{V_{IN}(s)} = \frac{a_3 s^3 + a_2 s^2}{a_3 s^3 + a_2 s^2 + a_1 s + 1}$$

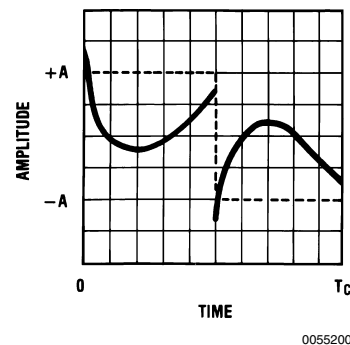


FIGURE 7. Response of second-order Butterworth crossover network (high-pass and low-pass outputs summed) to a square wave input (dashed line) at the crossover frequency. Period is $T_C = 1/f_C$.

2. Active Crossover Network for Loudspeakers (Continued)

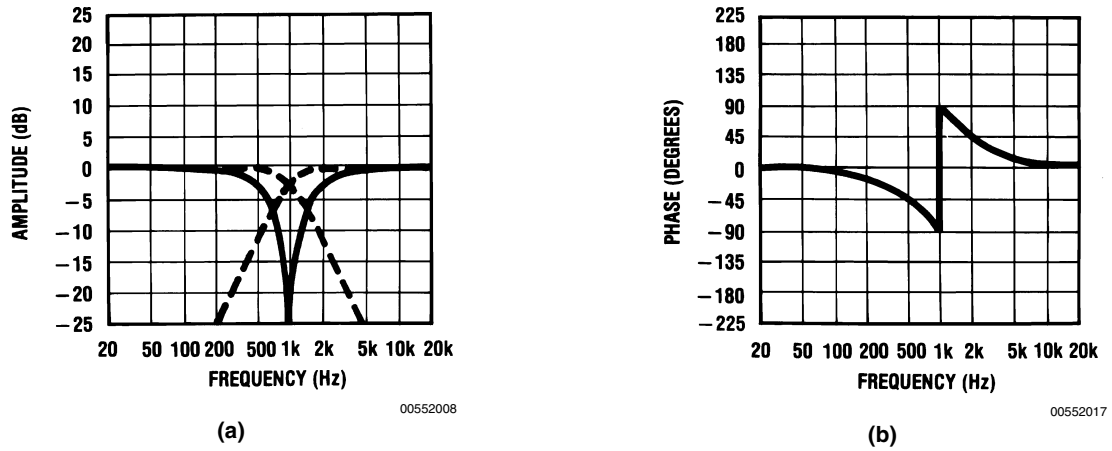


FIGURE 8. Magnitude (a) and phase (b) response of a second-order, 1 kHz Butterworth crossover network with the high-pass and low-pass outputs summed. The individual high-pass and low-pass outputs are superimposed (dashed lines).

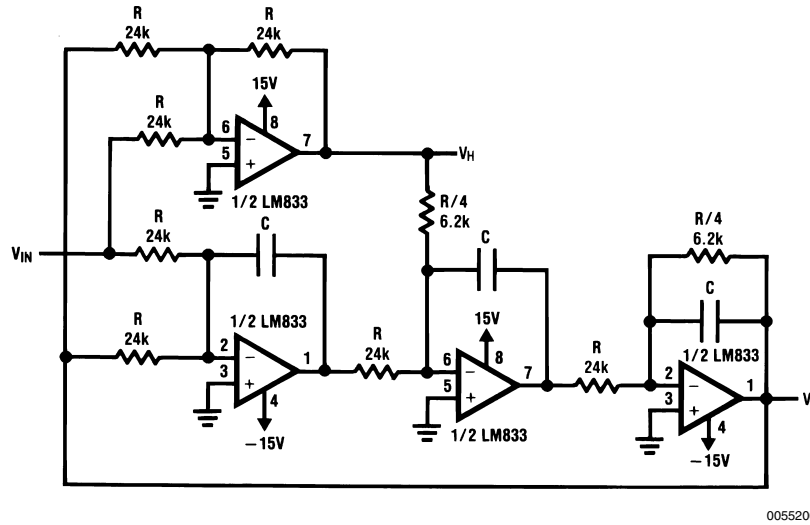
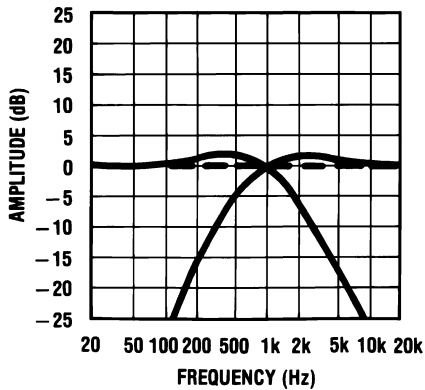


FIGURE 9. Constant-voltage crossover network with 12 dB/octave slopes. The crossover frequency is equal to $\frac{1}{2\pi RC}$.

The low-pass and high-pass constant voltage crossover outputs are plotted in *Figure 10*. The square-wave response (not shown) of the summed outputs is simply an inverted

square-wave, and the phase shift (also not shown) is essentially 0° to beyond 20 kHz.

2. Active Crossover Network for Loudspeakers (Continued)



00552010

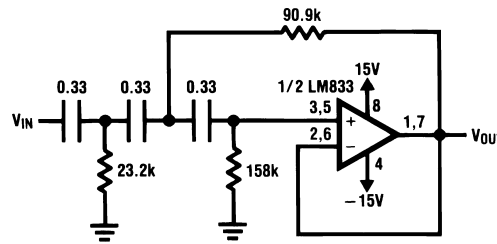
FIGURE 10. Low-pass and high-pass responses of constant-voltage crossover network in Figure 9 with crossover frequency of 1 kHz. For the circuit of Figure 9, $a_1=4$, $a_2=4$, and $a_3=1$. Note that the summed response (dashed lines) is perfectly flat.

It is important to remember that even a constant voltage crossover transfer function does not guarantee an ideal overall system response, because the transfer functions of the transducers will also affect the overall response. This can be minimized to some extent by using drivers that are “flat” at least two octaves beyond the crossover frequency.

3. Infrasonic and Ultrasonic Filters

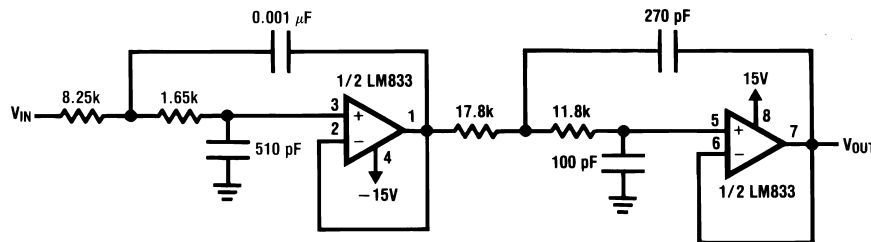
In order to ensure “perfectly flat” amplitude response from 20 Hz to 20 kHz, many audio circuits are designed to have bandwidths extending far beyond the audio frequency range. There are many high-fidelity systems, however, that can be audibly improved by reducing the gain at frequencies above and below the limits of audibility.

The phonograph arm/cartridge/disc combination is the most significant source of unwanted low-frequency information. Disc warps on 33 $\frac{1}{3}$ rpm records can cause large-amplitude signals at harmonics of 0.556 Hz. Other large low-frequency signals can be created at the resonance frequency determined by the compliance of the pickup cartridge and the effective mass of the cartridge/arm combination. The magnitude of undesirable low-frequency signals can be especially large if the cartridge/arm resonance occurs at a warp frequency. Infrasonic signals can sometimes overload amplifiers, and even in the absence of amplifier overload can cause large woofer excursions, resulting in audible distortion and even woofer damage.



00552011

FIGURE 11. Filter for rejection of undesirable infrasonic signals. Filter characteristic is third-order Butterworth with -3 dB frequency at 15 Hz. Resistor and capacitor values shown are for 1% tolerance components. 5% tolerance units can be substituted in less critical applications.



00552012

FIGURE 12. Ultrasonic rejection filter with fourth-order Bessel low-pass characteristic. The filter gain is down 3 dB at about 40 kHz. As with the infrasonic filter, 1% tolerance components should be used for accurate response.

3. Infrasonic and Ultrasonic Filters

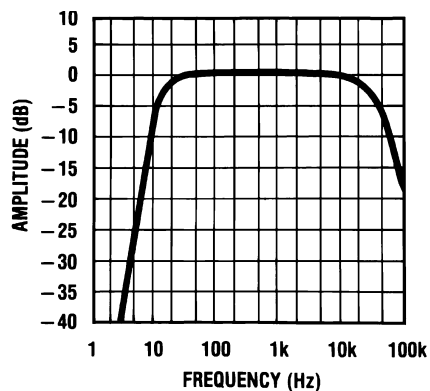
(Continued)

Ultrasonic signals tend to cause problems in power amplifiers when the amplifiers exhibit distortion mechanisms due to slew rate limitations and other high frequency nonlinearities. The most troublesome high-frequency signals come principally from moving-coil cartridges and sometimes from tape recorders if their bias oscillator outputs manage to get into the audio signal path. Like the infrasonic signals, ultrasonic signals can place distortion products in the audio band even though the offending signals themselves are not audible.

The circuits in *Figure 11* and *Figure 12* attenuate out-of-band signals while having minimal effect on the audio program. The infrasonic filter in *Figure 11* is a third-order Butterworth high-pass with its -3 dB frequency at 15 Hz. The attenuation at 5 Hz is over 28 dB, while 20 Hz information is reduced by only 0.7 dB and 30 Hz information by under 0.1 dB.

The ultrasonic filter in *Figure 12* is a fourth-order Bessel alignment, giving excellent phase characteristics. A Bessel filter approximates a delay line within its passband, so complex in-band signals are passed through the filter with negligible alteration of the phase relationships among the various in-band signal frequencies. The circuit shown is down 0.65 dB at 20 kHz and -3 dB at about 40 kHz. Rise time is limited to about 8.5 μ Sec.

The high-pass and low-pass filters exhibit extremely low THD, typically under 0.002%. Both circuits must be driven from low impedance sources (preferably under 100 ohms). 5% components will often yield satisfactory results, but 1% values will keep the filter responses accurate and minimize mismatching between the two channels. The amplitude response of the two filters in cascade is shown in *Figure 13*. When the two filters are cascaded, the low-pass should precede the high-pass.



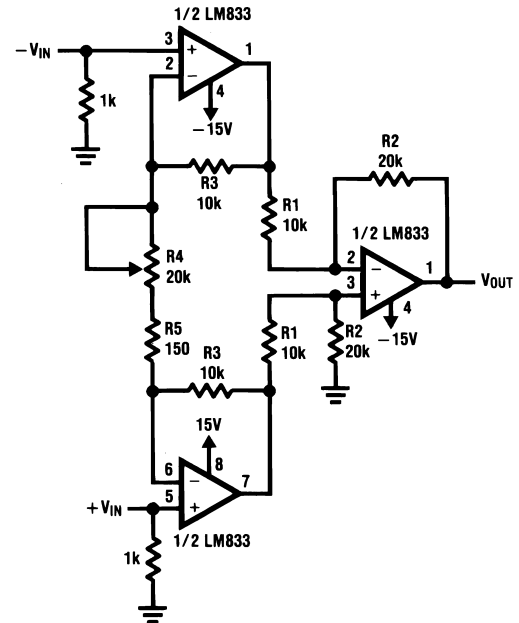
00552013

FIGURE 13. Amplitude response of infrasonic and ultrasonic filters connected in series.

4. Transformerless Microphone Preamplifiers

Microphones used in professional applications encounter an extremely wide dynamic range of input sound pressure levels, ranging from about 30 dB SPL (ambient noise in a quiet room) to over 130 dB SPL. The output voltage of a low impedance (200 ohm) microphone over this range of SPLs might typically vary from 20 μ V to 2V rms, while its

self-generated output noise would be on the order of 0.25 μ V over a 20 kHz bandwidth. Since the microphone's output dynamic range is so large, a preamplifier for microphone signals should have an adjustable gain so that it can be optimized for the signal levels that will be present in a given situation. Large signals should be handled without clipping or excessive distortion, and small signals should not be degraded by preamplifier noise.



00552014

FIGURE 14. Simple transformerless microphone preamplifier using LM833. R_1 , R_2 , and R_3 are 0.1% tolerance units (or R_2 can be trimmed).

For a conservative low noise design, the preamplifier should contribute no more noise to the output signal than does the resistive portion of the source impedance. In practical applications, it is often reasonable to allow a higher level of input noise in the preamplifier since ambient room noise will usually cause a noise voltage at the microphone output terminals that is on the order of 30 dB greater than the microphone's intrinsic (due to source resistance) noise floor.

When long cables are used with a microphone, its output signal is susceptible to contamination by external magnetic fields—especially power line hum. To minimize this problem, the outputs of most professional microphones are balanced, driving a pair of twisted wires with signals of opposite polarity. Ideally, magnetic fields will induce equal voltages on each of the two wires, which can then be cancelled if the signals are applied to a transformer or differential amplifier at the preamplifier input.

The circuits in *Figure 14* and *Figure 15* are transformerless differential input microphone preamplifiers. Avoiding transformers has several advantages, including lower cost, smaller physical size, and reduced distortion. The circuit of *Figure 14* is the simpler of the two, with two LM833s amplifying the input signal before the common-mode noise is cancelled in the differential amplifier. The equivalent input noise is about 760 nV over a 20 Hz to 20 kHz frequency band (-122 dB referred to 1V), which is over 26 dB lower

4. Transformerless Microphone Preamplifiers (Continued)

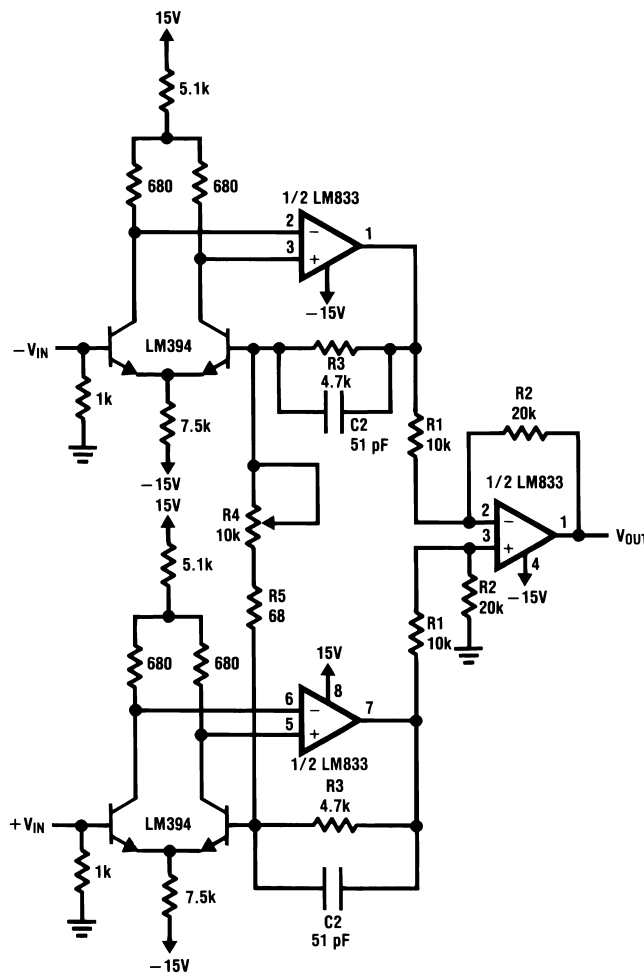
than a typical microphone's output from the 30 dB SPL ambient noise level in a quiet room. THD is under .01% at maximum gain, and .002% at minimum gain. For more critical applications with lower sensitivity microphones, the circuit of *Figure 15* uses LM394s as input devices for the LM833 gain stages. The equivalent input noise of this circuit is about 2.4 nV/ $\sqrt{\text{Hz}}$, at maximum gain, resulting in a 20 Hz to 20 kHz input noise level of 340 nV, or -129 dB referred to 1V.

In both circuits, potentiometer R_4 is used to adjust the circuit gain from about 4 to 270. The maximum gain will be limited by the minimum resistance of the potentiometer. If R_1 , R_2 , and R_3 are all 0.1% tolerance units, the rejection of hum and other common-mode noise will typically be about 60 dB, and about 44 dB worst case. If better common-mode rejection is

needed, one of the R_2 s can be replaced by an 18k resistor and a 5k potentiometer to allow trimming of CMRR. To prevent radio-frequency interference from getting into the preamplifier inputs, it may be helpful to place 470 pF capacitors between the inputs and ground.

References:

- 1) S. P. Lipshitz, J. Audio Eng. Soc., "On RIAA Equalization Networks", June 1979.
- 2) P. J. Baxandall, J. Audio Eng. Soc., Letter, pp47-52, Jan 1981.
- 3) Ashley and Kaminsky, J. Audio Eng. Soc., "Active and Passive Filters as Loudspeaker Crossover Networks", June 1971.
- 4) T. Holman, Audio, "Dynamic Range Requirements of Phonographic Preamplifiers", July 1977.



00552015

FIGURE 15. Transformerless microphone preamplifier similar to that of *Figure 14*, but using LM394s as low-noise input stages.

Appendix I: Derivation of RIAA Phono Preamp Design Equations (8), (9), (10).

The first three design equations on the third page are derived here. The derivations of the others should be apparent by observation. The purpose of the preamplifier's first stage is to produce the transfer function:

$$A_V(s) = A_V(\text{dc}) \frac{(3.18 \times 10^{-4} + 1)}{(3.18 \times 10^{-3} + 1)} \quad (8)$$

where $A_V(\text{dc})$ is the dc gain of the first stage.

The actual first stage transfer function is (ignoring C_0):

$$A_V(s) = \frac{sC_1(R_0R_1 + R_1R_2) + R_0 + R_1 + R_2}{sC_1R_0R_1 + R_0}$$

$$= \left[\frac{R_0 + R_1 + R_2}{R_0} \right] \left[\frac{sC_1 \frac{(R_0R_1 + R_1R_2)}{R_0 + R_1 + R_2} + 1}{sC_1R_1 + 1} \right] \quad (9)$$

Equating terms, we have:

$$\frac{C_1(R_0R_1 + R_1R_2)}{R_0 + R_1 + R_2} = 3.18 \times 10^{-4} \quad (10)$$

$$C_1R_1 = 3.18 \times 10^{-3} \quad (11)$$

$$A_V(\text{dc}) = \frac{R_0 + R_1 + R_2}{R_0} \quad (12)$$

Note that Equation (11) is equivalent to Equation (2) on page three.

From Equation (10) and Equation (11) we have:

$$\frac{C_1R_1(R_0 + R_2)}{R_0 + R_1 + R_2} = \frac{C_1R_1}{10} \quad (13)$$

Therefore:

$$\frac{R_0 + R_1 + R_2}{R_0 + R_2} = 10 \quad (14)$$

$$\frac{R_1}{R_0 + R_2} = 9 \quad (15)$$

$$\text{and } R_2 = \frac{R_1}{9} - R_0 \quad (16)$$

Equation (16) is equivalent to design Equation (3) on page three.

Combining Equation (12) and Equation (16),

$$A_V(\text{dc}) = \frac{R_0 + R_1 + R_2}{R_0} = \frac{R_1(1 + 1/9)}{R_0} \quad (17)$$

Finally, solving for R_1 and using $A_V(\text{dc}) = 8.9535A_V(1 \text{ kHz})$ yields:

$$R_1 = \frac{R_0 A_V(\text{dc})}{10/9} = 0.9R_0 A_V(\text{dc}) = 8.058A_V(1 \text{ kHz}) R_0, \quad (18)$$

which is equivalent to Equation (1) on page three.

Appendix II: Standard E96 (1%) Resistor Values

Standard Resistor Values (E-96 Series)

10.0	13.3	17.8	23.7	31.6	42.2	56.2	75.0
10.2	13.7	18.2	24.3	32.4	43.2	57.6	76.8
10.5	14.0	18.7	24.9	33.2	44.2	59.0	78.7
10.7	14.3	19.1	25.5	34.0	45.3	60.4	80.6
11.0	14.7	19.6	26.1	34.8	46.4	61.9	82.5
11.3	15.0	20.0	26.7	35.7	47.5	63.4	84.5
11.5	15.4	20.5	27.4	36.5	48.7	64.9	86.6
11.8	15.8	21.0	28.0	37.4	49.9	66.5	88.7
12.1	16.2	21.5	28.7	38.3	51.1	68.1	90.9
12.4	16.5	22.1	29.4	39.2	52.3	69.8	93.1
12.7	16.9	22.6	30.1	40.2	53.6	71.5	95.3
13.0	17.4	23.2	30.9	41.2	54.9	73.2	97.6

Notes

LIFE SUPPORT POLICY

NATIONAL'S PRODUCTS ARE NOT AUTHORIZED FOR USE AS CRITICAL COMPONENTS IN LIFE SUPPORT DEVICES OR SYSTEMS WITHOUT THE EXPRESS WRITTEN APPROVAL OF THE PRESIDENT AND GENERAL COUNSEL OF NATIONAL SEMICONDUCTOR CORPORATION. As used herein:

1. Life support devices or systems are devices or systems which, (a) are intended for surgical implant into the body, or (b) support or sustain life, and whose failure to perform when properly used in accordance with instructions for use provided in the labeling, can be reasonably expected to result in a significant injury to the user.
2. A critical component is any component of a life support device or system whose failure to perform can be reasonably expected to cause the failure of the life support device or system, or to affect its safety or effectiveness.



National Semiconductor Corporation
Americas
Email: support@nsc.com

www.national.com

National Semiconductor Europe

Fax: +49 (0) 180-530 85 86
Email: europe.support@nsc.com
Deutsch Tel: +49 (0) 69 9508 6208
English Tel: +44 (0) 870 24 0 2171
Français Tel: +33 (0) 1 41 91 8790

National Semiconductor Asia Pacific Customer Response Group

Tel: 65-2544466
Fax: 65-2504466
Email: ap.support@nsc.com

National Semiconductor Japan Ltd.

Tel: 81-3-5639-7560
Fax: 81-3-5639-7507

IMPORTANT NOTICE

Texas Instruments Incorporated and its subsidiaries (TI) reserve the right to make corrections, modifications, enhancements, improvements, and other changes to its products and services at any time and to discontinue any product or service without notice. Customers should obtain the latest relevant information before placing orders and should verify that such information is current and complete. All products are sold subject to TI's terms and conditions of sale supplied at the time of order acknowledgment.

TI warrants performance of its hardware products to the specifications applicable at the time of sale in accordance with TI's standard warranty. Testing and other quality control techniques are used to the extent TI deems necessary to support this warranty. Except where mandated by government requirements, testing of all parameters of each product is not necessarily performed.

TI assumes no liability for applications assistance or customer product design. Customers are responsible for their products and applications using TI components. To minimize the risks associated with customer products and applications, customers should provide adequate design and operating safeguards.

TI does not warrant or represent that any license, either express or implied, is granted under any TI patent right, copyright, mask work right, or other TI intellectual property right relating to any combination, machine, or process in which TI products or services are used. Information published by TI regarding third-party products or services does not constitute a license from TI to use such products or services or a warranty or endorsement thereof. Use of such information may require a license from a third party under the patents or other intellectual property of the third party, or a license from TI under the patents or other intellectual property of TI.

Reproduction of TI information in TI data books or data sheets is permissible only if reproduction is without alteration and is accompanied by all associated warranties, conditions, limitations, and notices. Reproduction of this information with alteration is an unfair and deceptive business practice. TI is not responsible or liable for such altered documentation. Information of third parties may be subject to additional restrictions.

Resale of TI products or services with statements different from or beyond the parameters stated by TI for that product or service voids all express and any implied warranties for the associated TI product or service and is an unfair and deceptive business practice. TI is not responsible or liable for any such statements.

TI products are not authorized for use in safety-critical applications (such as life support) where a failure of the TI product would reasonably be expected to cause severe personal injury or death, unless officers of the parties have executed an agreement specifically governing such use. Buyers represent that they have all necessary expertise in the safety and regulatory ramifications of their applications, and acknowledge and agree that they are solely responsible for all legal, regulatory and safety-related requirements concerning their products and any use of TI products in such safety-critical applications, notwithstanding any applications-related information or support that may be provided by TI. Further, Buyers must fully indemnify TI and its representatives against any damages arising out of the use of TI products in such safety-critical applications.

TI products are neither designed nor intended for use in military/aerospace applications or environments unless the TI products are specifically designated by TI as military-grade or "enhanced plastic." Only products designated by TI as military-grade meet military specifications. Buyers acknowledge and agree that any such use of TI products which TI has not designated as military-grade is solely at the Buyer's risk, and that they are solely responsible for compliance with all legal and regulatory requirements in connection with such use.

TI products are neither designed nor intended for use in automotive applications or environments unless the specific TI products are designated by TI as compliant with ISO/TS 16949 requirements. Buyers acknowledge and agree that, if they use any non-designated products in automotive applications, TI will not be responsible for any failure to meet such requirements.

Following are URLs where you can obtain information on other Texas Instruments products and application solutions:

Products

Audio	www.ti.com/audio
Amplifiers	amplifier.ti.com
Data Converters	dataconverter.ti.com
DLP® Products	www.dlp.com
DSP	dsp.ti.com
Clocks and Timers	www.ti.com/clocks
Interface	interface.ti.com
Logic	logic.ti.com
Power Mgmt	power.ti.com
Microcontrollers	microcontroller.ti.com
RFID	www.ti-rfid.com
OMAP Mobile Processors	www.ti.com/omap
Wireless Connectivity	www.ti.com/wirelessconnectivity

Applications

Communications and Telecom	www.ti.com/communications
Computers and Peripherals	www.ti.com/computers
Consumer Electronics	www.ti.com/consumer-apps
Energy and Lighting	www.ti.com/energy
Industrial	www.ti.com/industrial
Medical	www.ti.com/medical
Security	www.ti.com/security
Space, Avionics and Defense	www.ti.com/space-avionics-defense
Transportation and Automotive	www.ti.com/automotive
Video and Imaging	www.ti.com/video

TI E2E Community Home Page

e2e.ti.com

Mailing Address: Texas Instruments, Post Office Box 655303, Dallas, Texas 75265
Copyright © 2011, Texas Instruments Incorporated