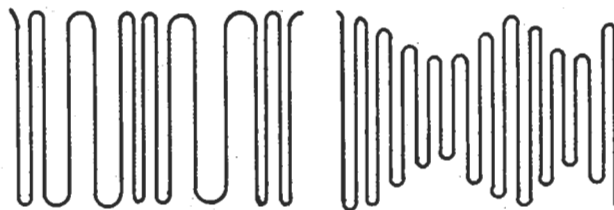


# Quiz of Audio Basics

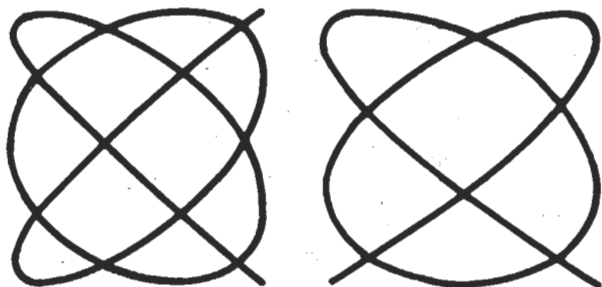
BY ROBERT P. BALIN

**1** Which of these audio waveforms indicates the use of tremolo and which is vibrato?



A

B

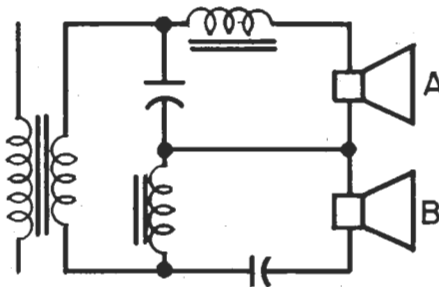


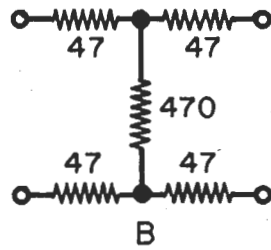
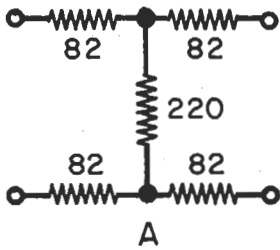
A

B

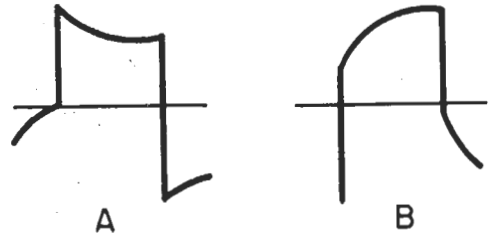
**2** If the vertical frequency used to produce these Lissajous patterns is 1000 Hz, which has a horizontal frequency of 1200 Hz and which is 1250 Hz?

**3** With this crossover network, which speaker is the woofer and which the tweeter?

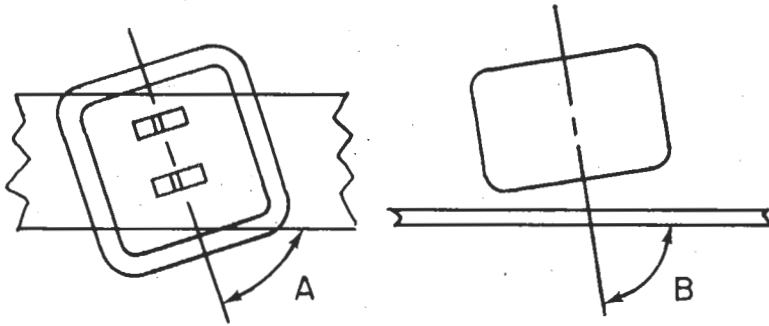




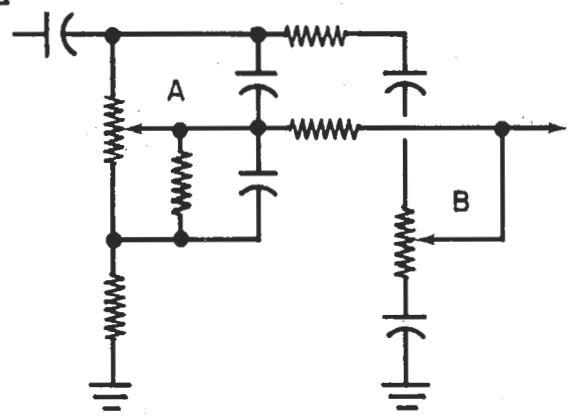
**4** Of these 300-ohm attenuator pads, which produces a 6-dB signal voltage loss and which a 12-dB loss?



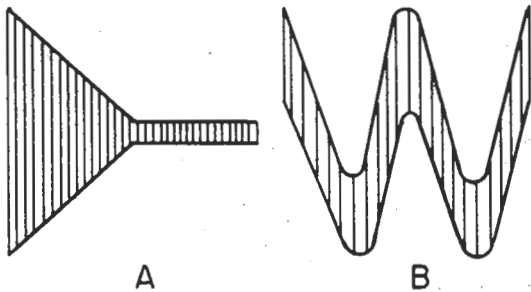
**5** Which of these square-wave audio test signals indicates low-frequency attenuation and which high-frequency?



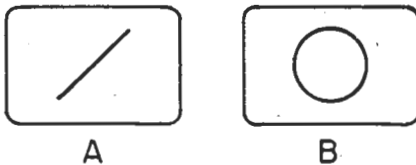
**6** Which tape-head condition produces an azimuth error and which a zenith error?



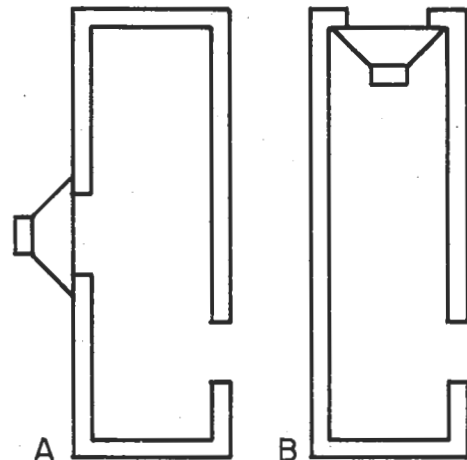
**7** In this phono-amplifier tone control circuit, which pot is for treble and which is for bass?



**8** Which audio test signal has been affected by intermodulation and which by overmodulation?



**9** Which scope pattern indicates that two audio sine waves are in phase and which that they are 90° out of phase?



**10** Which speaker baffle is known as a resonant column and which as an air coupler?

## POPULAR ELECTRONICS

### ANSWERS

1. Tremolo, B; vibrator A.
2. 1200 Hz, A; 1250 Hz, B.
3. Woofer, A; tweeter, B.

4. 6-dB, B; 12 dB, A.
5. Low-frequency, A; high, B.
6. Azimuth, A; Zenith, B.
7. Treble, B, bass, A.

8. Intermodulation, B; over, A.
9. In phase, A; 90° out, B.
10. Column, B; coupler, A.