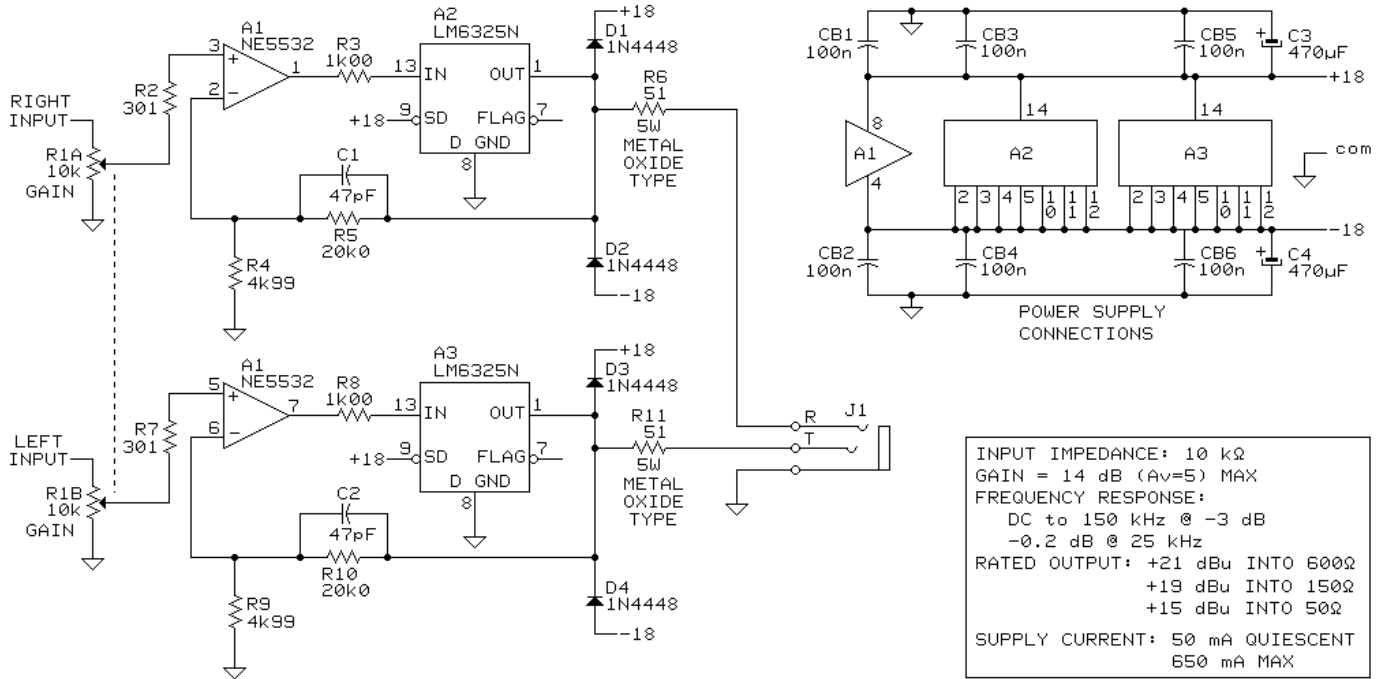


STEREO HEADPHONE DRIVER USES LM6325 CURRENT BOOSTER



INPUT IMPEDANCE: 10 kΩ
 GAIN = 14 dB (Av=5) MAX
 FREQUENCY RESPONSE:
 DC to 150 kHz @ -3 dB
 -0.2 dB @ 25 kHz
 RATED OUTPUT: +21 dBu INTO 600Ω
 +19 dBu INTO 150Ω
 +15 dBu INTO 50Ω
 SUPPLY CURRENT: 50 mA QUIESCENT
 650 mA MAX

NOTES :

1. ALL RESISTORS ARE ±1% 1/4w METAL FILM TYPES, ROEDERSTEIN MK2-1 OR EQUIVALENT
2. CBx CAPACITORS ARE MULTILAYER CERAMICS WITH LEADS AS SHORT AS POSSIBLE
 ALL OTHER CAPACITORS ARE POLYPROPYLENE, POLYSTYRENE, OR NP0/C0G CERAMIC TYPES
3. USE GOOD HIGH FREQUENCY CONSTRUCTION TECHNIQUES. USE OF POWER & GROUND PLANES IS HIGHLY RECOMMENDED.
4. A2 & A3 PASS HEAT THROUGH PINS 3, 4, 5, 10, 11 & 12. SOLDER THESE PINS TO AT LEAST 2 SQ IN OF 2 OZ COPPER.

© COPYRIGHT 1994, 1995 JENSEN TRANSFORMERS, INC.

jensen	AS044
	09/18/95
7135 HAYVENHURST AVE. VAN NUYS, CALIFORNIA 91406 (818) 374-5857	