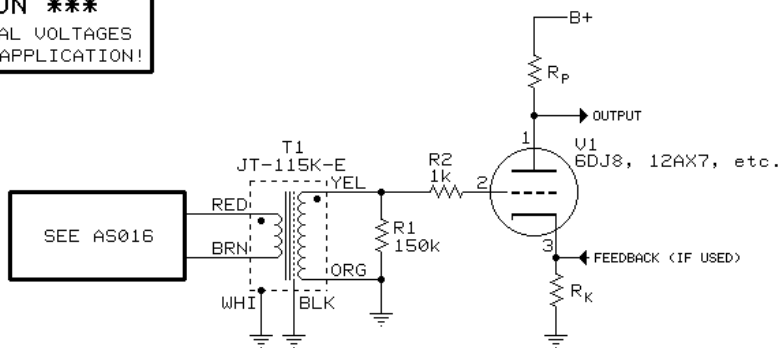


JT-115K-E TUBE MICROPHONE PREAMP GENERIC INPUT STAGE

***** CAUTION *****
 POTENTIALLY LETHAL VOLTAGES
 ARE USED IN THIS APPLICATION!



NOTES

- RESISTORS R1 AND R2 ARE ±1% 1/4w METAL FILM TYPES, ROEDERSTEIN MK2-1 OR EQUIVALENT
- RESISTORS Rp AND Rk SHOULD BE WIREWOUND OR METAL FOIL TYPES TO REDUCE EXCESS NOISE CONTRIBUTION
- ALL RESISTORS IN OHMS (6k81 = 6.81k, 68r1 = 68.1)
- RESISTOR R2 SHOULD BE MOUNTED AS CLOSE AS POSSIBLE TO U1 TO PREVENT POSSIBLE SPURIOUS VHF OSCILLATIONS
- U1 SOCKET SHOULD BE HIGH QUALITY NON-HYGROSCOPIC TYPE, SUCH AS PORCELAIN, FOR LOWEST NOISE
- USE OF VERY CLEAN DC POWER FOR PLATE AND HEATER IS HIGHLY RECOMMENDED
- IF T1 IS NEAR A POWER TRANSFORMER, CONSIDER USING THE TRIPLE MAGNETIC SHIELDED VERSION, THE JT-115K-E90

jensen	AS020
	03/13/2000
7135 HAYVENHURST AVE. VAN NUYS, CALIFORNIA 91406 (818) 374-5857	