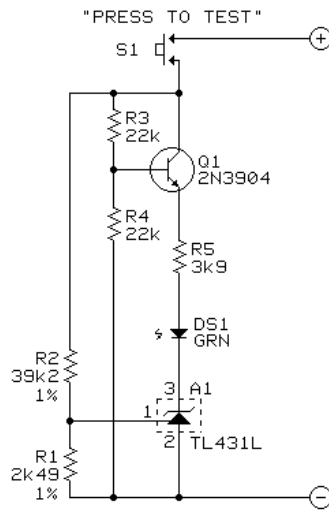


PHANTOM POWER BATTERY TEST CIRCUIT



1. AS SHOWN, LED WILL LIGHT IF BATTERY IS OVER 42 VOLTS. THRESHOLD WILL INCREASE ABOUT 1 VOLT PER 1 k Ω INCREASE IN R2.
2. CURRENT DRAIN IS ABOUT 7 mA WITH BUTTON PRESSED.
3. DS1 IS HIGH-EFFICIENCY LOW CURRENT GREEN LED, HEWLETT PACKARD #HLMP-1790. A1 IS MADE BY TEXAS INSTRUMENTS, MOTOROLA, AND OTHERS. Q1 CAN BE ANY GENERAL PURPOSE NPN TRANSISTOR RATED FOR BV_{CE0} OVER 25 VOLTS.

jensen	AS038
	02/25/93
7135 HAYVENHURST AVE. VAN NUYS, CALIFORNIA 91406 (818) 374-5857	

© COPYRIGHT 1992, 1995 JENSEN TRANSFORMERS, INC.