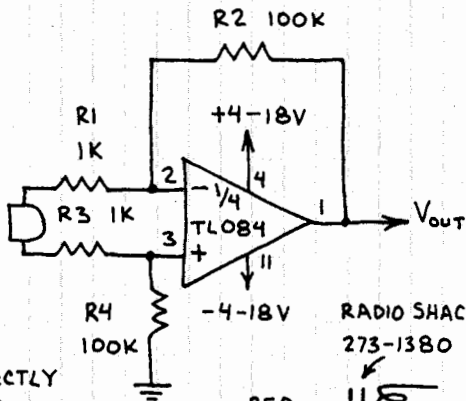


LOW-Z PREAMPLIFIER

USE LOW
IMPEDANCE
(LOW-Z)
MICROPHONE



OK TO USE
8Ω SPKR AS
MICROPHONE.
CONNECT DIRECTLY
TO INPUTS (POOR
TO FAIR) OR USE
TRANSFORMER (GOOD):

