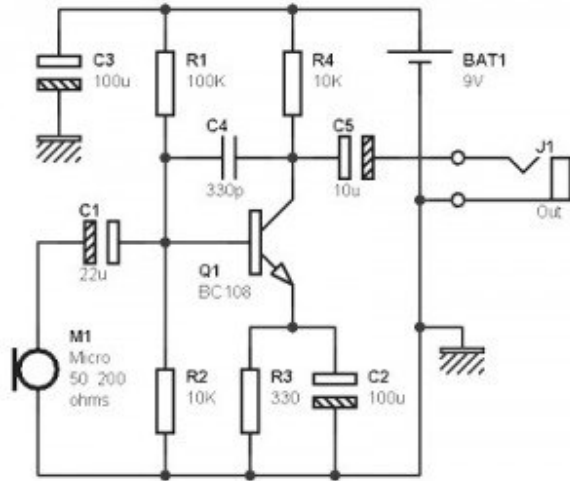


[Mono Preamp Mic based BC108 Transistor](#)



The microphone preamp based transistor described here is powered by 9 V and less than 1 mA current consumption, it will allow you to use a small 9 V rectangular conventional battery for several hours.

Read More: [Mono Preamp Mic based BC108 Transistor](#)