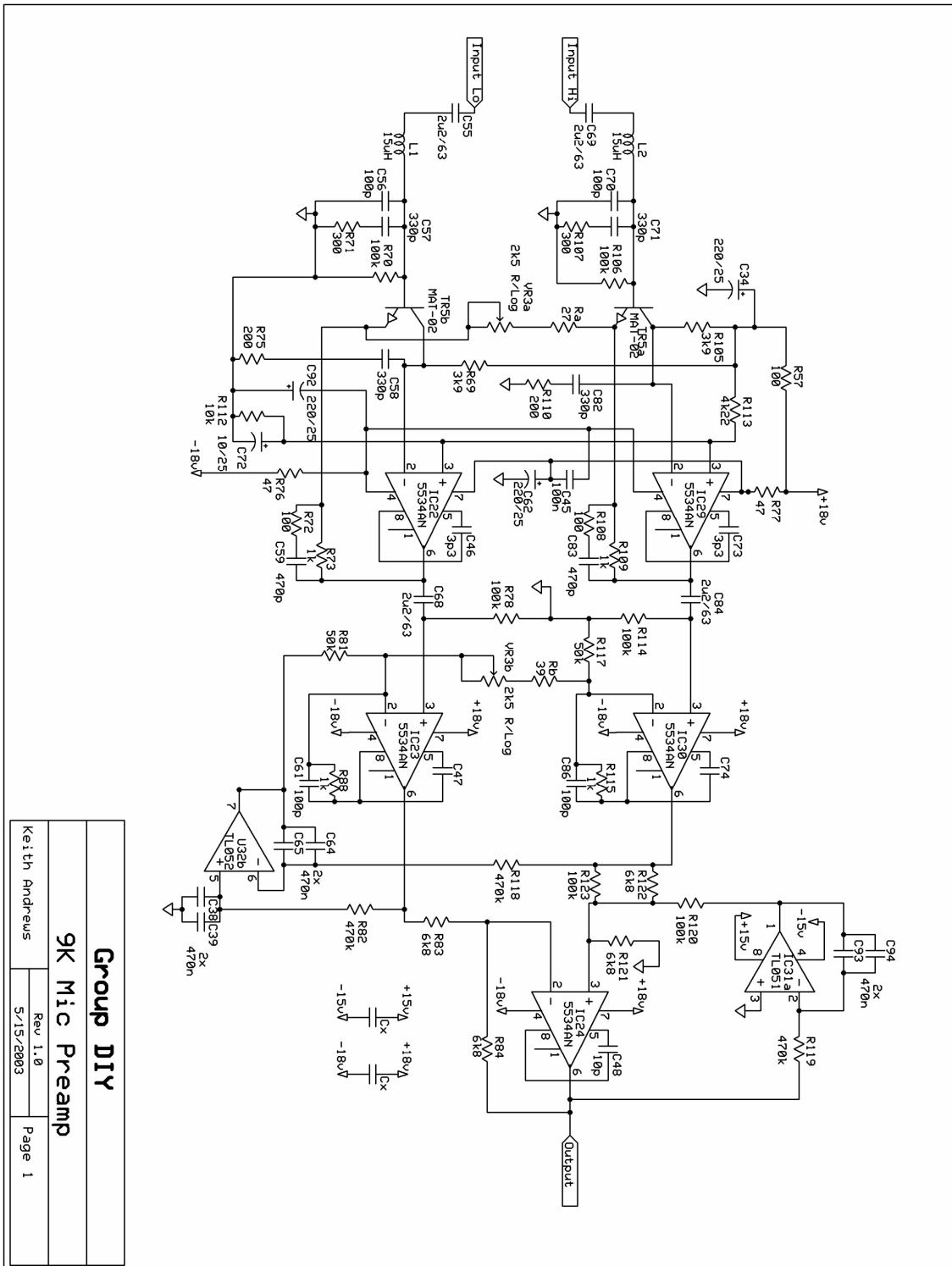


# Keith DIY 9k Preamp

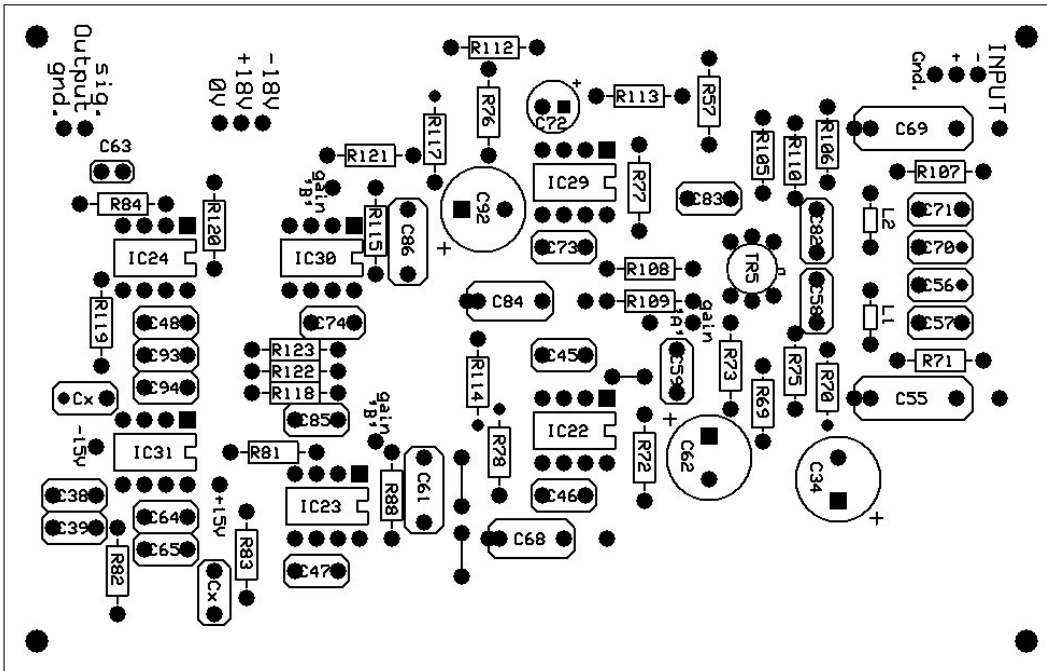
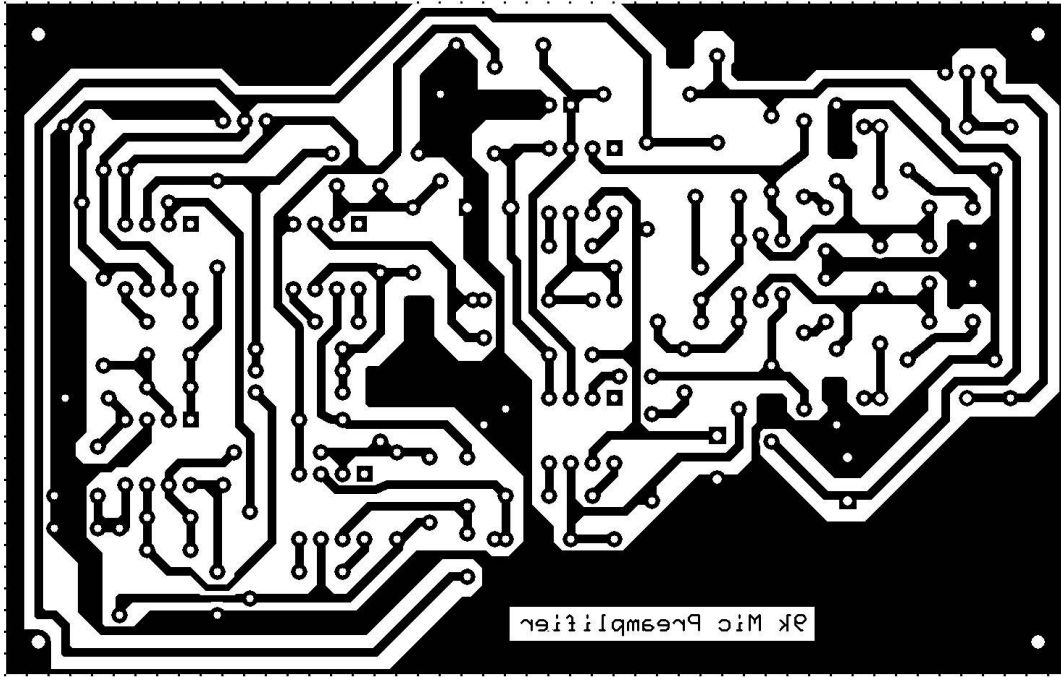
w/ Power Supply - 2 Channel Line Out balancer

# 1. Preamp stage

## 1.1. Schematics



# 1.2.PCB Layout



## 1.3.Parts list

### Capacitors

C38	470nF
C39	470nF
C45	100nF
C46	3.3pF
C47	3.3pF
C48	10pF
C55	2.2uF
C56	100pF
C57	330pF
C58	330pF
C59	470pF
C61	100pF
C64	470nF
C65	470nF
C68	2.2uF/63V
C69	2.2uF
C70	100pF
C71	330pF
C73	3.3pF
C74	3.3pF
C82	330pF
C83	470pF
C84	2.2uF/63V
C86	100pF
C93	470nF
C94	470nF

### Electrolitic Capacitors

C34	220uF/25V
C62	220uF/25V
C72	10uF/25V
C92	220uF/25V

### Transistors

TR5	MAT-02
-----	--------

### IC's

IC22	5534AN
IC23	5534AN
IC24	5534AN
IC29	5534AN
IC30	5534AN
IC31a	TL052
IC32b	TL052 (the same IC)

### Inductors

L1	15uH
L2	15uH

### Resistors

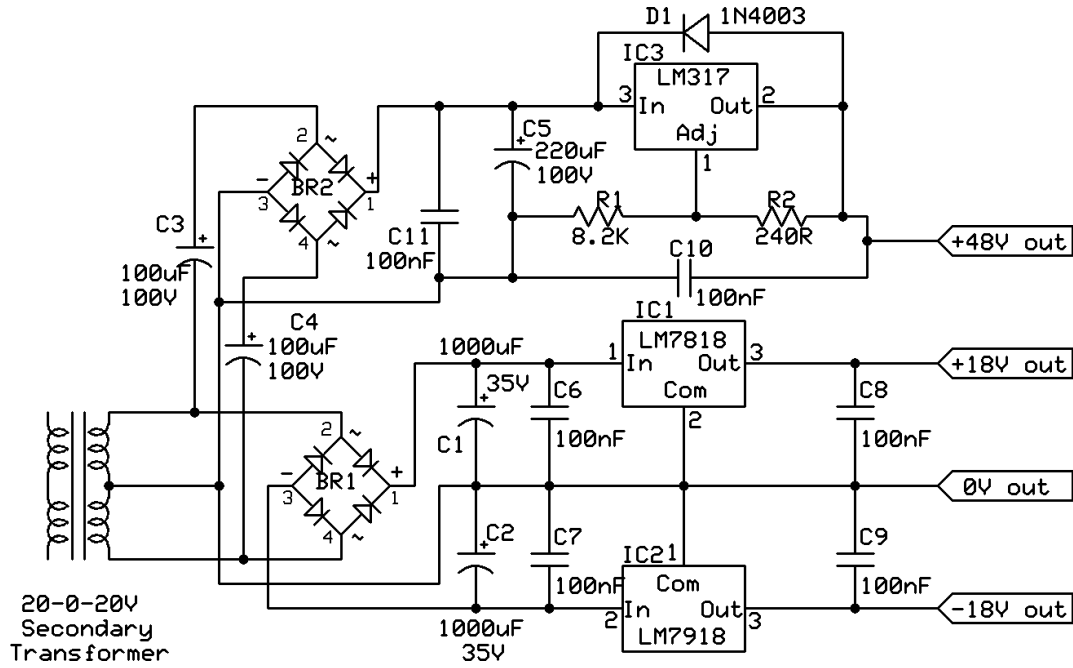
R57	100	
R69	3.9K	
R70	100K	
R71	300	
R72	100	
R73	1K	
R75	200	
R76	47	
R77	47	
R78	100K	
R81	50K	
R82	470K	
R83	6.8K	
R84	6.8K	
R88	1K	
R105	3.9K	
R106	100K	
R107	300	
R108	100	
R109	1K	
R110	200	
R112	10K	
R113	4.22K	
R114	100K	
R115	1K	
R117	50K	
R118	470K	
R119	470K	
R120	100K	
R121	6.8K	
R122	6.8K	
R123	100K	
Ra	27	
Rb	39	
Rp1	6.81K	film resistor
Rp2	6.81K	film resistor
VR3AB	2.5K LOG B / 2 DECK / COAX	

### Unspecified

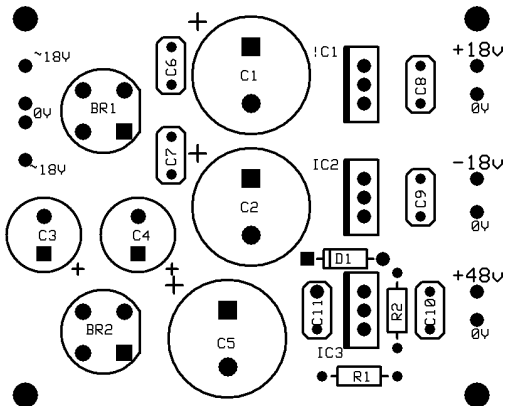
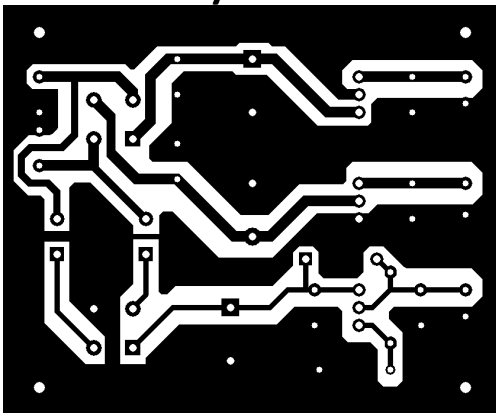
Cx	100nF
----	-------

## 2. Power Supply

### 2.1. Schematics



### 2.2. PCB Layout



## 2.3. Parts list

### Trafos

Tr1            20-0-20V

### Resistors

R1            8.2K

R2            240

### Capacitors

C1            1000uF/35V

C2            1000uF/35V

C3            100uF/100V

C4            100uF/100V

C5            220uF/100V

C6-11        6x100uF

### Bridges

Br1-2        ???

### IC's

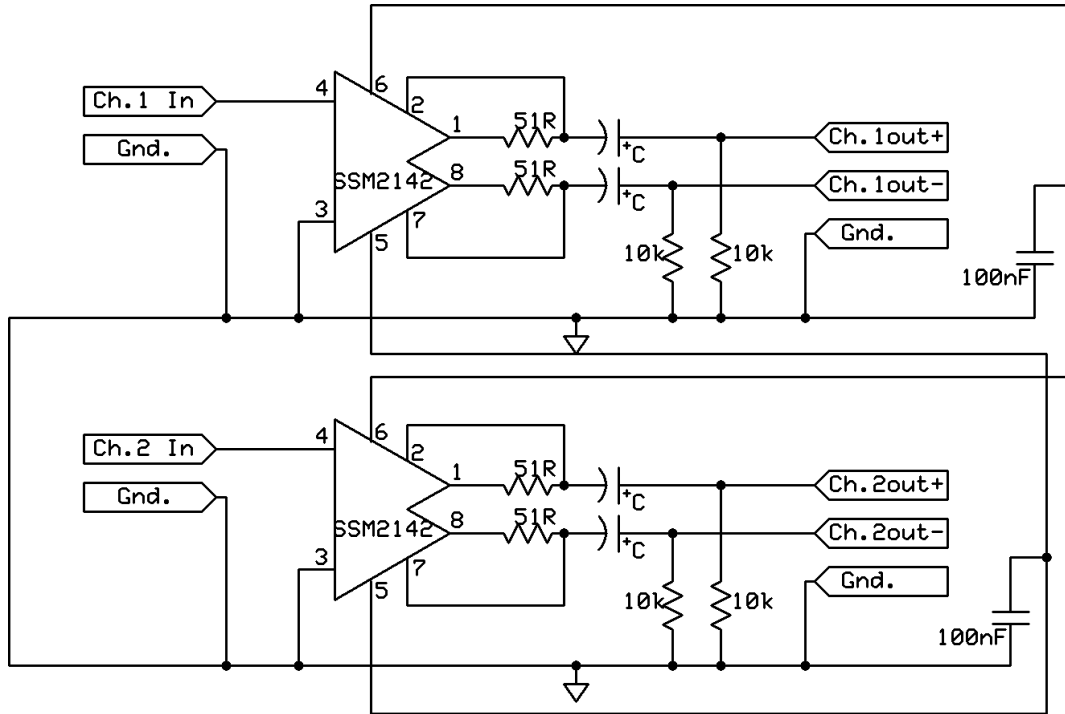
IC1           LM7818        TO-220

IC2           LM7918        TO-220

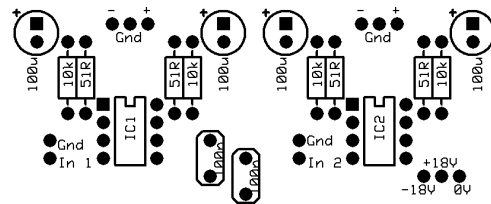
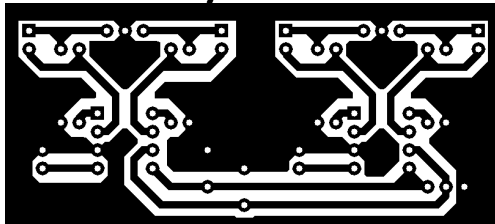
IC3           LM317         TO-220

### 3. Two Channel Line Out Balancer

#### 3.1. Schematics



#### 3.2. PCB Layout



#### 3.3. Parts list

**Resistors**

- R1-2-5-6      51
- Rr3-4-7-8     10k

**Capacitors**

- C1-2            100nF

**IC's**

- IC1              SSM2142
- IC2              SSM2142