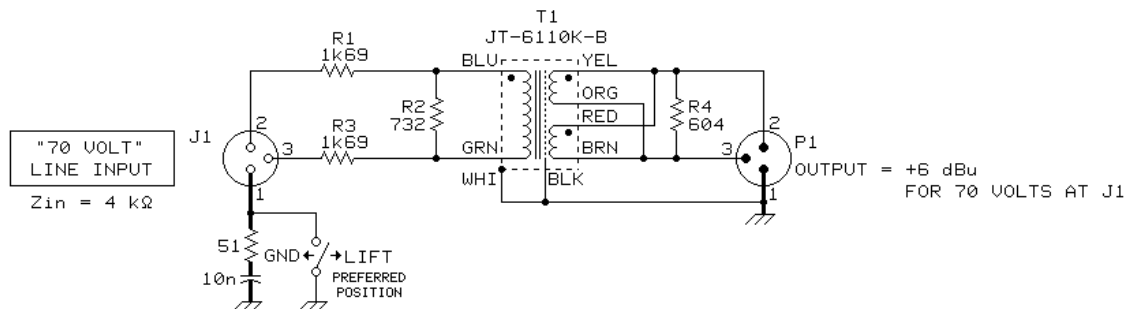


JT-6110K-B ISOLATES "70 V" LINE AND CONVERTS TO LINE LEVEL



NOTES

1. CIRCUIT IS DESIGNED TO DRIVE "BRIDGING" INPUT. IF DESTINATION INPUT IS ALREADY TERMINATED IN 600 Ω, OMIT R4.
2. R1 AND R3 SHOULD BE 1 WATT ±1% METAL FILM TYPES TO HANDLE CONTINUOUS FULL POWER.
3. THE "GROUND LIFT" SWITCH SHOULD NORMALLY BE OPEN, BUT NOISE REJECTION MAY BE IMPROVED IN SOME CASES WITH IT CLOSED.

jensen	AS059
	03/15/94
7135 HAYVENHURST AVE. VAN NUYS, CALIFORNIA 91406 (818) 374-5857	

© COPYRIGHT 1994, JENSEN TRANSFORMERS, INC.