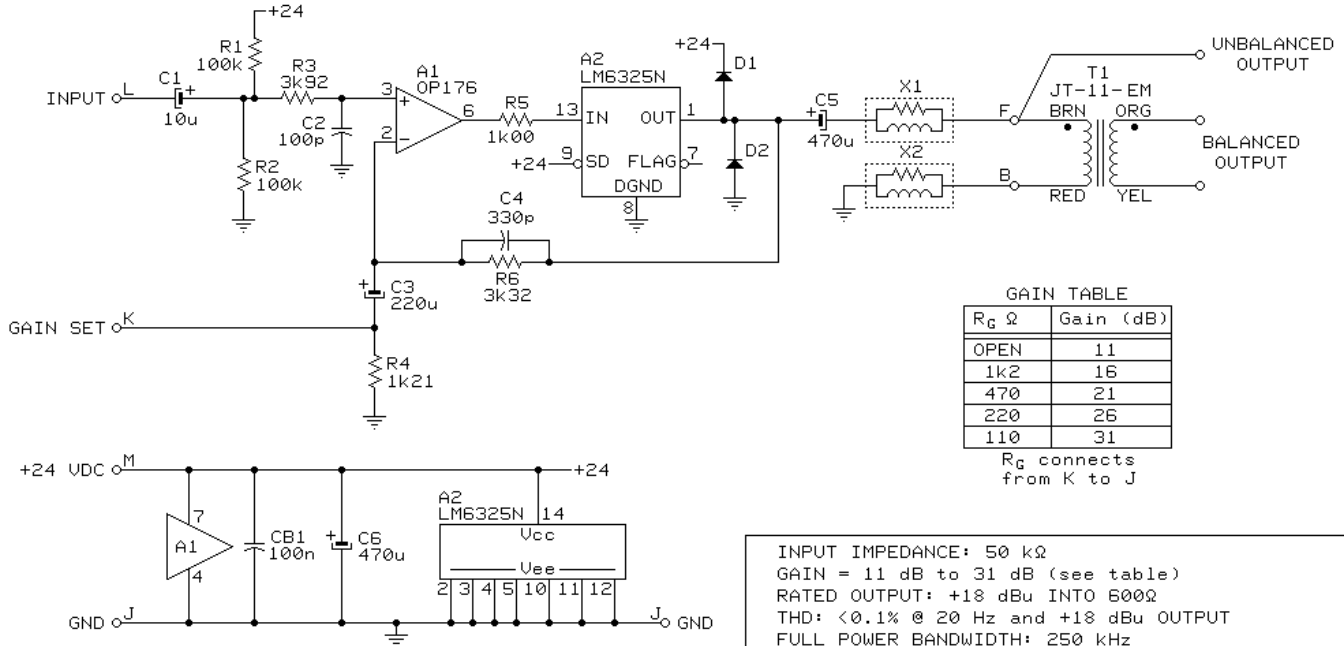


OUTPUT AMPLIFIER TO UPGRADE NEVE BA283AU CIRCUIT BOARD

THIS DRIVER SUITABLE FOR LOADS OF 300Ω MINIMUM AND UP TO 500 FEET OF TYPICAL CABLE (C ≤ 25 nF)



GAIN TABLE

R _G Ω	Gain (dB)
OPEN	11
1k2	16
470	21
220	26
110	31

R_G connects from K to J

INPUT IMPEDANCE: 50 kΩ
 GAIN = 11 dB to 31 dB (see table)
 RATED OUTPUT: +18 dBu INTO 600Ω
 THD: <0.1% @ 20 Hz and +18 dBu OUTPUT
 FULL POWER BANDWIDTH: 250 kHz
 OUTPUT IMPEDANCE: 80 Ω, 20 Hz TO 20 kHz
 SUPPLY CURRENT: 20 mA QUIESCENT, 300 mA MAX

NOTES :

1. ALL RESISTORS ARE ±1% 1/4w METAL FILM TYPES, ROEDERSTEIN MK2-1 OR EQUIVALENT
2. D1 AND D2 ARE HIGH CONDUCTANCE DIODES, SUCH AS 1N4448
3. C2 AND C4 ARE POLYPROPYLENE, POLYSTYRENE, OR NP0/C0G CERAMIC TYPES
4. X1 AND X2 ARE OUTPUT LOAD ISOLATORS, JENSEN #JT-OLI-3
5. A2 USES V_{ee} PINS FOR HEAT TRANSFER TO PC BOARD. ALLOW AT LEAST 2 SQUARE INCHES OF SOLID COPPER AREA AS A HEATSINK.
6. USE GOOD HIGH FREQUENCY CONSTRUCTION TECHNIQUES. USE OF POWER & GROUND PLANES IS HIGHLY RECOMMENDED.

© COPYRIGHT 1995, 1997 JENSEN TRANSFORMERS, INC.

jensen	AS084
	11/18/97
7135 HAYVENHURST AVE. VAN NUYS, CALIFORNIA 91406 (818) 374-5857	