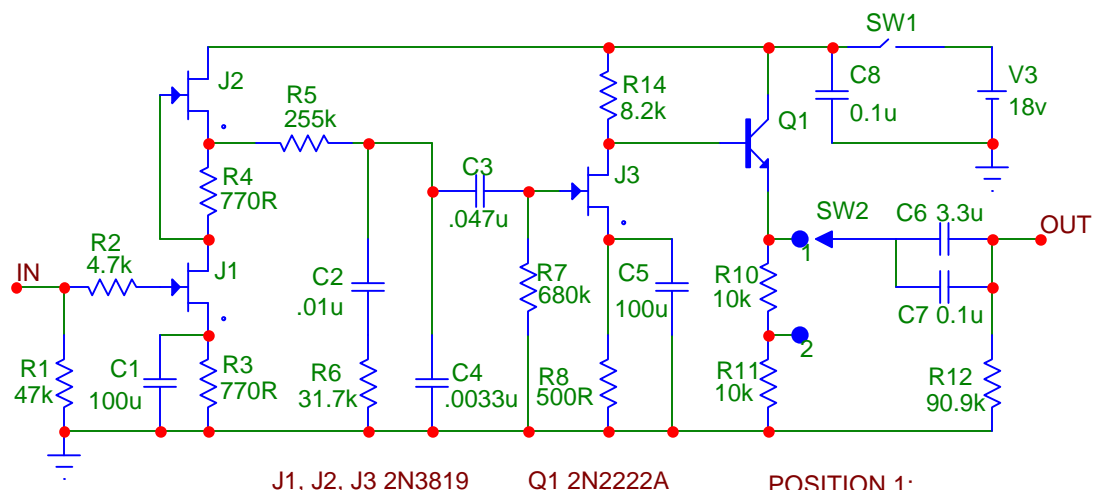


JFET Phono-Stage
 Richard F Sears Jan 2001



J1, J2, J3 2N3819 Q1 2N2222A

POSITION 1:
 Gain at 1 kHz = 52dB
 POSITION 2:
 -12dB Assuming
 Sound Card input
 Z = 10k