



DIY Audio Projects

learn • build • enjoy

info@diyAudioProjects.com

diy http://diyAudioProjects.com



[DIY Audio Projects](#)

[DIY Audio Forum](#)

[DIY Audio Photo Gallery](#)

[DIY Audio Blog](#)

Search

Navigation: [DIY Audio Projects](#) / [DIY Solid State Hi-Fi Audio Projects](#) / [Le Pacific JFET Phono Preamp for MM and MC Cartridges](#)

[DIY Audio Projects](#)

[DIY Tube Projects](#)

[DIY Tube Amp Kits](#)

[DIY Speaker Projects](#)

[Speaker Drivers / Tweeters](#)

[DIY Solid State Projects](#)

[DIY IC / Opamp Projects](#)

[DIY Phono Projects](#)

[DIY Cable Projects](#)

[Misc. Audio Projects](#)

[Hi-Fi Audio Schematics](#)

[Technical Audio Information](#)

[Testing Equipment / Tools](#)

[DIY Audio Links](#)

[Contact / About Us](#)

AdChoices ▶

Special Summer Offer

Flexible Circuit
Prototypes \$900.00
limited time only. Made in
USA.
www.cutflex.com

Calgary Tube Amplifier

Quality Audio Tube
Amplifiers Available. Call
Us At 877-909-0666.
www.LoyaltySound.ca

Sharp's Audio Visual

Canada's Leading AV
Integrator Rentals,
Staging, Digital Signage
www.SharpsAV.com

Mesa Boogie

Still Handbuilt in
Petaluma, CA USA
Premium Tube Amps in
stock at Hugos
www.hugohelmermusic.com

Toroidal Transformers

Standard Toroidal
Transformers
Audio, Medical, Power, Ampl
www.Piltron.com

Le Pacific JFET RIAA Phono Preamplifier

Mark Houston  retro-thermionic@bigpond.com

Select Language

Share

Powered by [Google Translate](#)

Le Pacific JFET RIAA Phono Preamp

This is my DIY build of the [Boozhound Laboratories JFET Phono Preamp](#), but on a stripboard. The BHL preamp is based heavily on the Le Pacific RIAA phono preamplifier circuit shown below for reference.

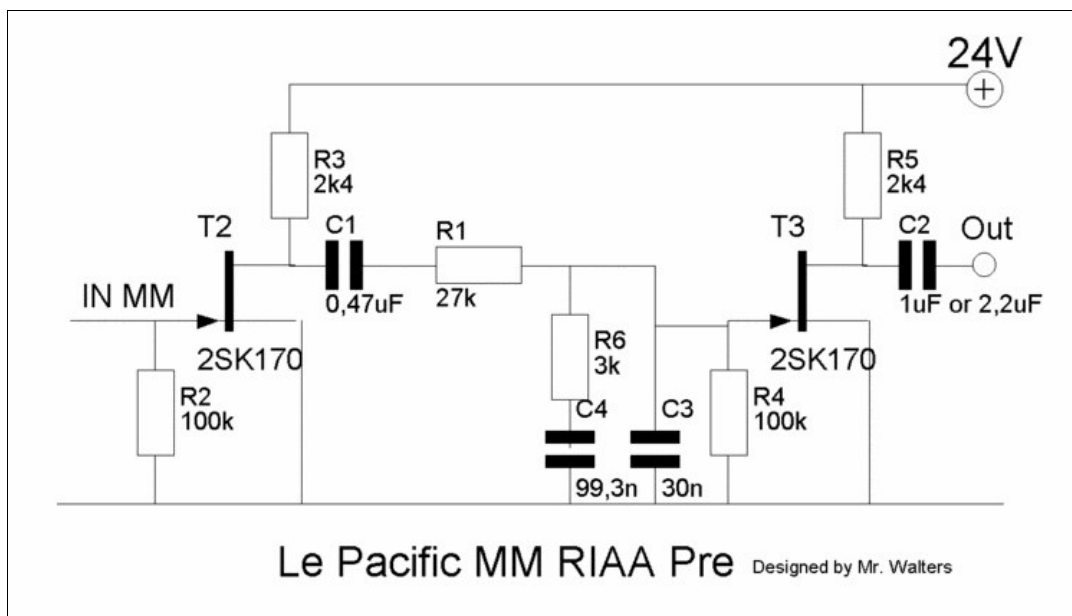
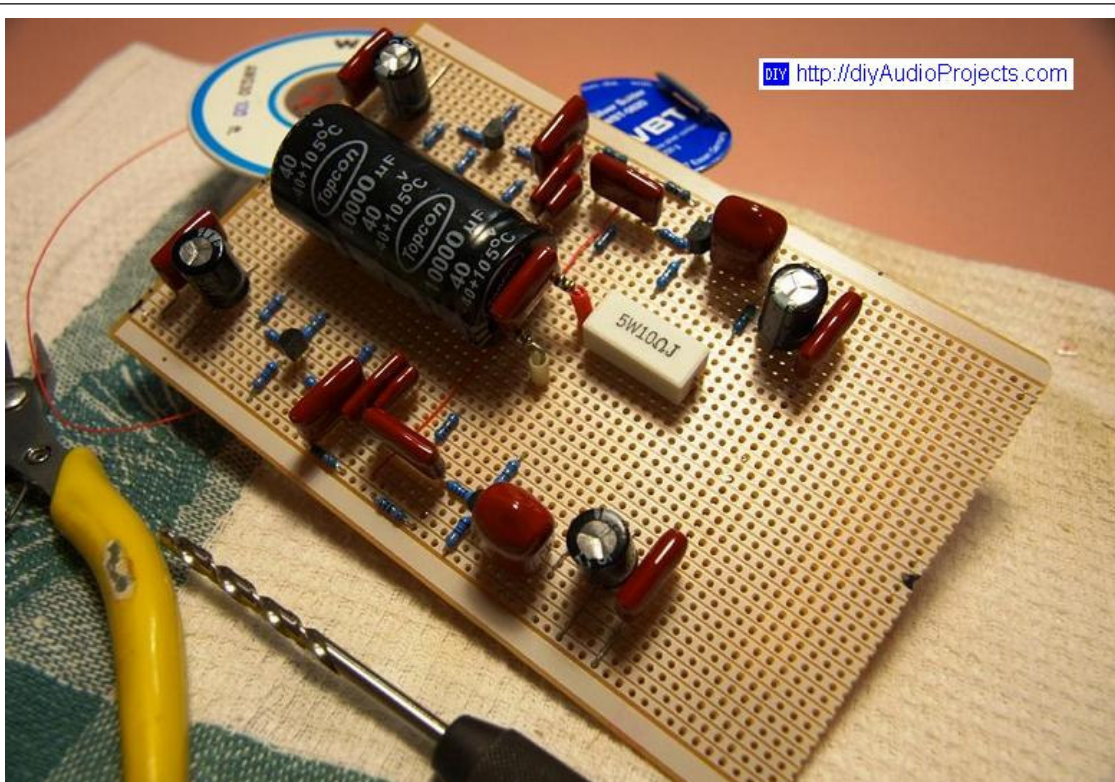
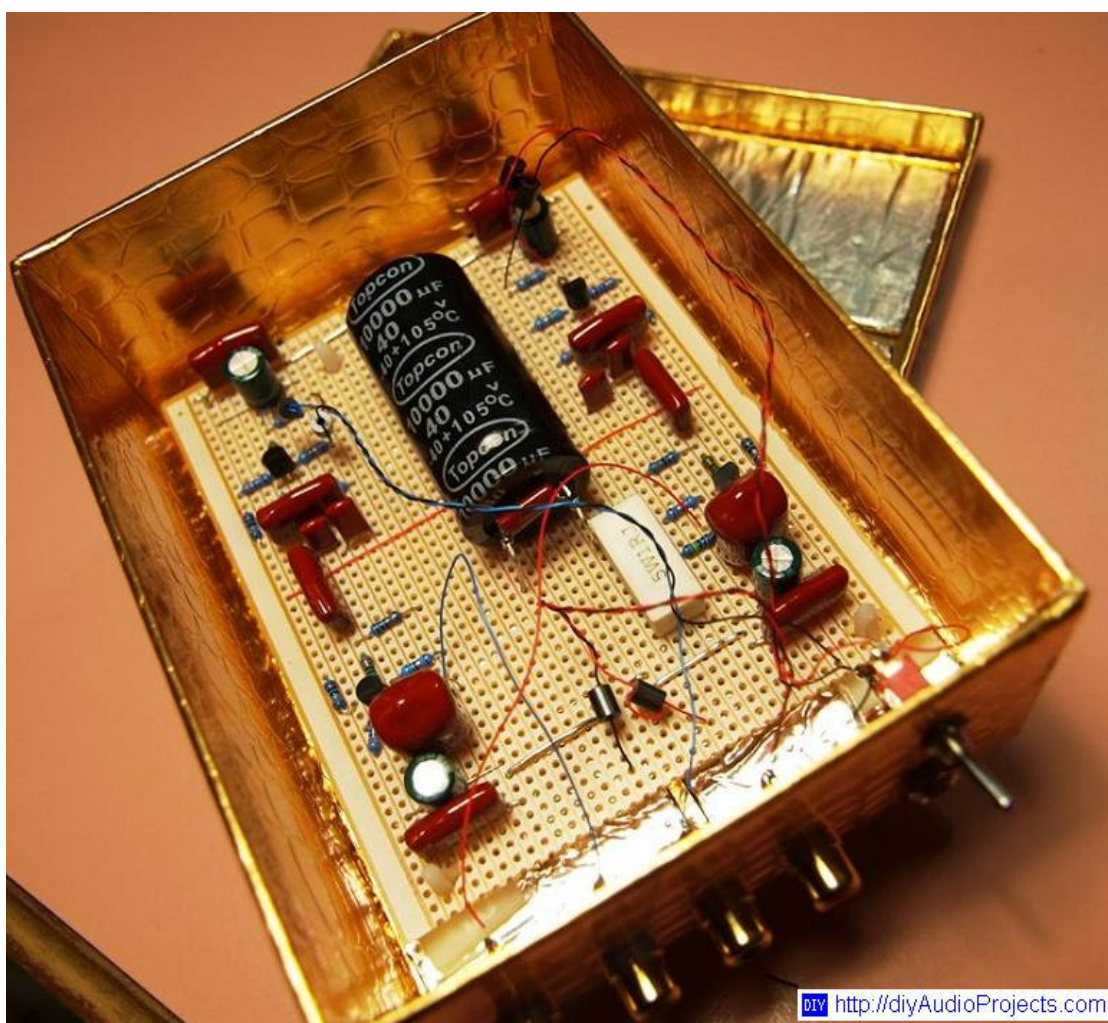


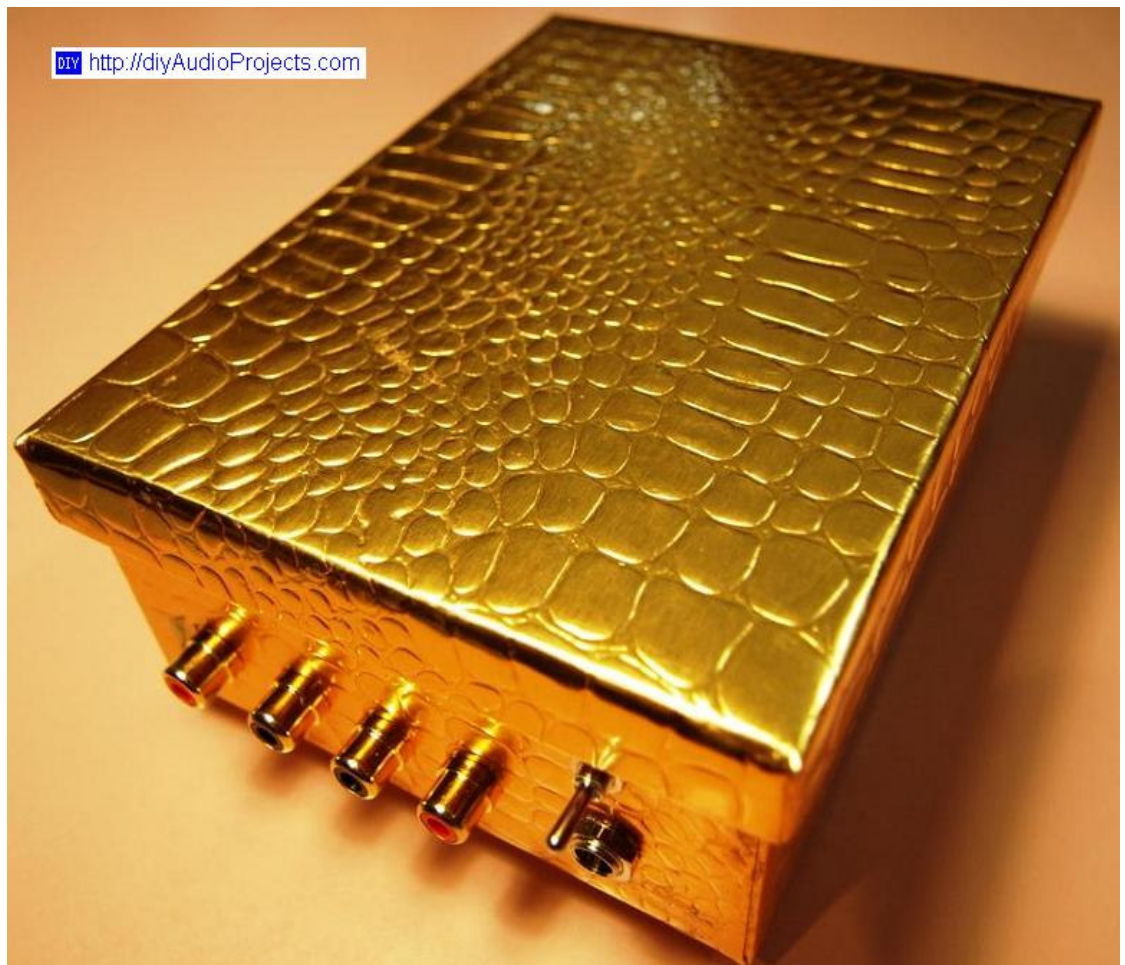
Figure 1: Le Pacific JFET Phono Preamplifier Schematic

This is a strip board construction using brown polypropylene caps from the local electronics store. The large electrolytic capacitor is 10,000uF fed by a 1 ohm resistor. Wire wrap wire is used as hook-up wire. Silver based solder, gold RCAs and all installed in an embossed gold chocolates box. Photographs 1 through 3.

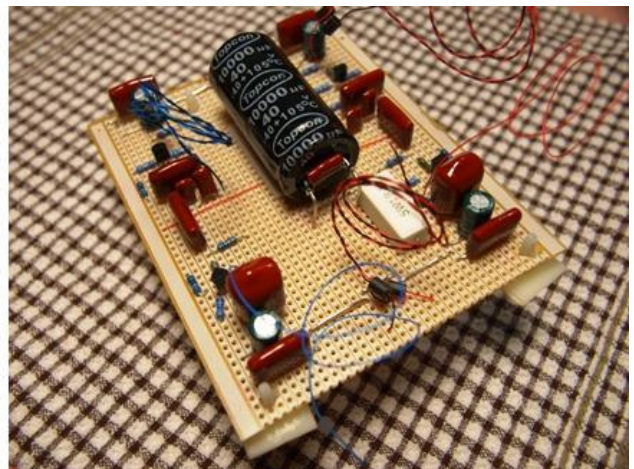


Photograph 1: DIY JFET Phono Preamp on Stripboard



Photograph 2: DIY JFET Phono Preamp on Stripboard**Photograph 3: DIY JFET Phono Preamp in Chocolates Box**

I've now built a number of these simple JFET phono preamplifiers. Photograph 4 below shows another of my DIY JFET RIAA Phono Preamp builds. The equalization circuit is also built on a stripboard and fit into a nice looking Hammond extruded aluminum chassis with a black anodized finish (Photograph 5).

**Photograph 4: DIY JFET RIAA Preamp on Stripboard**



Photograph 5: DIY JFET RIAA Preamp in Hammond Enclosure

Le Pacific PrePre for MC Cartridges

I also like to use Moving Coil (MC) cartridges with my turntable. MC cartridges have a much lower output compared to Moving Magnet (MM) cartridges. MC cartridges typically have an output of less than 1 mV, while the output level of MM cartridges is typically between 2.5 and 7 mV. Therefore you will need some additional gain if you would like to use an MC cartridge with the Le Pacific [Boozhound Labs phono preamp kit](#). The additional gain can be achieved by using [passive phono step-up transformers](#) or you can use an active circuit like the Le Pacific PrePre for MC Cartridges shown below in Figure 2.

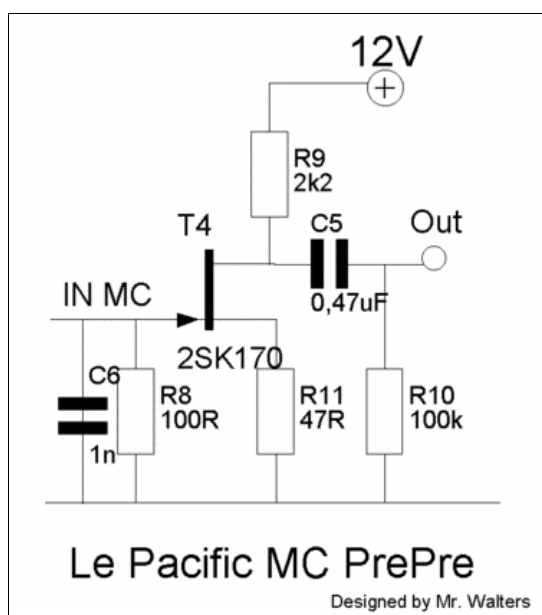
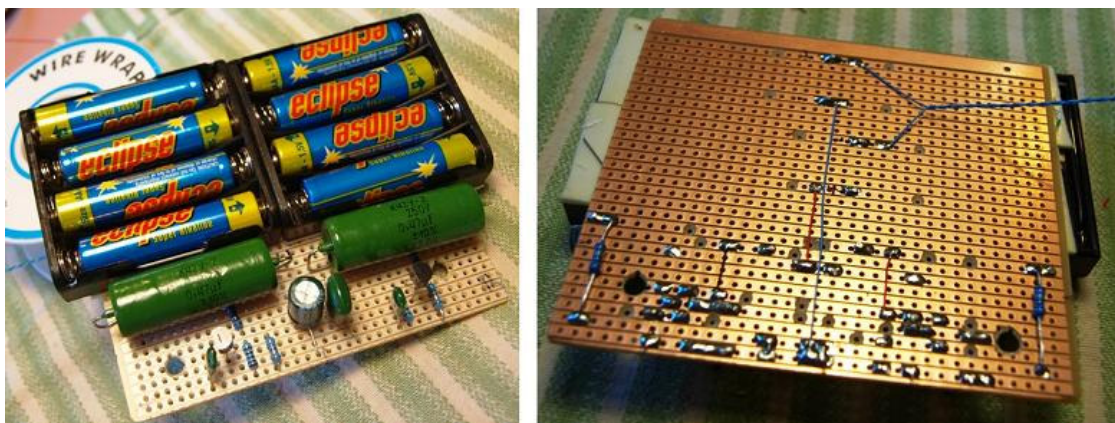


Figure 2: Le Pacific MC PrePre Schematic

The Le Pacific MC PrePre circuit is placed immediately before your phono preamplifier. The MC preamp circuit is ultra simple to construct and like the Le Pacific can be easily built onto a protoboard. I've built a number of the LePacific MC PrePre circuits and have used them in front of both the Le Pacific preamp and the Boozhound Labs phono preamp kit. The PrePre builds have been tested with a two different MC cartridges with an output of 0.35mV and the PrePre circuit works extremely well. The J-FETs are matched 2SK170BL and the output capacitors are NOS Russian military paper-in-oil (PIO) types.



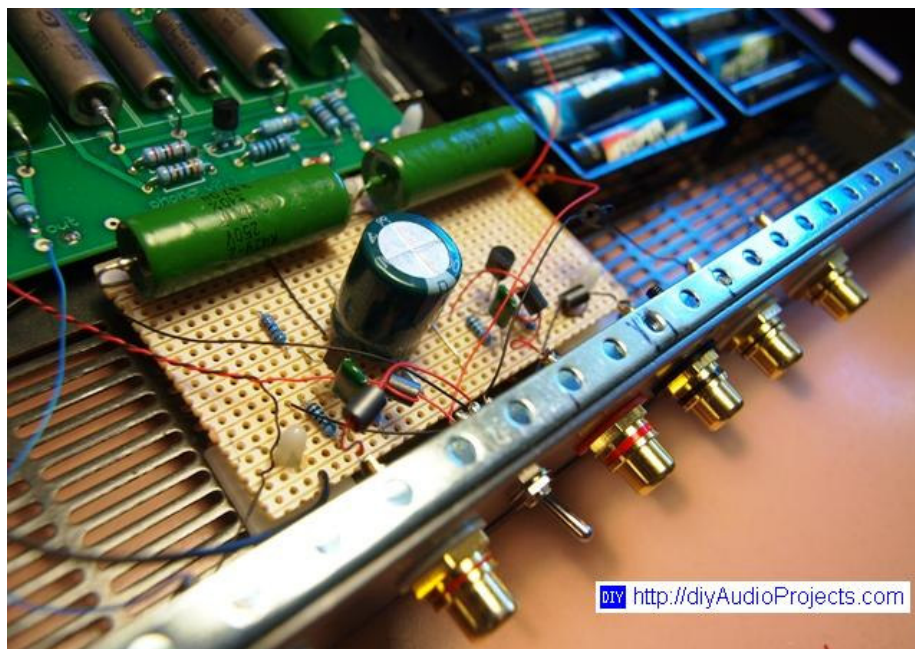
Photograph 6: DIY Le Pacific MC PrePre on Protoboard



Photograph 7: DIY Le Pacific MC PrePre in Aluminum Enclosure

The Hammond cast aluminum enclosure case is painted using Sungold color paint. The MC pre-preamplifier is powered using 8 "AA" batteries to give a clean supply voltage of 12VDC. I made a slight modification to the circuit by adding a 220uF low ESR cap to sit across the 12V battery supply along with a 0.1uF snubber capacitor.

Photograph 8 below shows a Le Pacific MC PrePre circuit which I put in front of the Boozhound Laboratories JFET Phono Preamplifier kit. With the addition of a small switch I can now use the phono preamp with both MM and MC cartridges.



Photograph 8: DIY Le Pacific MC PrePre with BHL Phono Preamp Kit

See my review of the [Boozhound Laboratories JFET Phono Preamplifier kit](#) for additional information. If you have any questions about

these phono preamps, feel free to ask them on the forum in the [Le Pacific J-FET Phono Preamp- the original](#).

[Art Dj Pre li Phono Preamp](#)

Buy with our Easy Payment Plan Options! Free Same Day Shipping

[AmericanMusical.com](#)

AdChoices 

Last updated 26 March 2012. Created 10 July 2011. © Mark Houston and diyAudioProjects.com - [Terms of Service](#) - [Privacy Policy](#)