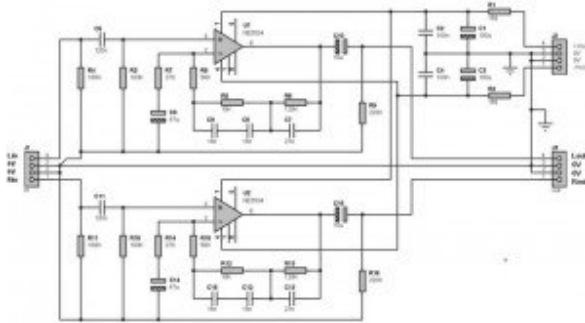


[RIAA Stereo Preamplifier Classic Version based on NE5534](#)



Here the RIAA stereo preamplifier classic version based on NE5534. This setting is intended for use with a vinyl turntable equipped with an analog output (RCA). It provides the dual function of pre-amplification and RIAA correction. This RIAA pre amp circuit is suitable for MM cells (Moving Magnet), and is not suitable for cell MC (Moving Coil). It is slightly more efficient than “RIAA stereo preamplifier classic version, based on the NE5532”.

Read More: [RIAA Stereo Preamplifier Classic Version based on NE5534](#)

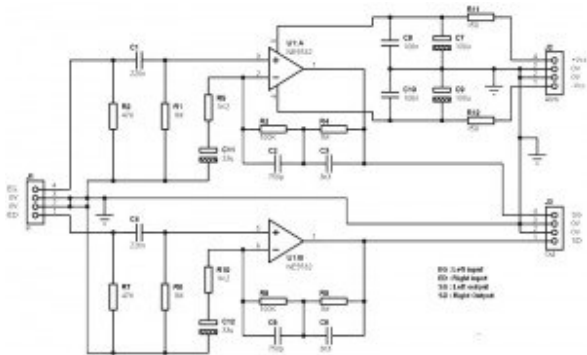
Written by Amplifier Circuit

December 24th, 2011 at 10:03 pm

Posted in [Pre-amplifier](#)

Tagged with [NE5534](#), [RIAA pre amp](#), [RIAA pre amp circuit](#), [RIAA stereo preamplifier](#), [vinyl turntable pre amp](#)

[RIAA Stereo Preamplifier Classic Version based on NE5532](#)



This RIAA stereo preamplifier uses only conventional components, you can easily find components at electronics store. The circuit is intended to be used with a vinyl turntable equipped with analog outputs (RCA). It provides the dual function of preamplifier and RIAA correction. This circuit is suitable for a MM (Moving Magnet), and is not suitable for a MC (Moving Coil).

Read More: [RIAA Stereo Preamplifier Classic Version based on NE5532](#)

Written by Amplifier Circuit

December 22nd, 2011 at 2:57 pm

Posted in [Pre-amplifier](#)

Tagged with [NE5532](#), [NE5532 circuit](#), [RIAA stereo preamplifier](#), [stereo preamplifier](#), [turntable pre amp](#)